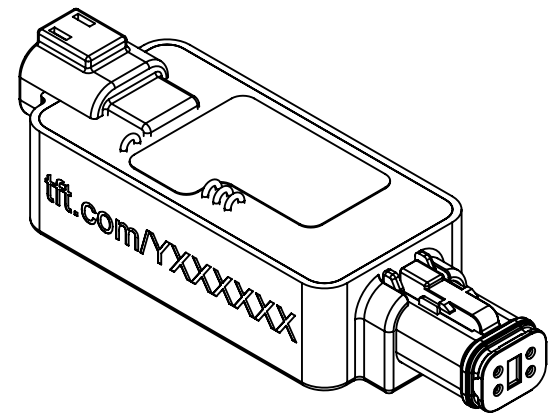
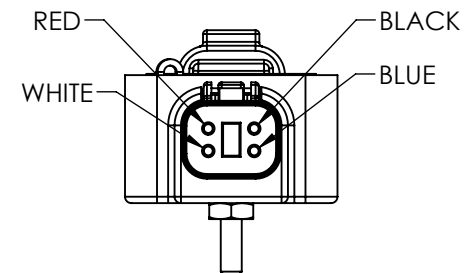
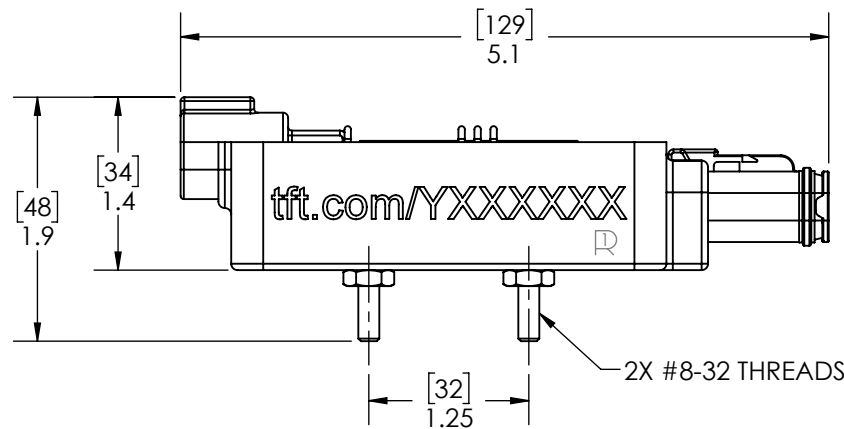
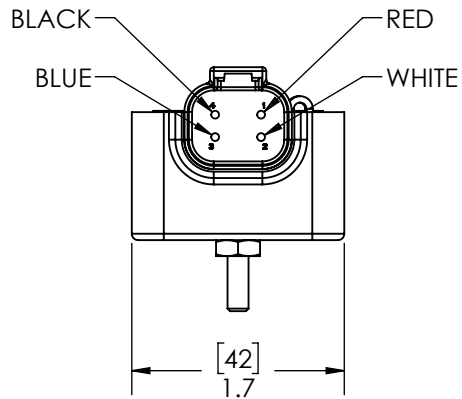



Ⓡ
CANBUS



RS-485
Ⓡ



DIMENSIONS IN INCHES [mm]			
PRINT APPROVED		PRINT CHNG ENG	
9/28/20	TEB	9/25/20	TSM
SCALE: 2:3		REV	DATE INIT
		1	9/25/20 MAS
		PRINT DRAWN	
TASK FORCE TIPS, INC. 3701 INNOVATION WAY VALPARAISO, IN 46383 USA (219)462-6161		4/19/18 MAS	
		DESIGN ENGINEER	
		<i>Tim Miller</i>	

ITEM: YE-CAN2

SHEET
1 of 1

DESCR: MULTIPLEX ADAPTER SMALL PACKAGE

EXTRA DESCR: FOR RC MONITORS AND VUMS