

ITEM NO.	PART NUMBER	DESCRIPTION	QTY.
1	X410-3ASA	FLANGE ALUM 3" ANSI/XF	1
2	X125	CUP SEAL	1
3	X120	WEAR STRIP	1
4	VB.312TO	5/16" TORLON BALL	114
5	VO-130	O-RING 130	1
6	X840	DRAIN VALVE ASSEMBLY	1
7	VT37-24SS375	3/8-24 X 3/8 SOCKET SET SCREW CUP POINT	4
8	VT25-28ZERK	GREASE FITTING 1/4-28	3
9	VO-241	O-RING 241	1
10	VB.312	5/16" STAINLESS BALL	38
11	X339*	ELBOW	1
12	X210	SHAFT NUT	1
13	VR4220	SNAP RING	1
14	VM4252	BEARING	1
15	X220	12 DP WORM	1
16	Y4141	HEADED BUSHING	1
17	VO-016	O-RING 016	1
18	XL106	MODEL NUMBER LABEL	1
19	X355	HEX CAP	1
20	Y7510	FM APPROVED LABEL	1
21	XL107	HURRICANE NAME LABEL	1
22	VT37-16SH625	3/8-16 X 5/8 SOCKET HEAD CAP SCREW	2
23	X363	HANDLE	1
24	VFHP2M	1/4"NPT HEX HEAD PLUG	1
25	X805	BIG BEND/BELL	1
26	X815-Z	CRANK ASSEMBLY	1
27	X225	KEY; 1/8" X 1.00"	1
28	X180	CLEVIS PIN 1/4 X 2	1
29	X137	CLEVIS PIN RETAINER	1
30	VO-117	O-RING 117	1
31	X170	ROTATION LOCK INSERT	1
32	X152	ROTATION LOCK LEVER SPRING	1
33	X821	ROTATIONAL LOCK LEVER/PIN	1
34	X270	ELEVATION SHAFT	1
35	VT25-20BH500	1/4-20 X 1/2 BUTTON HEAD CAP SCREW	2

*** - CONSULT FACTORY FOR SPECIAL THREADS**

ITEM NO. 1 (ADDITIONAL INLET OPTIONS)

X411PL
TRUCK ADAPTER 3.0"NPTF

X414-4ASA
4" ANSI/DN100 PN16 XF

LXX-009

PARTS LIST: HURRICANE

SERVICE AND MAINTENANCE

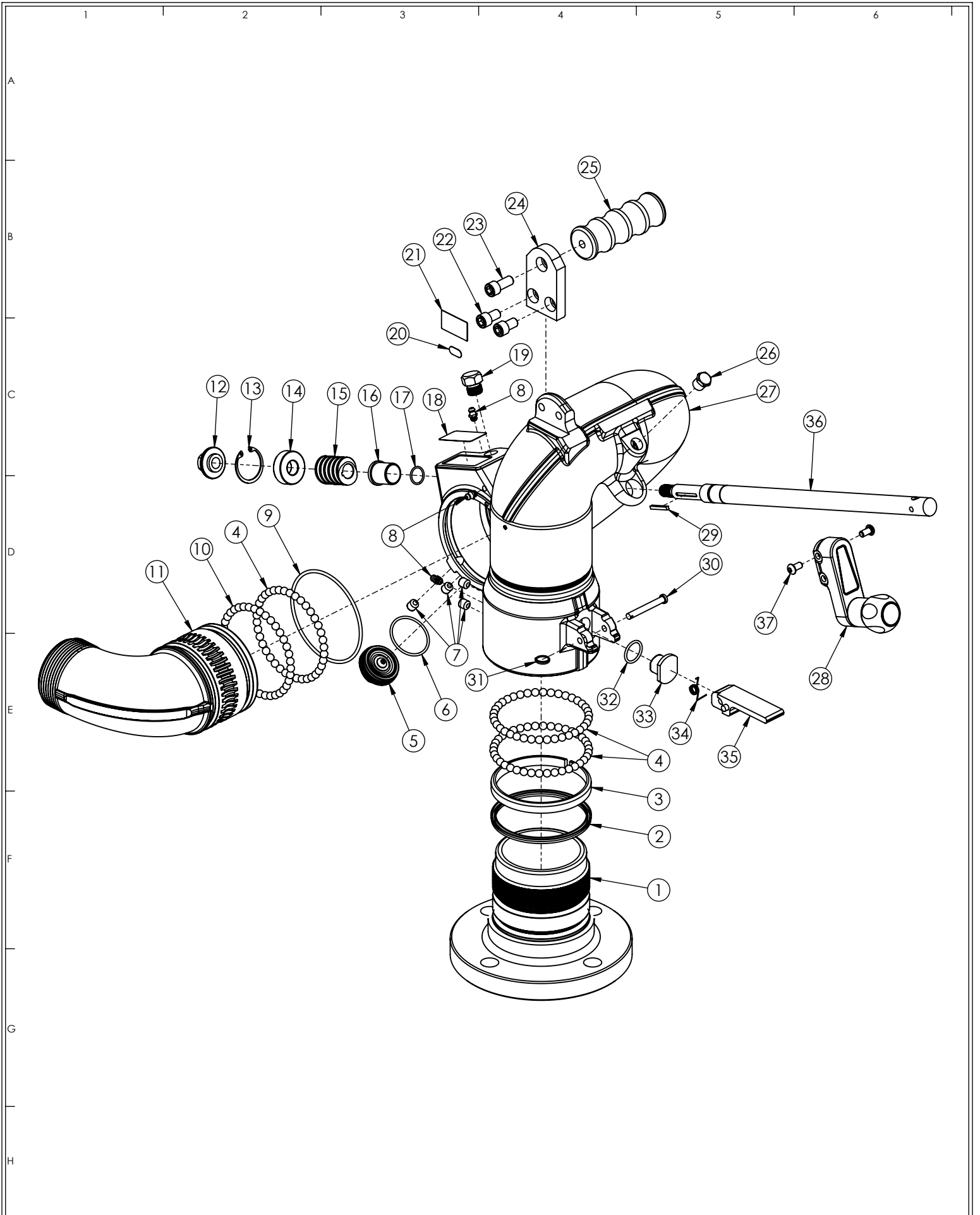
SHEET:
2 of 8

REV: 3

DATE: 5/30/23



TASK FORCE TIPS, LLC.
3701 INNOVATION WAY
VALPARAISO, IN 46383 USA
(219)462-6161



LXX-009

PARTS LIST: HURRICANE
 SERVICE AND MAINTENANCE

SHEET: 3 of 8
 REV: 3
 DATE: 5/30/23



TASK FORCE TIPS, LLC.
 3701 INNOVATION WAY
 VALPARAISO, IN 46383 USA
 (219)462-6161

ITEM NO.	PART NUMBER	DESCRIPTION	QTY.
1	X410-3ASA	FLANGE ALUM 3" ANSI/XF	1
2	X125	CUP SEAL	1
3	X120	WEAR STRIP	1
4	VB.312TO	5/16" TORLON BALL	114
5	X840	DRAIN VALVE ASSEMBLY	1
6	VO-130	O-RING 130	1
7	VT37-24SS375	3/8-24 X 3/8 SOCKET SET SCREW CUP POINT	4
8	VT25-28ZERK	GREASE FITTING 1/4-28	3
9	VO-241	O-RING 241	1
10	VB.312	5/16" STAINLESS BALL	38
11	X339*	ELBOW	1
12	X210	SHAFT NUT	1
13	VR4220	SNAP RING	1
14	VM4252	BEARING	1
15	X220	12 DP WORM	1
16	Y4141	HEADED BUSHING	1
17	VO-016	O-RING 016	1
18	XL106	MODEL NUMBER LABEL	1
19	X355	HEX CAP	1
20	Y7510	FM APPROVED LABEL	1
21	XL107	HURRICANE NAME LABEL	1
22	VT37-16SH625	3/8-16 X 5/8 SOCKET HEAD CAP SCREW	2
23	VT37-16SH875	3/8-16 X 7/8 SOCKET HEAD CAP SCREW	1
24	X365	TOMBSTONE	1
25	X362	PEG	1
26	VFHP2M	1/4"NPT HEX HEAD PLUG	1
27	X805-E	EXTENDED HURRICANE BEND	1
28	X815-Z	CRANK ASSEMBLY	1
29	X225	KEY; 1/8" X 1.00"	1
30	X180	CLEVIS PIN 1/4 X 2	1
31	X137	CLEVIS PIN RETAINER	1
32	VO-117	O-RING 117	1
33	X170	ROTATION LOCK INSERT	1
34	X152	ROTATION LOCK LEVER SPRING	1
35	X821	ROTATIONAL LOCK LEVER/PIN	1
36	X270	ELEVATION SHAFT	1
37	VT25-20BH500	1/4-20 X 1/2 BUTTON HEAD CAP SCREW	2

*** - CONSULT FACTORY FOR SPECIAL THREADS**

ITEM NO. 1 (ADDITIONAL INLET OPTIONS)

X411PL
TRUCK ADAPTER 3.0"NPTF

X414-4ASA
4" ANSI/DN100 PN16 XF

LXX-009

PARTS LIST: HURRICANE

SERVICE AND MAINTENANCE

SHEET:
4 of 8

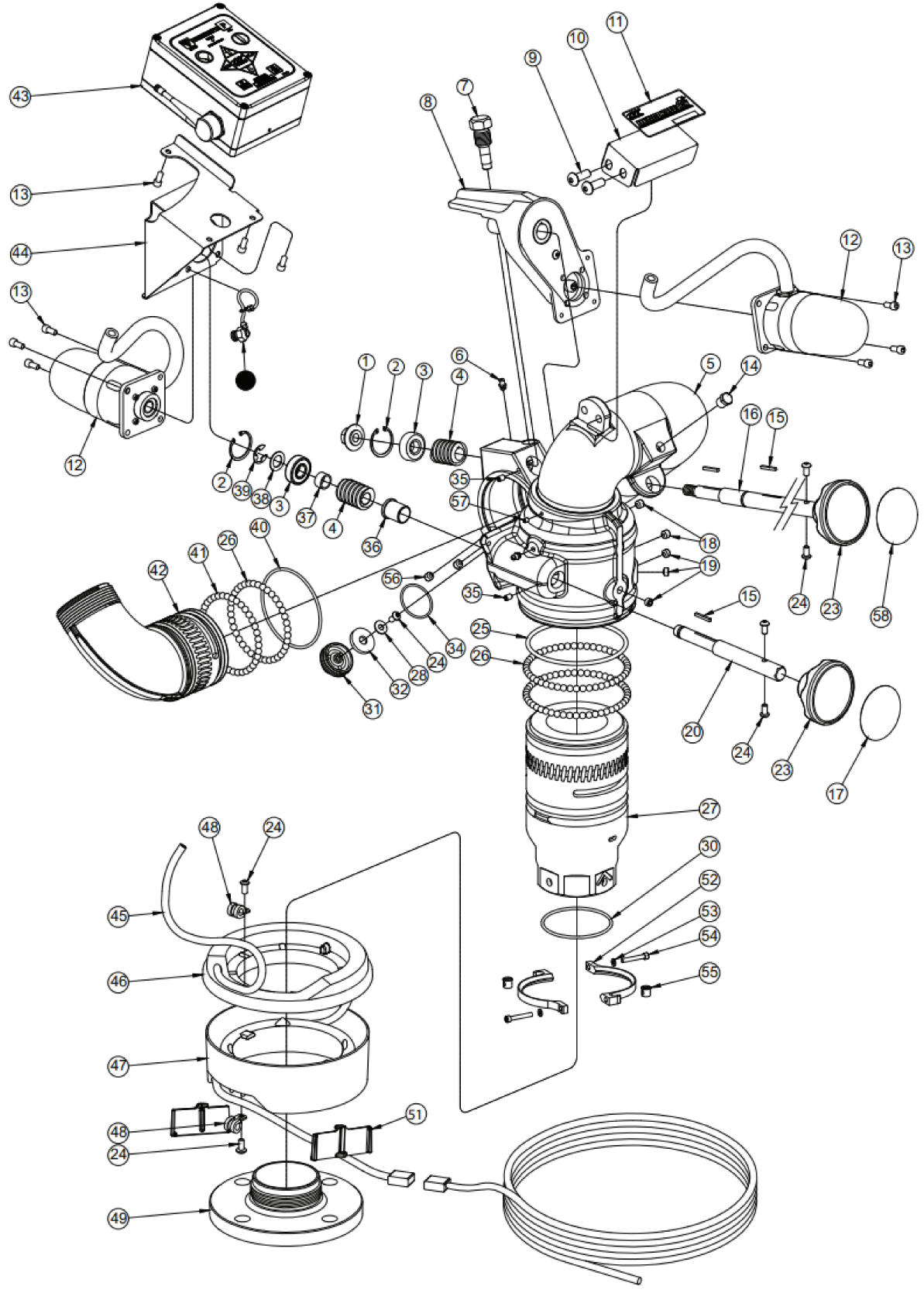
REV: 3

DATE: 5/30/23



TASK FORCE TIPS, LLC.
3701 INNOVATION WAY
VALPARAISO, IN 46383 USA
(219)462-6161

HURRICANE RC MONITOR (XFIH-E SERIES)



LXX-009

PARTS LIST: HURRICANE
SERVICE AND MAINTENANCE

SHEET: 5 of 8
REV: 3
DATE: 5/30/23

TFT TASK FORCE TIPS, LLC.
3701 INNOVATION WAY
VALPARAISO, IN 46383 USA
(219)462-6161

#	DESCRIPTION	QTY	PART #
1	SHAFT NUT	1	X210
2	SNAP RING	2	VR4220
3	BEARING	2	VM4252
4	12 DP WORM	2	X220
5	BELL/BIG BEND	1	X806
6	GREASE FITTING 1/4-28	2	VT25-28ZERK
7	HEX MOUNTING SCREW	1	X258
8	CHAIN DRIVE ASSEMBLY	1	SEE SECTION 9.6
9	3/8-16 X 1 BUTTON HEAD SCREW	2	VT37-16BH1.0
10	LABEL BRACKET	1	X395
11	LABEL: HURRICANE RC	1	YL300
12	GEAR MOTOR ASSEMBLY	2	SEE SECTION 9.7
13	1/4-28 X 1/2 SOCKET HEAD SCREW	9	VT25-28SH500
14	1/4"NPT HEX HEAD PLUG	1	VFHP2M
15	KEY	3	X225
16	ELEVATION SHAFT	1	X272
	SHORTENED ELEVATION SHAFT		X273
17	OVERRIDE KNOB LABEL	2	Y4176
18	3/8-24 X 5/16 SOCKET SET SCREW	2	VT37-24SS312
19	3/8-24 X 3/8 SOCKET SET SCREW	5	VT37-24SS250
20	DRIVE SHAFT	1	Y4160
23	KNOB	2	Z245
24	1/4-20 X 1/2 BUTTON HEAD SCREW	7	VT25-20BH500
25	O-RING-350	1	VO-350
26	BALL 5/16 TORLON (49) PER RACE	136	VB.312TO
27	BASE CODE-RPF 4"	1	Y4400A
	BASE CODE-RLF 3"		Y4405A
	BASE QUICK CONNECT 4.5"NHF SUBASSY.		Y4960
28	FLAT WASHER	1	VW687X281-50
30	VO-RING-244	1	VO-244
	VO-RING-236		VO-236
31	DRAIN HOUSING	1	X375
32	DRAIN VALVE	1	X382
34	O-RING-130	1	VO-130
35	1/4-28 X 3/8 SOCKET SET SCREW	2	VT25-28SS375
36	HEADED BUSHING	1	Y4141
37	SPACER	1	Y4150
38	SPACER WASHER	1	VW97X595-048
39	SMALLEY RING	1	VR4365
40	O-RING-241	1	VO-241
41	5/16" SS BALL (38) PER RACE	39	VB.312
42	ELBOW ALUM 2.5"	1	X333*
43	MONITOR CONTROL BOX SHELL SUBASSY.	1	SEE SECTION 9.8
44	BOX BRACKET	1	X390
45	CABLE - POWER & COMM.	34'	Y5200
46	UPPER WIRE SKIRT	1	Y4650
47	LOWER WIRE SKIRT	1	Y4660
48	LOOP CLAMP 3/8"	2	Y4655
49	FLANGE 3"ANSI150 X CODE-RLM	1	Y4410A
51	WIRE SKIRT RETAINER	2	Y4661
52	4" MONITOR BASE CLAMP	2	Y4435
	3" MONITOR BASE CLAMP		Y4436
53	WASHER	2	VW360X200-04
54	10-24 X 1 1/4 SOCKET HEAD SCREW	2	VT10-24SH1.2
55	CYLINDER NUT	2	Y4437
56	3/8-24 X 5/16 SOCKET SET SCREW	2	VT37F24SS312
57	10-32 X 1/4 SOCKET SET SCREW	1	VT10-32SS250
* - CONSULT FACTORY FOR SPECIAL THREADS			

LXX-009

PARTS LIST: HURRICANE

SERVICE AND MAINTENANCE

SHEET:
6 of 8

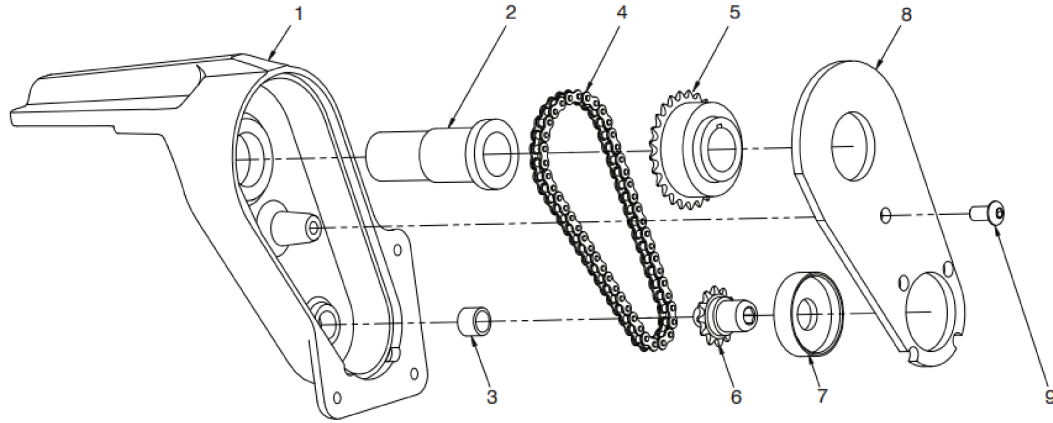
REV: 3

DATE: 5/30/23



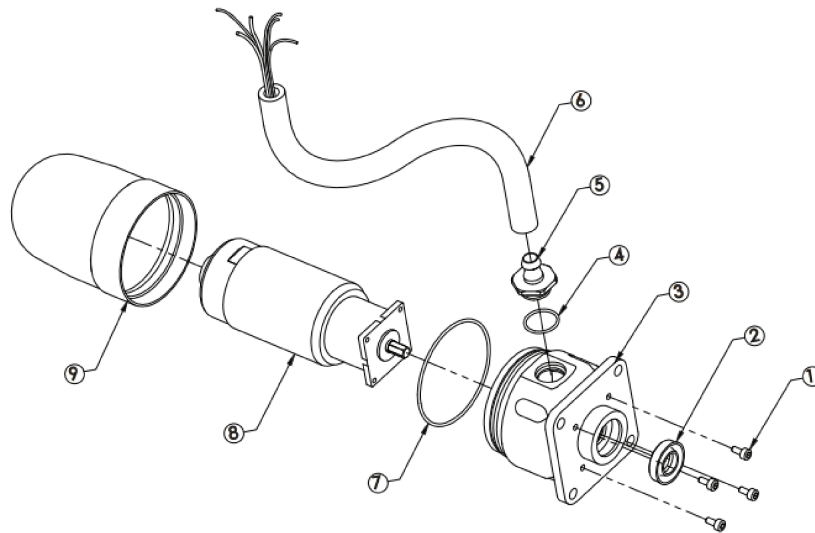
TASK FORCE TIPS, LLC.
3701 INNOVATION WAY
VALPARAISO, IN 46383 USA
(219)462-6161

ELEVATION CHAIN DRIVE ASSEMBLY



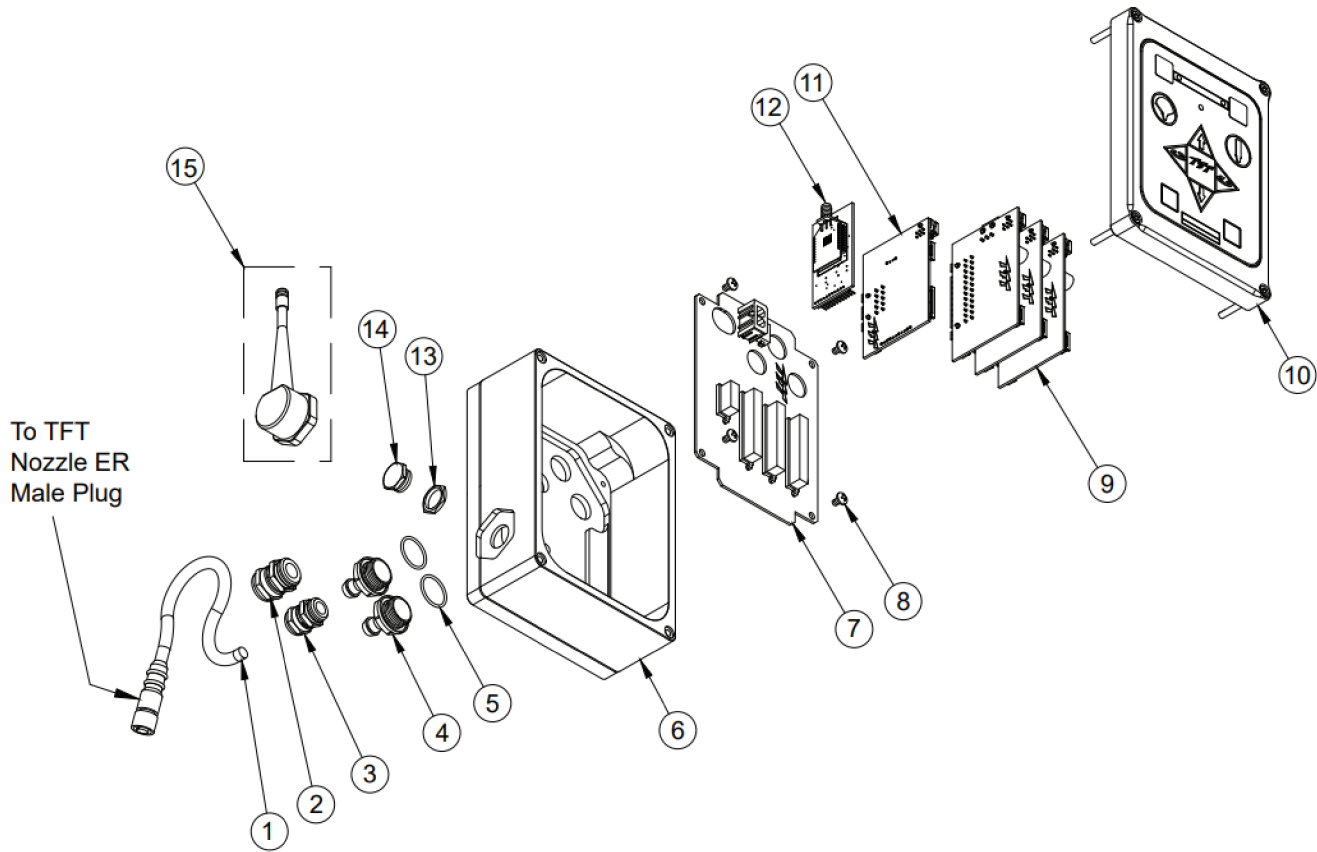
#	DESCRIPTION	QTY	PART #
1	HOUSING	1	X250
2	BUSHING - SHAFT	1	X251
3	BUSHING - DRIVE	1	X252
4	ROLLER CHAIN RING	1	X255
5	SPROCKET - SLAVE	1	X254
6	SPROCKET - DRIVE	1	X253
7	BUSHING - MOTOR	1	X256
8	COVER	1	X257
9	1/4-28 x 1/2 BHCS	1	VT25-28BH500

GEAR MOTOR ASSEMBLY



#	DESCRIPTION	QTY	PART #
1	6-32 x 5/16 LONG SHCS WITH HEAD SEAL	4	VT06S32SH312
2	CUP SEAL 1.0625 x .5625 x 1/4	1	Y4620
3	MOTOR SOCKET	1	Y4615
4	O-RING-018	1	VO-018
5	CONDUIT FITTING	1	Y5213
6	HOSE - 3/8" ID PUSH-LOK	1	Y5250
7	O-RING-038	1	VO-038
8	GEAR MOTOR WITH ENCODER	1	Y4611
9	ENCLOSURE	1	Y4616

MONITOR CONTROL BOX ASSEMBLY



#	DESCRIPTION	QTY	PART #
1	CABLE - 6 POLE FEMALE PLUG	10" TOTAL LENGTH USED	Y5475
	FOR HURRICANE RC NOZZLE CONNECTION	5" EXPOSED CABLE (NOT INCLUDING PLUG)	
2	PG11 STRAIN RELIEF	1	Y5205
3	PG9 STRAIN RELIEF	1	Y5245
4	CONDUIT FITTING	2	Y5213
5	O-RING-018	2	VO-018
6	ENCLOSURE BOX	1	Y5116B
7	MAIN BOARD	1	Y5105
8	M4-0.7 X 6MM PHILLIPS HEAD SCREW	4	VTM4-0.7PH6
9	MOTOR CONTROL BOARD	3	Y5100
10	MONITOR CONTROL BOX SHELL - SUBASSEMBLY	1	Y5801-LID
11	COMMUNICATION BOARD	1	Y5110-B
*12	RADIO + ADAPTER XBEE TO XSTREAM 900 MHZ RADIO	1	Y5891
	RADIO + ADAPTER XBEE TO XSTREAM 2.4 GHZ RADIO		Y5893
13	PG9 LOCKNUT	1	Y5246
14	PG9 HEX PLUG	1	Y5248
*15	900/920 MHZ ANTENNA W/FITTING & CONN. SUBASSY.	1	Y5897
	2.4 GHZ ANTENNA ADAPTER W/CONN. SUBASSY.		Y5898
	* Optional		