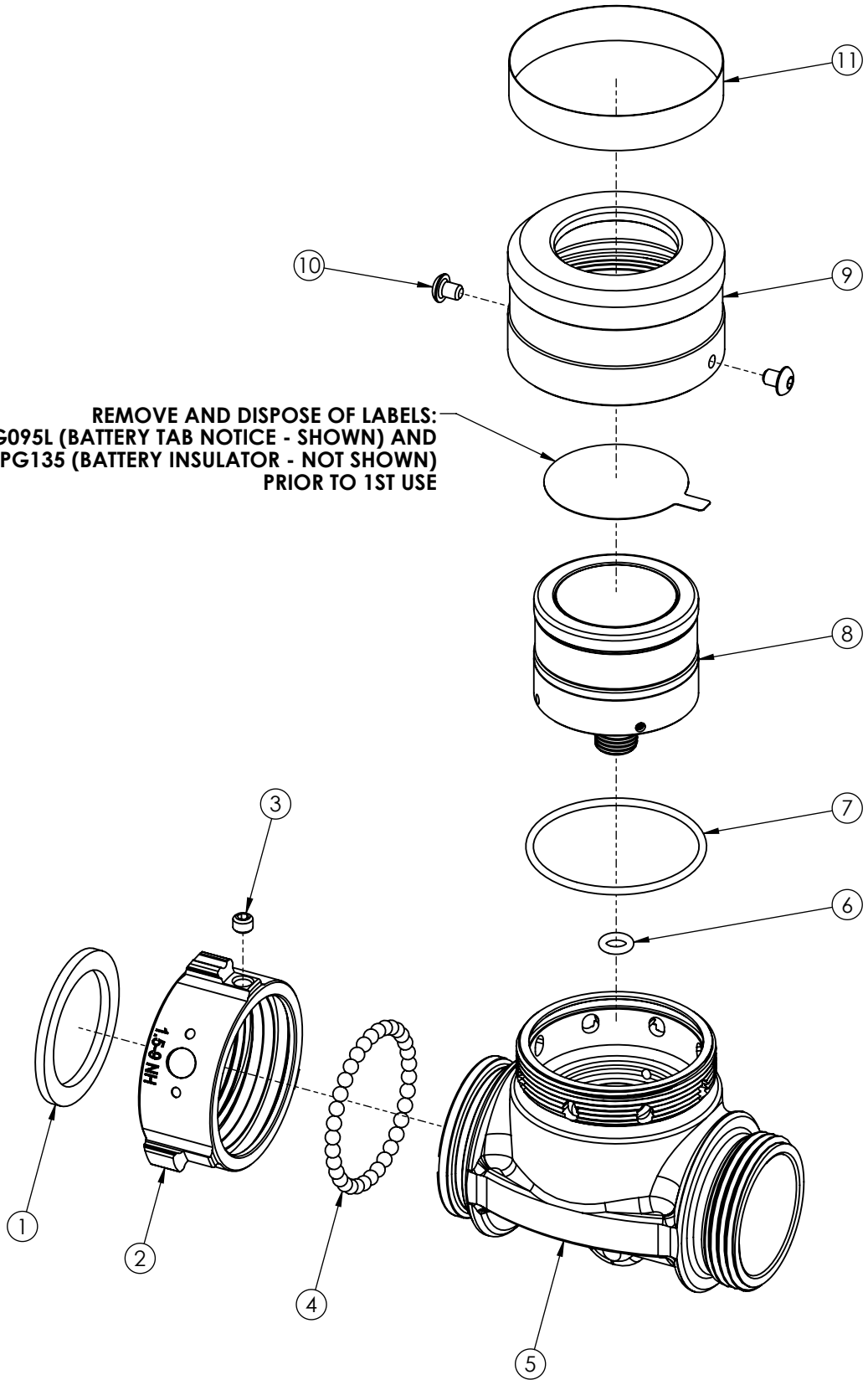


1 2 3 4 5 6

A
B
C
D
E
F
G
H

**REMOVE AND DISPOSE OF LABELS:
EPG095L (BATTERY TAB NOTICE - SHOWN) AND
EPG135 (BATTERY INSULATOR - NOT SHOWN)
PRIOR TO 1ST USE**



LXF-004

PARTS LIST: BLUETOOTH LINE PRESS GAUGE	
MAINTENANCE AND SERVICE	

SHEET: 1 of 2	REV: 0
DATE: 4/14/22	



TASK FORCE TIPS, LLC.
3701 INNOVATION WAY
VALPARAISO, IN 46383 USA
(219)462-6161

1 2 3 4 5 6

A
B
C
D
E
F
G
H

PART NUMBER	ITEM NO.	DESCRIPTION	QTY.
V3130	1	GASKET - 1.5" HOSE COUPLING	1
A4797*	2	COUPLING 1.5"F ROCKERLUG	1
VT25-28SS187	3	1/4-28 X 3/16 SOCKET SET SCREW CUP POINT	1
V2120(34)	4	3/16" BALL - 302 STAINLESS STEEL	34
F150	5	1.5" IN-LINE GAUGE BODY	1
VO-108	6	O-RING 108	1
VO-137	7	O-RING 137	1
EPG300	8	ELECTRONIC PRESSURE GAUGE 1/4" NPTM	1
F171	9	1.5" IN-LINE BT GAUGE COVER	1
VT10-32BH250	10	10-32 X 1/4 BUTTON HEAD CAP SCREW	2
F161L300	11	NAME LABEL: 1.5" IN-LINE 300 PSI GAUGE	1

LXF-004

PARTS LIST: BLUETOOTH LINE PRESS GAUGE

MAINTENANCE AND SERVICE

SHEET:
2 of 2

REV: 0

DATE: 4/14/22



TASK FORCE TIPS, LLC.
3701 INNOVATION WAY
VALPARAISO, IN 46383 USA
(219)462-6161