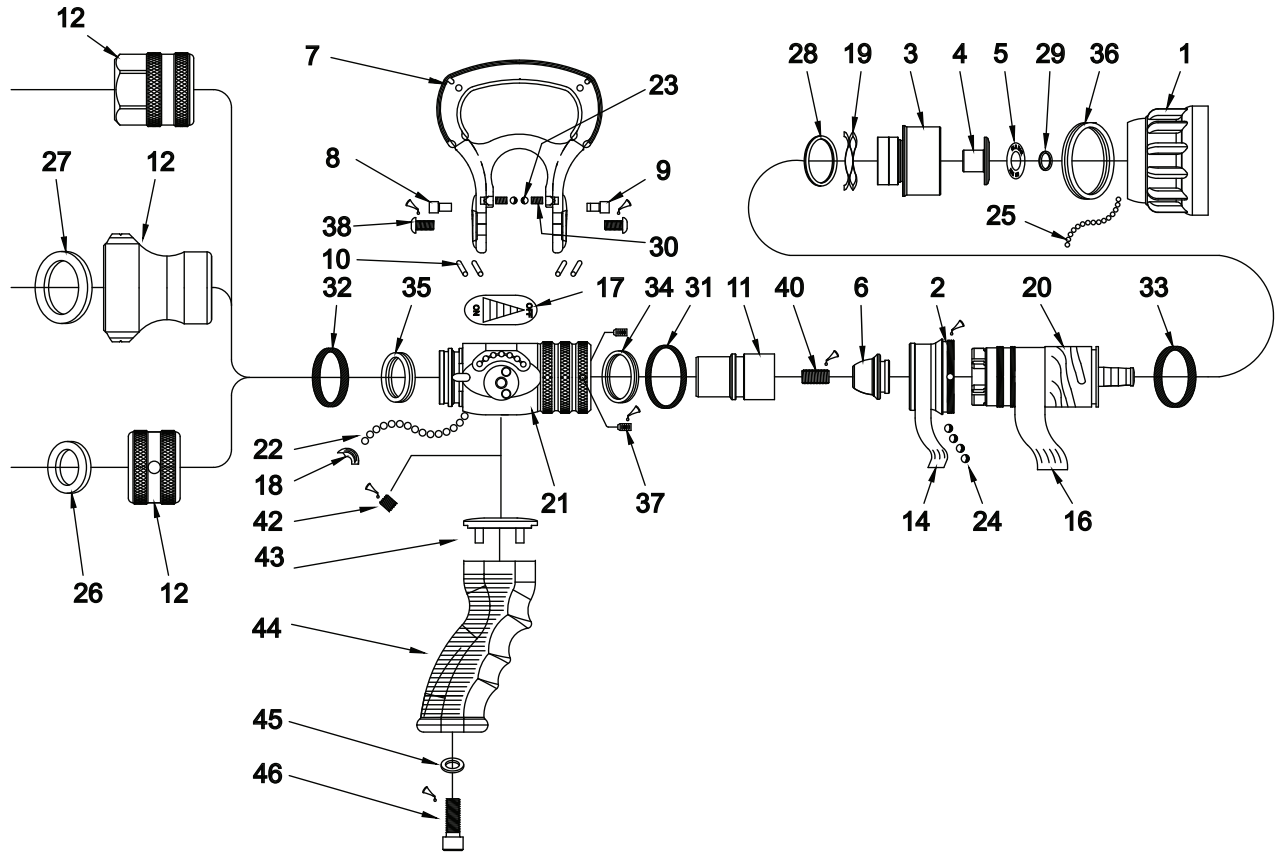


ICE-CONTROL NOZZLE VALVED MODELS

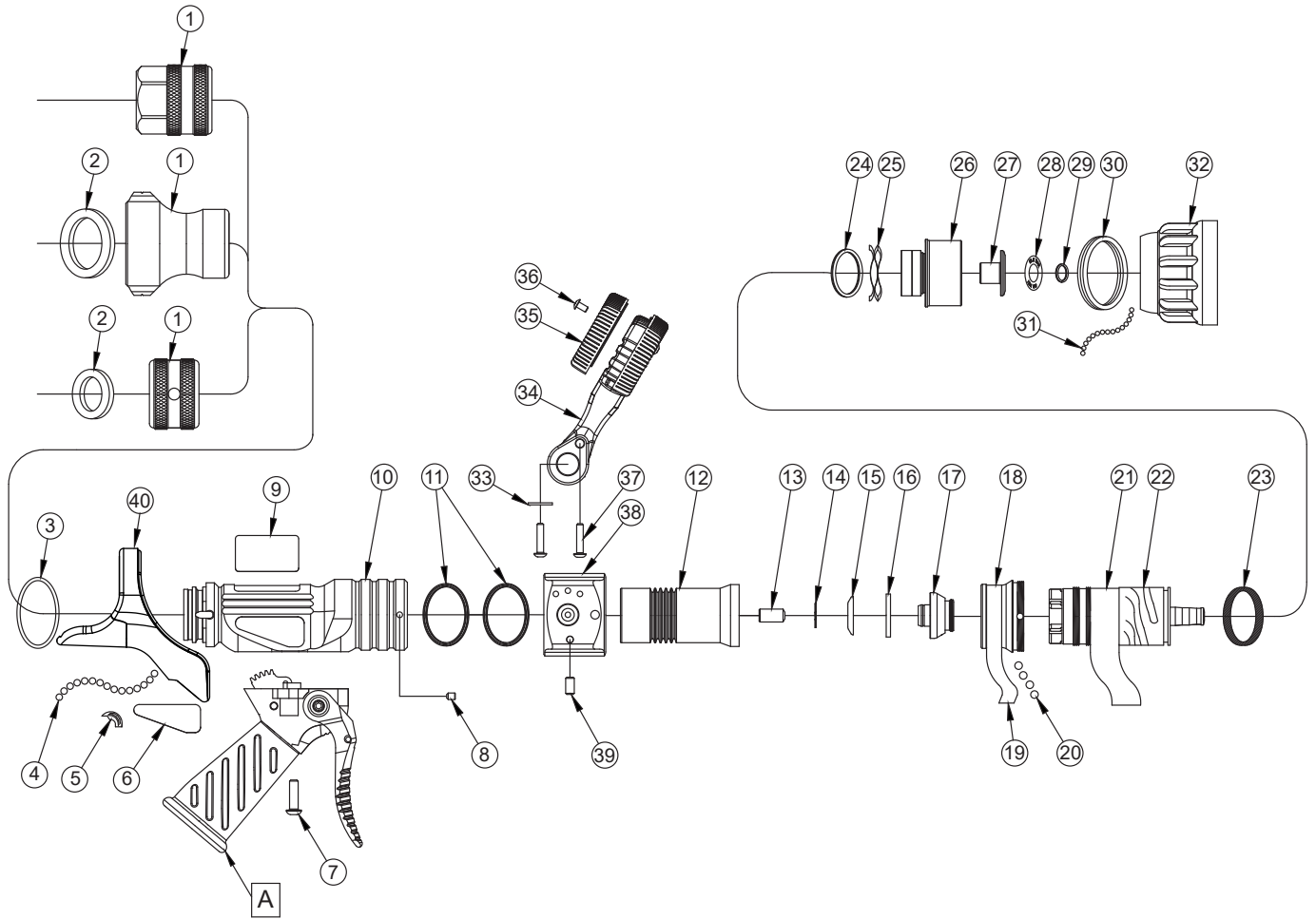


REF#	QTY	DESCRIPTION	PART #	(g) BH-HT100-PD (h) BGH-HT120-PD (i) BGH-HT150-PD (j) BH-HT150-PD (l) BH-HT120-PD (m) BH-HT120-IF (o) BGH-HT1502PD (p) BGH-HT1503PD
1	1	BUMPER NO TEETH	B504	
2	1	SHAPER GUIDE	B510	
3	1	BARREL CONE	B524	
4	1	BAFFLE	B560	
5	1	SPRING WASHER 75 PSI	B567 (e,n)	
	1	SPRING WASHER 50 PSI	B568 (a,b,c,d,k)	
	1	WASHER	B561 (o)	
	1	WASHER 20GPM @ 50PSI & 80GPM @ 120PSI	B563 (h,l,m)	
	1	SPRING WASHER 100 PSI	B565 (f,g)	
	1	SPRING WASHER 150 PSI	B566 (i,j)	
	1	150 PSI SPRING WASHER	B559 (p)	
6	1	HIGH-TEMP NOSE CONE	B594	
7	1	WIDE HANDLE	B622	
	4	#8-32X3/8 BUTTON HEAD SCREW	VT08E32BH375	
	2	HANDLE COVER	HM625-BLK	
8	1	CAM SCREW	B630	
9	1	SAFETY SCREW	B635	
10	4	DRAG NUBS	B650	

— Continued on next page —

REF#	QTY	DESCRIPTION	PART # a) BGH-HT50 (b) BH-HT50 (c) BGH-HT50-DS (d) BGH-HT50-PD (e) BGH-HT75-PD (k) BH-HT50-IF (n) BH-HT75 (f) BGH-HT100-PD	(g) BH-HT100-PD (h) BGH-HT120-PD (i) BGH-HT150-PD (j) BH-HT150-PD (l) BH-HT120-PD (m) BH-HT120-IF (o) BGH-HT1502PD (p) BGH-HT1503PD
11	1	SPECIAL AGENT SLIDER	B662	
12	1	1.0" TAPER PIPE COUPLING	B668 (d,e,f,g,h,i,l,o)	
	1	1.5" NH ROCKER LUG	B694N (a,b,n)	
	1	1.5" NPSH ROCKER LUG	B694I (k,m)	
	1	CODE DS COUPLING 1 5/16-12	B680DS (c)	
14	1	NAME LABEL - ICE CONTROL	B727	
16	1	BARREL LABEL	B740	
17	1	VALVE LABEL	B750	
18	1	PORT PLUG	B770	
19	1	FLUSH WAVE SPRING	B785	
20	1	BARREL	B540	
	1	SHAFT	B570 (e,f,g,h,i,j,l,m,n,o,p)	
	1	TYPE 2 SHAFT	B574 (a,b,c,d,k)	
	1	HIGH TEMP SPRING CAN	B584	
	1	CONTROL SPRING 100 PSI	B760 (a,b,c,d,f,g,h,i,k,l)	
	1	FORESTRY SPRING 75 PSI	B765 (e,n)	
	1	CONTROL SPRING 150 PSI	B766 (i,j)	
	1	CONTROL SPRING 1502	B767 (o)	
1	150 PSI SPRING SPACER	B572 (h,i,j,l,m,o,p)		
21	1	VALVE ASSEMBLY	B910	
22	28	3/16" DIA. STAINLESS BALL	V2120	
23	2	3/16" DIA. TORLON BALL	V2120-TORLON	
24	4	SHAPER BULLETS	B501	
25	46	1/8" DIA. NYLON BALL	V2135	
26	1	1.0" COUPLING GASKET	V3040	
27	1	1.5" COUPLING GASKET	V3130	
28	1	WS-128-F-S02 SMALLEY RING	V4270	
29	1	WSM-50-S02 SMALLEY RING	V4280	
30	2	SPRING #C0180-032-0310-S	VM4195	
31	1	O-RING-030	VO-030	
32	1	O-RING-127	VO-127	
33	1	O-RING-128	VO-128	
34	1	QUADX-4124	VOQ-4124	
35	1	QUADX-4216	VOQ-4216	
36	1	QUADX-4225	VOQ-4225	
37	2	#10-32 x 3/16" SOCKET SET SCREW	VT10Y32SS187	
38	2	5/16-18 x 1/2" BUTTON HEAD	VT31E18BH500	
40	1	HI TEMP NOSE CONE INSERT PLUG	B599	
42	1	3/8-16 X 5/16 SOCKET SET	VT37-16SS312	
43	1	GRIP SPACER - ULTIMATIC	HM693-U	
44	1	PISTOL GRIP - BLACK	HM692-BLK	
	1	GRIP COLOR CODED SUBASSEMBLY RED W/ YELLOW & GREEN W/YELLOW STRIPE	HM990U-RED-Y AND HM990U-GRN-Y	
45	1	WASHER	VM4901	
46	1	3/8-16 X 1.00 SHCS	VT37-16SH1.0	

ICE-CONTROL IMPULSE TRIGGER NOZZLE MODELS

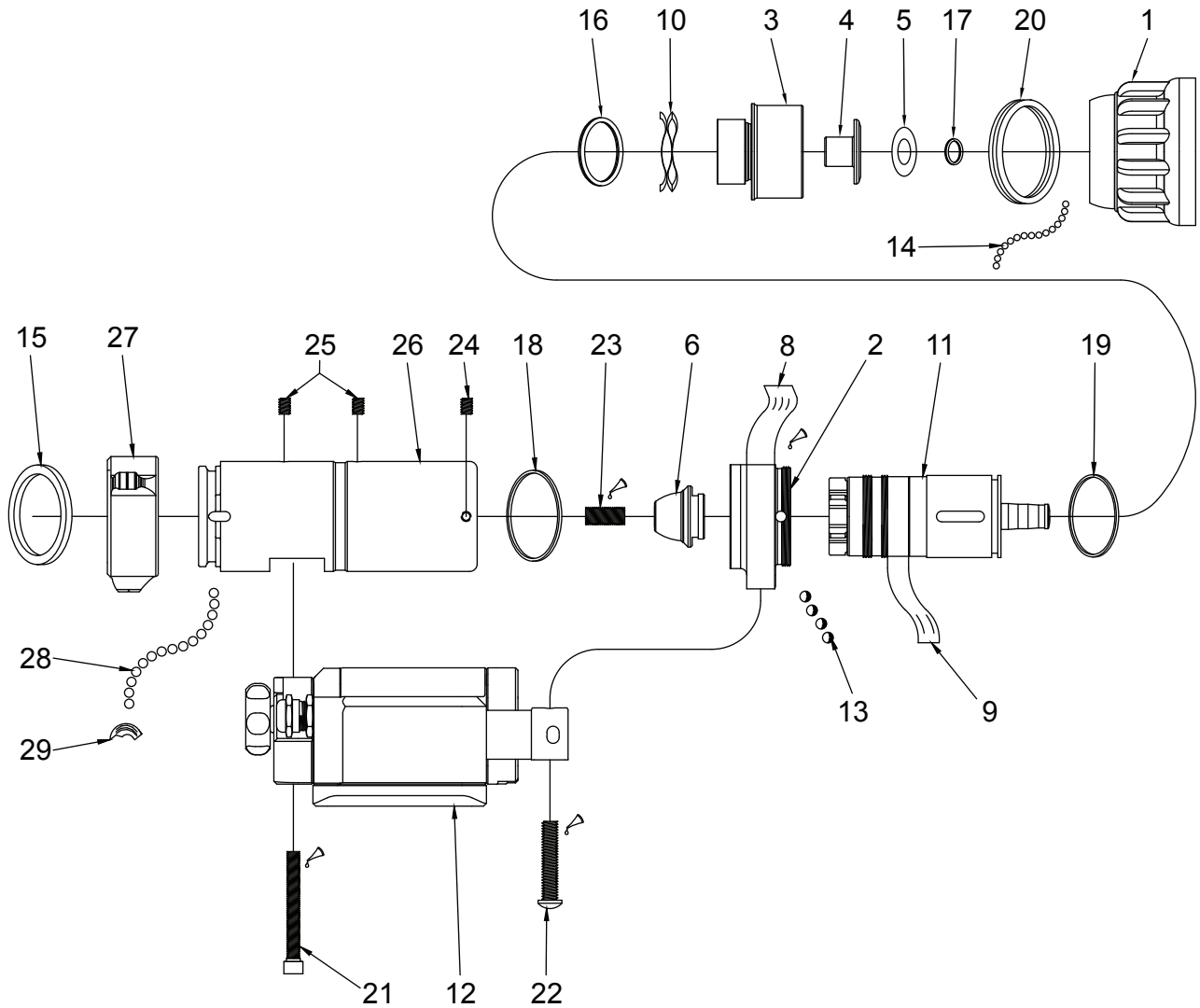


INDEX	DESCRIPTION	QTY.	PART #
1	1.0" TAPER PIPE COUPLING	1	B668
	1.5" NH ROCKER LUG		B694N
	1.5" NPSH ROCKER LUG		B694I
	CODE DS COUPLING 1 5/16-12		B680DS
2	1.0" COUPLING GASKET	1	V3040
	1.5" COUPLING GASKET		V3130
3	O-RING 127	1	VO-127
4	3/16" SS BALL	28	V2120
5	PORT PLUG	1	B770
6	LABEL: LEFT	1	TN600LL
	LABEL: RIGHT	1	TN600LR
7	1/4-20 X 7/8 BUTTON HEAD SCREW	2	VT25-20BH875
8	10-32 X 3/16 SOCKET SET SCREW	2	VT10-32SS187
9	LABEL: TOP	1	TN600LT
10	VALVE BODY	1	TN600B
11	QUAD-RING 4125	2	VOQ-4125
12	ICE-CONTROL SLIDER	1	TN661B
13	3/8-24 X 3/4 SOCKET SET SCREW	1	VT37-24SS750
14	WSM-62 SMALLEY RING	1	VR4375
15	RETAINER	1	TN595
16	VALVE GASKET	1	TN591

INDEX	DESCRIPTION	QTY.	PART #
17	VALVE PLUG CONE	1	TN594
18	SHAPER GUIDE	1	B510
19	NAME LABEL - ICE CONTROL	1	B727
20	SHAPER BULLETS	4	B501
21	BARREL LABEL	1	B740
22	BARREL	1	B540
	SHAFT	1	B570
	TYPE 2 SHAFT	1	B574
	HIGH TEMP SPRING CAN	1	B584
	CONTROL SPRING 100 PSI	1	B760
	FORESTRY SPRING 75 PSI	1	B765
	CONTROL SPRING 150 PSI	1	B766
	CONTROL SPRING 1502	1	B767
	150 PSI SPRING SPACER	1	B572
	O-RING 115	1	VO-115
WSM-50-S02 SMALLEY RING	1	V4280	
23	O-RING-128	1	VO-128
24	WS-128-F-S02 SMALLEY RING	1	V4270
25	FLUSH WAVE SPRING	1	B785
26	BARREL CONE	1	B524
27	BAFFLE	1	B560
28	SPRING WASHER 75 PSI	1	B567
	SPRING WASHER 50 PSI		B568
	SPRING WASHER 20 GPM & 50 PSI/40 GPM @ 150 PSI		B561
	SPRING WASHER 20 GPM @ 50 PSI/80 GPM @ 120 PSI		B563
	SPRING WASHER 100 PSI		B565
	SPRING WASHER 150 PSI		B566
	SPRING WASHER 20-25 GPM @ 150 PSI		B559
29	WSM-50-S02 SMALLEY RING	1	V4280
30	QUAD-RING 4225	1	VOQ-4225
31	.119" DIA. NYLON BALL	46	VB119NY
32	BUMPER NO TEETH	1	B504
33	WASHER STAINLESS	2	VW700X203-60
34	140 SHUTOFF HANDLE	1	F14060
35	HANDLE COVER	2	HM625*
36	8-14 X 3/4 PUSH TITE BUTTON HEAD	4	VT08-14PT375
37	10-32 X 7/8 BUTTON HEAD CAP SCREW	4	VT10-32BH750
38	HANDLE MOUNT	1	TN602
39	1/4-20 X 1/2 SOCKET SET SCREW CUP POINT	2	VT25-20SS500
40	HEAT SHIELD	1	TN605
A	TRIGGER GRIP SUBASSEMBLY	1	TN900
	HIGH PRESSURE TRIGGER GRIP SUBASSEMBLY		TN900HP
	EXTENDED TRIGGER GRIP SUBASSEMBLY		TN900ET

* Contact TFT for Different Handle Cover Colors

ICE-CONTROL NOZZLE ELECTRIC REMOTE MODEL



REF#	QTY	DESCRIPTION	PART # (a) BER-HT75 (b) BER-HT120 (c) BER-HT150	(d) BER-HT1501 (i) BER-HT1502 (j) BERP-HT150
1	1	BUMPER / NO TEETH	B504	
2	1	ER SHAPER GUIDE	B514	
3	1	BARREL CONE	B524	
4	1	BAFFLE	B560	
5	1	75 PSI SPRING WASHER	B567 (a)	
	1	WASHER 20GPM @ 50PSI & 80GPM @ 120PSI	B563 (b)	
	1	150 PSI SPRING WASHER	B566 (c,j)	
	1	SPRING WASHER - SPECIAL	B562 (d)	
	1	WASHER 20GPM@50PSI 40GPM@150PSI	B561 (i)	
6	1	HIGH TEMP NOSE CONE	B597	
7	1	ER T.O. BASE - LASERED	B664	
8	1	ICE-CONTROL NAME LABEL	B727	
9	1	BARREL LABEL	B740	
10	1	FLUSH WAVE SPRING	B785	

— Continued on next page —

REF#	QTY	DESCRIPTION	PART # (a) BER-HT75 (b) BER-HT120 (c) BER-HT150	(d) BER-HT1501 (i) BER-HT1502 (j) BERP-HT150
11	1	LINEAR BARREL	B544	
	1	SHAFT	B570	
	1	HI-TEMP SPRING CAN	B584	
	1	SPRING SPACER - .100 THICK	B572 (b,c,d,i,j)	
	1	SPRING 80 GPM @ 120 PSI	B763 (b)	
	1	FORESTRY SPRING 75 PSI	B765 (a)	
	1	CONTROL SPRING 150 PSI	B766 (c,d,j)	
	1	CONTROL SPRING 1502	B767 (i)	
	1	O-RING-115	VO-115	
12	1	ACTUATOR ULTIMATIC 2-WIRE - SUBASSEMBLY	Y6201-B	
	1	ACTUATOR ULTIMATIC 6-PIN PLUG- SUBASSEMBLY	Y6200-B	
13	4	SHAPER BULLETS	B501	
14	46	1/8 BALL - #101 NYLON	V2135	
15	1	COUPLING GASKET 1.5"	V3130	
16	1	WS-128-F-S02 SMALLEY RING	V4270	
17	1	WSM-50-S02 SMALLEY RING	V4280	
18	1	O-RING-030	VO-030	
19	1	O-RING-128	VO-128	
20	1	QUAD RING-225	VOQ-4225	
21	2	1/4-20 x 2-1/4 SOCKET HEAD CAP SCREW	VT25-20SH2.2	
22	1	5/16-18 x 1-7/16 BUTTON HEAD CAP SCREW	VT31-18BH1.4	
23	1	3/8-24 X 3/4 SOCKET SET SCREW	VT37-24SS750	
24	2	10-32 X 1/4 SOCKET SET SCREW NYLON PATCH	VT10Y32SS250	
25	2	1/4-20 X 3/8 SOCKET SET SCREW	VT25-20SS375	
26	1	BASE ER SWIVEL	B663	
27	1	1.5"NH ROCKER LUG	F10097N	
28	34	3/16" DIA. STAINLESS BALL	V2120	
29	1	PORT PLUG	B770	