

LXA-010

PARTS LIST: OASIS HYDRANT ASSIST VALVE
 MAINTENANCE AND SERVICE

SHEET: 1 of 6
 REV: 0
 DATE: 7/8/24



TASK FORCE TIPS, LLC.
 3701 INNOVATION WAY
 VALPARAISO, IN 46383 USA
 (219)462-6161

A

B

C

D

E

F

G

H

ITEM NO.	PART NUMBER	DESCRIPTION	QTY.
1	A1638	OASIS FOLDING HANDLE GEARBOX SUBASSEMBLY	1
2	VT37-16SH1.7	3/8-16 X 1-3/4 SOCKET HEAD CAP SCREW	4
3	VO-128	O-RING 128	1
4	A2041	PORT LABEL: TO RELAY PUMP INLET	1
5	A2040	PORT LABEL: HYDRANT	1
6	A1028S	HALF BALL SELF-DRAIN 5.5"DIA	1
7	A2037	MOUNTING FOOT	4
8	A1520	VALVE SEAT	2
9	XG410	3/4"NPTM HEX SOCKET PLUG	1
10	VO-115	O-RING 115	1
11	AY353	LOWER TRUNNION	1
12	SEE SHEET 6	INLET-OUTLET OPTION	4
13	A2935	CLAPPER SUBASSEMBLY	1
14	A2010	OASIS BODY	1
15	A2039	PORT LABEL: FROM RELAY PUMP	1
16	VO-243	O-RING 243	2
17	VFSP1M-SS	1/8"NPT PLUG - HEX SOCKET	2
18	A2038	PORT LABEL: TO FIRE	1
19	A2012	LABEL: CLAPPER POSITION INDICATOR	1
20	VT25-20SS500	1/4-20 X 1/2 SOCKET SET SCREW CUP POINT	4

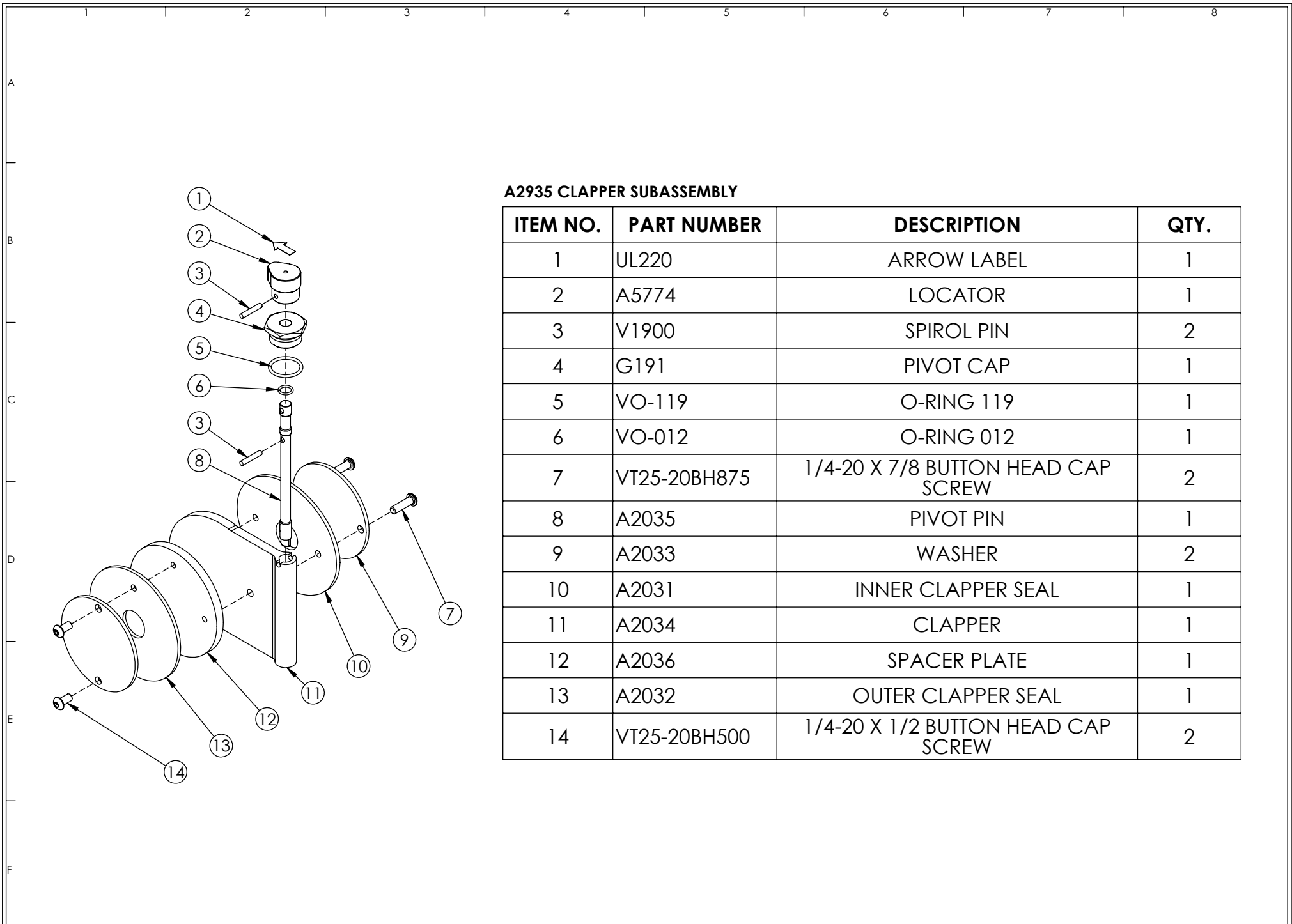
LXA-010

PARTS LIST: OASIS HYDRANT ASSIST VALVE
 MAINTENANCE AND SERVICE

SHEET: 2 of 6
 REV: 0
 DATE: 7/8/24



TASK FORCE TIPS, LLC.
 3701 INNOVATION WAY
 VALPARAISO, IN 46383 USA
 (219)462-6161



A2935 CLAPPER SUBASSEMBLY

ITEM NO.	PART NUMBER	DESCRIPTION	QTY.
1	UL220	ARROW LABEL	1
2	A5774	LOCATOR	1
3	V1900	SPIROL PIN	2
4	G191	PIVOT CAP	1
5	VO-119	O-RING 119	1
6	VO-012	O-RING 012	1
7	VT25-20BH875	1/4-20 X 7/8 BUTTON HEAD CAP SCREW	2
8	A2035	PIVOT PIN	1
9	A2033	WASHER	2
10	A2031	INNER CLAPPER SEAL	1
11	A2034	CLAPPER	1
12	A2036	SPACER PLATE	1
13	A2032	OUTER CLAPPER SEAL	1
14	VT25-20BH500	1/4-20 X 1/2 BUTTON HEAD CAP SCREW	2

LXA-010

PARTS LIST: OASIS HYDRANT ASSIST VALVE
 MAINTENANCE AND SERVICE

SHEET:
3 of 6

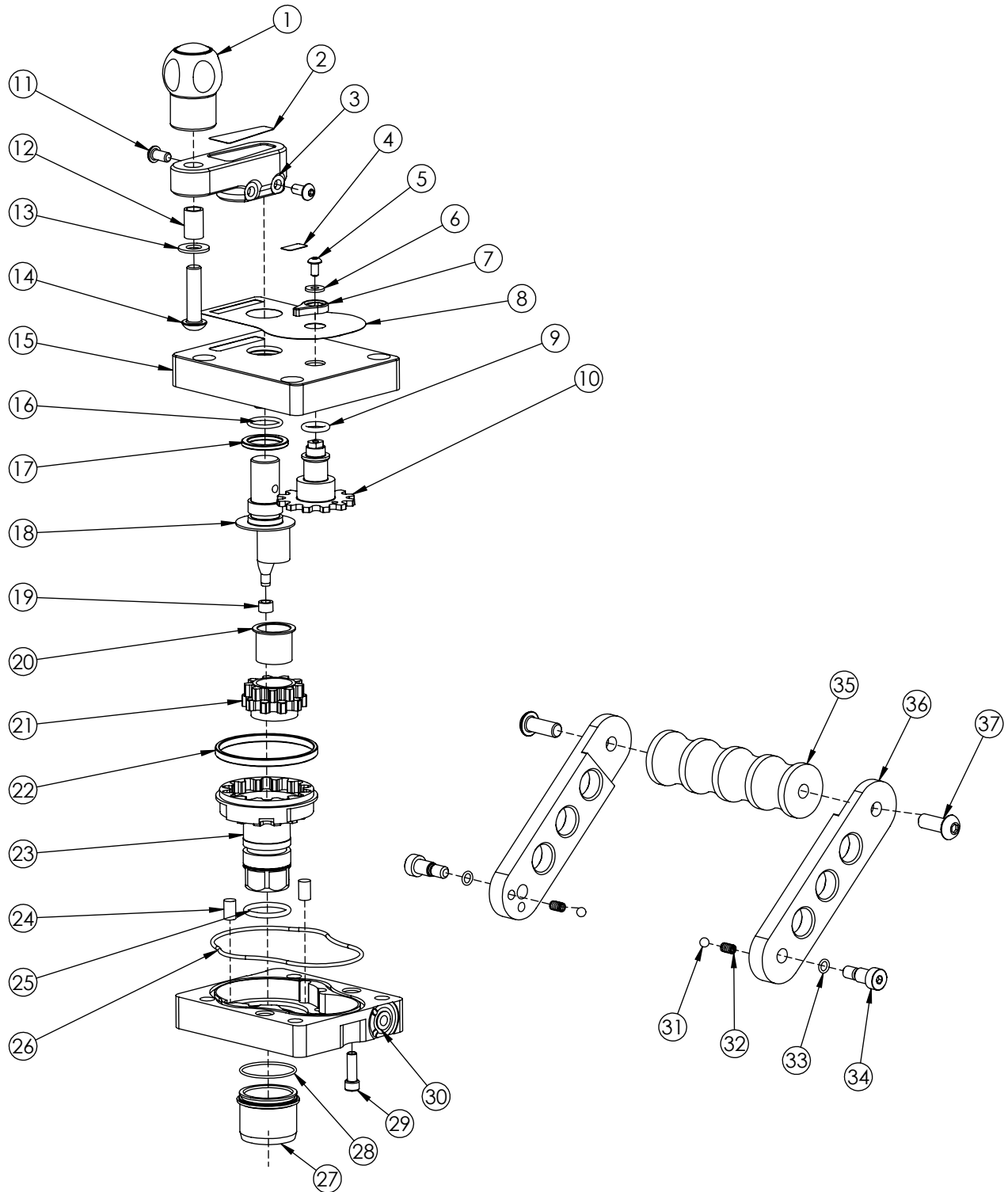
REV: 0

DATE: 7/8/24



TASK FORCE TIPS, LLC.
 3701 INNOVATION WAY
 VALPARAISO, IN 46383 USA
 (219)462-6161

A1633 PARALLEL DRIVE GEARBOX SUBASSEMBLY



A1633 PARALLEL DRIVE GEARBOX SUBASSEMBLY

ITEM NO.	PART NUMBER	DESCRIPTION	QTY.
1	A1512	KNOB	1
2	AY342*	FOLDING HANDLE LABEL	1
3	A1559	CRANK BUSHING	1
4	A2042	OFF LABEL	1
5	VT10-32BH375	10-32 X 3/4 BUTTON HEAD SCREW	1
6	VW500X203-60	WASHER	1
7	A1558	POSITION INDICATOR	1
8	A2011	NAME LABEL: GEARBOX	1
9	VO-206	O-RING 206	1
10	A1557	INDICATOR GEAR	1
11	VT25-20BH500	1/4-20 X 1/2 BUTTON HEAD CAP SCREW	2
12	A1547	CRANK BUSHING	1
13	VW812X406-65	WASHER	1
14	VT37-16BH1.5	3/8-16 X 1-1/2 BUTTON HEAD CAP SCREW	1
15	A1550	GEARBOX	1
16	VO-116	O-RING 116	1
17	A1556	ACETAL WASHER	1
18	A1555	DRIVE SHAFT	1
19	AY307	NYLON BUSHING	1
20	A1548	GEAR BUSHING	1
21	A1554	DOUBLE GEAR	1
22	A1549	BUSHING	1
23	A1553	INNER TRUNNION	1
24	VP312X50	DOWEL PIN 3/8" DIA X 1/2"	2
25	VO-214	O-RING 214	1
26	VO-154	O-RING-154	1
27	A1552	INNER BUSHING	1
28	VO-028	O-RING 028	1
29	VT25-20SH750	1/4-20 X 3/4 SOCKET HEAD SCREW	1
30	A1561	SUBPLATE	1
31	VB243TO	.243" TORLON BALL	2
32	HM770	DETENT SPRING	2
33	VO-010	O-RING 010	2
34	VT31-18SB500	5/16-18 X 1/2 SOCKET HEAD SHOULDER BOLT	2
35	XX625	HANDLE TOP	1
36	A1562	SIDE HANDLE	2
37	VT37-16BH1.0	3/8-16 X 1 BUTTON HEAD CAP SCREW	2

LXA-010

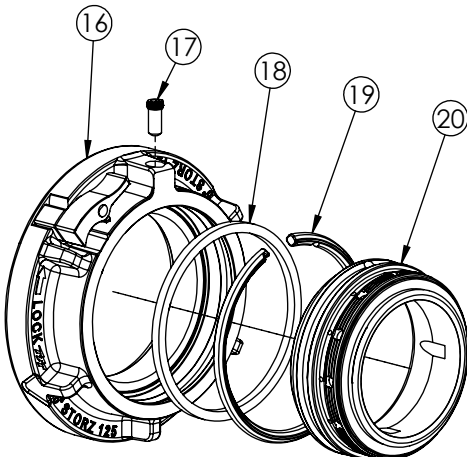
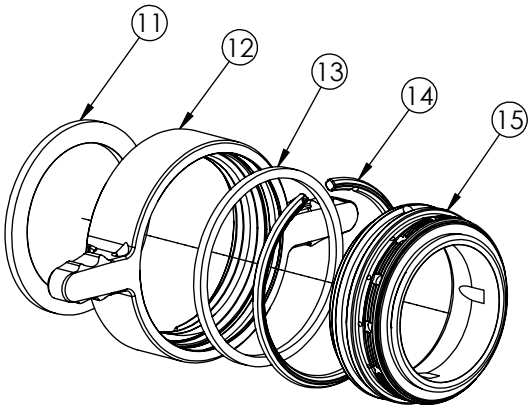
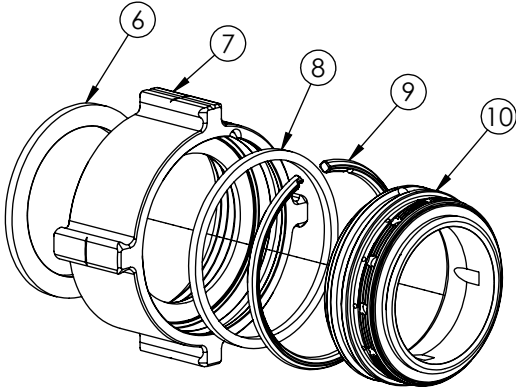
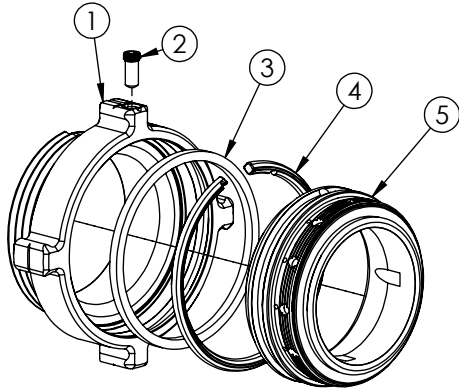
PARTS LIST: OASIS HYDRANT ASSIST VALVE
 MAINTENANCE AND SERVICE

SHEET: 5 of 6
 REV: 0
 DATE: 7/8/24



TASK FORCE TIPS, LLC.
 3701 INNOVATION WAY
 VALPARAISO, IN 46383 USA
 (219)462-6161

INLET/OUTLET OPTIONS



MALE HOSE THREADS

ITEM NO.	DESCRIPTION	3.5"	4.0"	4.5"	5.0"
1	SPOUT	A4615	A4620N	A4625N	A4630N
2	LOCK-OUT SCREW	A1294	A1294	A1294	A1294
3	CUP SEAL	A1597	A1596	A1596	A1596
4	PLASTIC STRIP	A1292	A1291	A1291	A1291
5	MATE	A2015	A2016	A2016	A2016

FEMALE HOSE THREADS ROCKER LUGS - FTS

ITEM NO.	DESCRIPTION	3.5"	4.0"	4.5"	5.0"
6	GASKET	V1396	v3198	V3210	V3220
7	COUPLING	A4655N	A4660N	A4665N	A4670N
8	CUP SEAL	A1597	A1596	A1596	A1596
9	PLASTIC STRIP	A1292	A1291	A1291	A1291
10	MATE	A2015	A2016	A2016	A2016

FEMALE HOSE THREADS ROCKER LUGS - FREE SPINNING

ITEM NO.	DESCRIPTION	4.0"	4.5"	5.0"
6	GASKET	v3198	V3210	V3220
7	COUPLING	A4663NP	A4668NR	A4673NT
9	PLASTIC STRIP	A1291	A1293	A1293
10	MATE	A2017	A2019	A2019

FREE SPINNING
COUPLINGS
DO NOT USE
CUP SEALS

FEMALE HOSE THREADS LONG HANDLES - FTS

ITEM NO.	DESCRIPTION	4.0"	5.0"
11	GASKET	v3198	V3210
12	COUPLING	A4560N	A4565N
13	CUP SEAL	A1596	A1596
14	PLASTIC STRIP	A1291	A1291
15	MATE	A2016	A2016

FEMALE HOSE THREADS LONG HANDLES - FREE SPINNING

ITEM NO.	DESCRIPTION	4.0"	4.5"	5.0"
11	GASKET	v3198	V3210	V3220
12	COUPLING	A4555NP	A4568NR	A4573NT
14	PLASTIC STRIP	A1291	A1293	A1293
15	MATE	A2017	A2019	A2019

FREE SPINNING
COUPLINGS
DO NOT USE
CUP SEALS

STORZ COUPLING

ITEM NO.	DESCRIPTION	4.0"	5.0"
16	STORZ COUPLING	A4124	A4125
17	LOCK-OUT SCREW	A1294	A1294
18	CUP SEAL	A1597	A1596
19	PLASTIC STRIP	A1292	A1291
20	MATE	A2015	A2016

LXA-010

PARTS LIST: OASIS HYDRANT ASSIST VALVE
MAINTENANCE AND SERVICE

SHEET: 6 of 6
REV: 0
DATE: 7/8/24



TASK FORCE TIPS, LLC.
3701 INNOVATION WAY
VALPARAISO, IN 46383 USA
(219)462-6161