

1 2 3 4 5 6

A

B

C

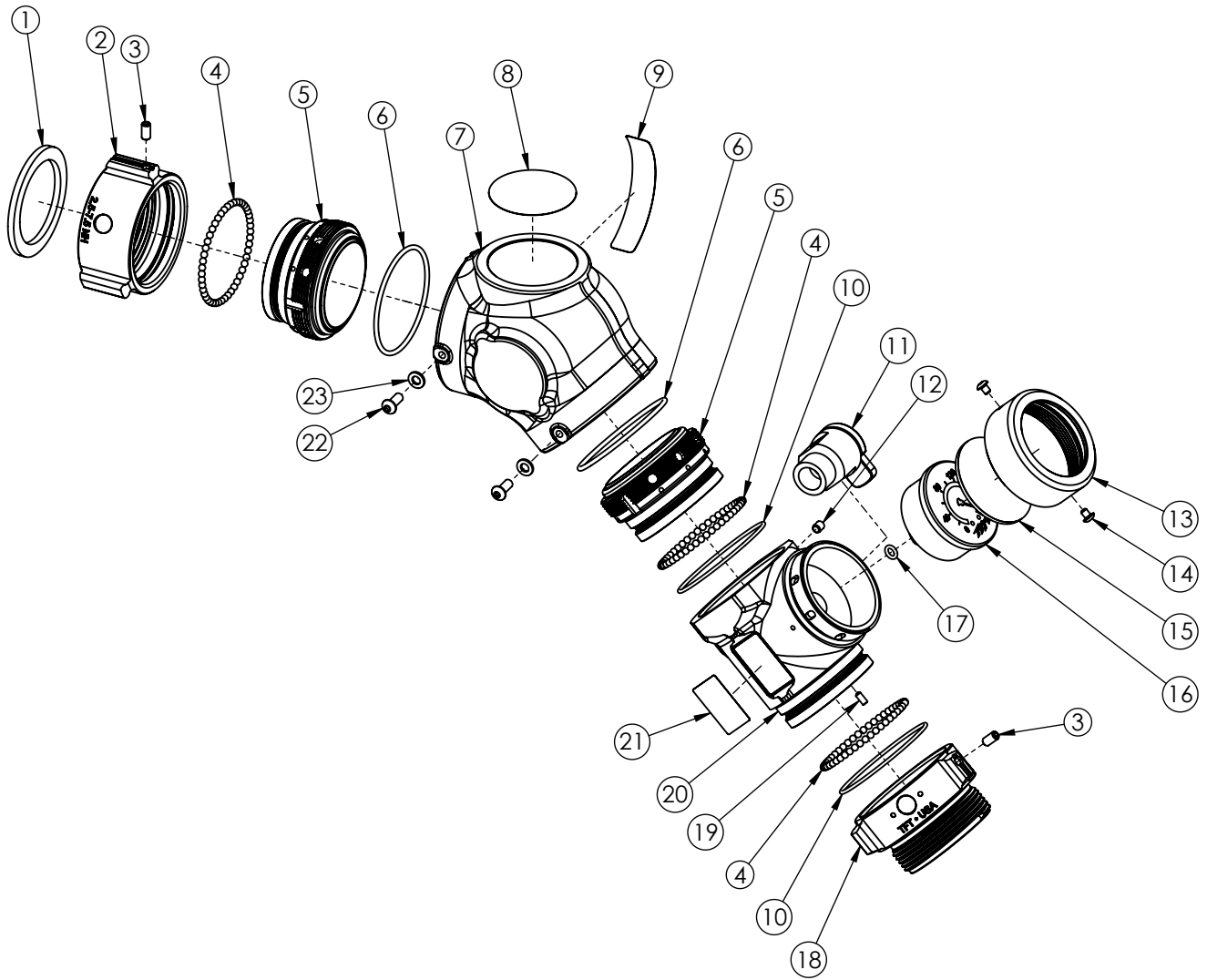
D

E

F

G

H



LXA-001

PARTS LIST: IN-LINE 45 DEG GAUGE
MAINTENANCE AND SERVICE

SHEET: 1 of 2
REV:
DATE: 8/18/20



TASK FORCE TIPS, LLC.
3701 INNOVATION WAY
VALPARAISO, IN 46383 USA
(219)462-6161

ITEM NO.	PART NUMBER	DESCRIPTION	
1	V3190	GASKET - 2.5" HOSE COUPLING	1
2	M307*	COUPLING 2.5"F	1
3	VT25-28SS500	1/4-28 X 1/2 SOCKET SET SCREW CUP POINT	2
4	V2120	3/16" STAINLESS BALL	143
5	AY365	ADAPTER HSBGM30	2
6	VO-234	O-RING 234	2
7	AY312E	2.5" GATE ELBOW 45 DEG RIGHT BODY	1
8	AY316	LABEL: TFT LOGO	1
9	AY311	SERIAL NUMBER LABEL A-SERIES 200 PSI MAX	1
10	VO-151	O-RING 151	2
11	A1621	DRAIN VALVE	1
12	VT25-28SS312	1/4-28 X 5/16 SOCKET SET SCREW CUP POINT	1
13	J260-1	IN-LINE GAUGE COVER	1
14	VT10-32BH250	10-32 X 1/4 BUTTON HEAD CAP SCREW	2
15	J262	GAUGE LENS	1
16	J265	PRESSURE GAGE: 200PSI/21 BAR	1
17	VO-108	O-RING 108	1
18	A3627*	SPOUT 2.5"M X HSBGF30	1
19	VT08Y32SS375	8-32 X 3/8 SHSS - NYLON PATCH	1
20	J251	IN-LINE GAUGE BODY	1
21	J264	IN-LINE GAUGE NAME LABEL 200 PSI	1
22	VT25-20BH625	1/4-20 X 5/8 BUTTON HEAD CAP SCREW	2
23	VW500X265-63	WASHER	2

LXA-001

PARTS LIST: IN-LINE 45 DEG GAUGE
 MAINTENANCE AND SERVICE

SHEET:
2 of 2

REV:

DATE: 8/18/20



TASK FORCE TFS, LLC.
 3701 INNOVATION WAY
 VALPARAISO, IN 46383 USA
 (219)462-6161