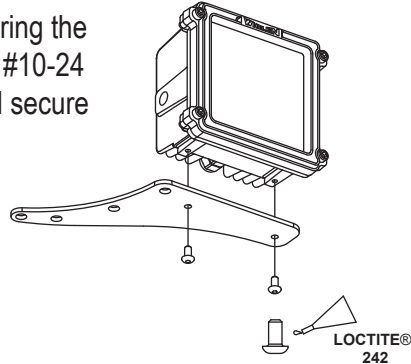
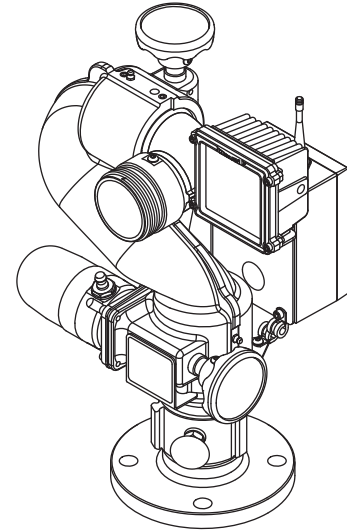
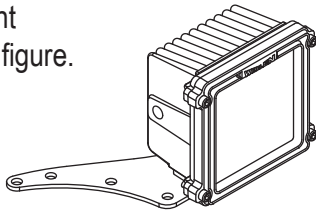


Instruction: Light Kit YE-LK12/24-KIT Installation

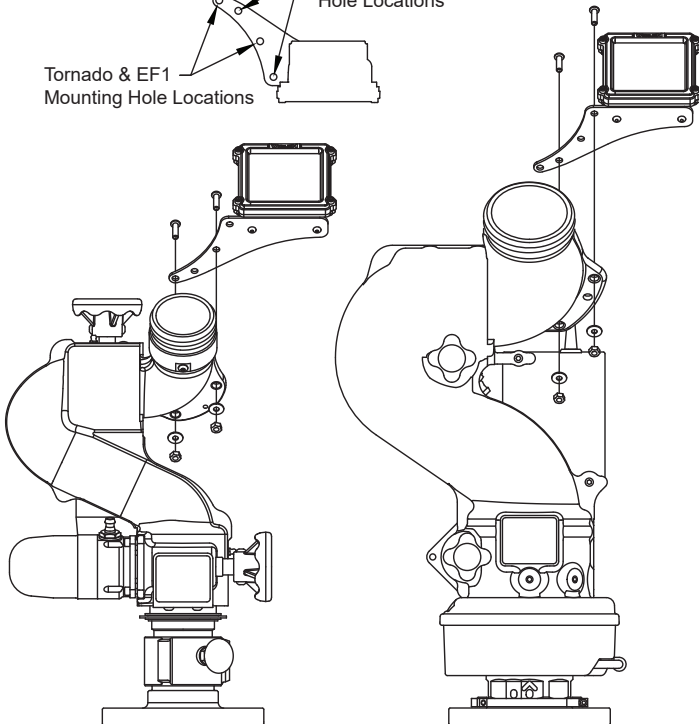
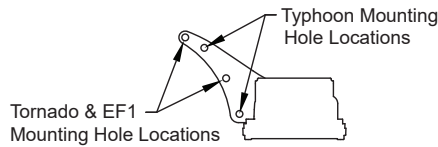
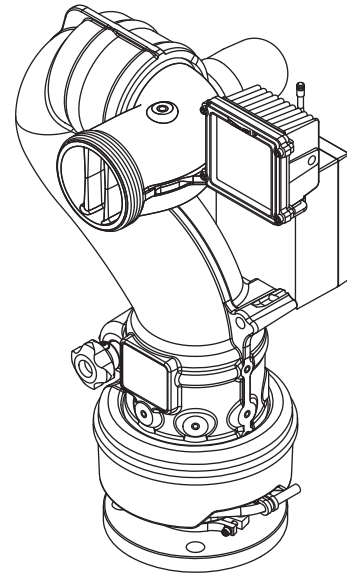
1. Apply Loctite #242 covering the first 5 threads of the (2) #10-24 button head screws and secure light to bracket.



2. Correctly installed light should resemble this figure.



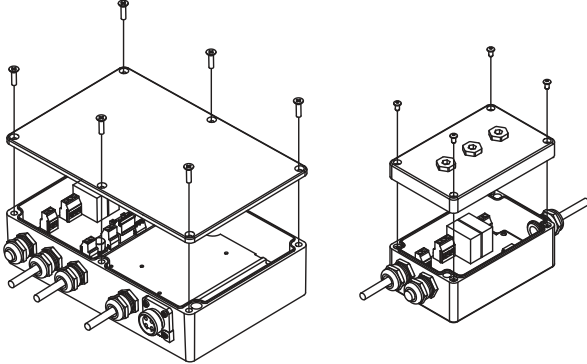
3. Install bracket on monitor elbow with 1/4-20 button head screws, washers and lock nuts as shown. Take care to use proper mounting holes for Tornado or Typhoon.



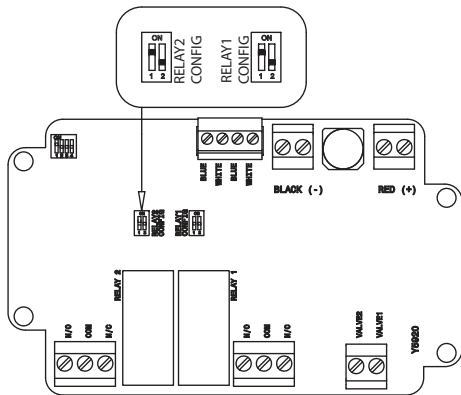
NOTICE

- Light is only to be installed on 180 degree monitor installations.
- Improper light orientation when installed on monitor can result in product damage when pointed down.
- Refer to LIY-500 for system fuse information.

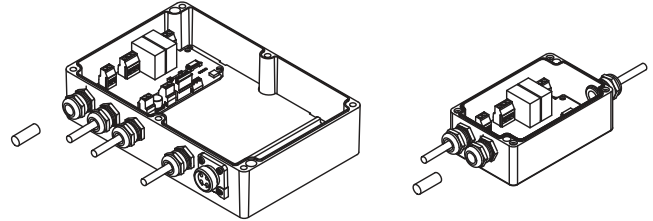
1. Be sure that the power to the system has been turned off and remove the lid from the valve control box or remote auxiliary interface box.



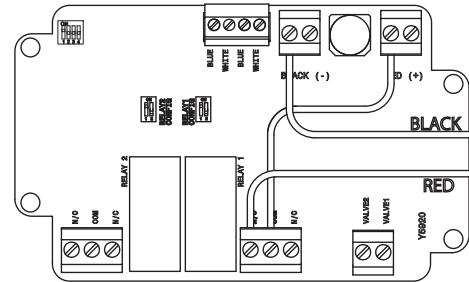
3. Set the relay configuration DIP switches for the valve/remote-auxiliary interface circuit board as shown in the figure.



2. Remove the plug from the unused strain relief and install the light cable. Be sure to firmly tighten down the strain relief to prevent water from entering the enclosure.

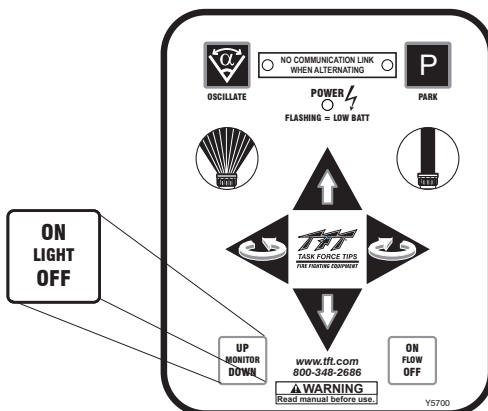


4. Connect the red and black wires from the light cable along with the jumper from the positive supply as shown in the figure. Reinstall the lid and be sure the lid gasket is properly in place before tightening down the screws.



MONITOR CONTROL BOX & OPERATOR STATIONS

Light is turned on and off with the AUX1 command. Install the light switch overlay onto remote operator stations as well as the monitor operator station.



JOYSTICK OPERATOR STATION CONFIGURATION

Remove the lid of the Joystick Operator Station enclosure and set configuration DIP switch #2 to the ON position as shown in the figure. Also, install the light switch overlay on the top spare switch

