



**TASK FORCE TIPS**

# Maintenance Sheet

## Handline and Dual-Force Tip Only

Manufactured 9/1993 through 12/2003

All Task Force Tips' nozzles are factory lubricated with high quality silicone grease. This lubricant has excellent wash out resistance and long term performance in firefighting nozzles. If your department has unusually hard or sandy water, the moving parts of the nozzle may be affected. Foam agents and water additives contain soaps and chemicals that may break down the factory lubrication.

The moving parts of the nozzle should be checked on a regular basis for smooth and free operation, and for signs of damage. IF THE NOZZLE IS OPERATING CORRECTLY, THEN NO ADDITIONAL LUBRICANT IS NEEDED. Any nozzle that is not operating correctly should be immediately removed from service.

The field use of Break Free CLP (spray or liquid) lubricant will help to restore the smooth and free operation of the nozzle. However, these lubricants do not have the washout resistance and long-term performance of the silicone grease. Therefore, re-application of Break Free CLP will be needed on a regular basis. CAUTION: Aerosol lubricants contain solvents that can swell O-Rings if applied in excess. The swelling can inhibit smooth operation of the moving parts. When used in moderation, as directed, the solvents quickly evaporate without adversely swelling the O-Rings.

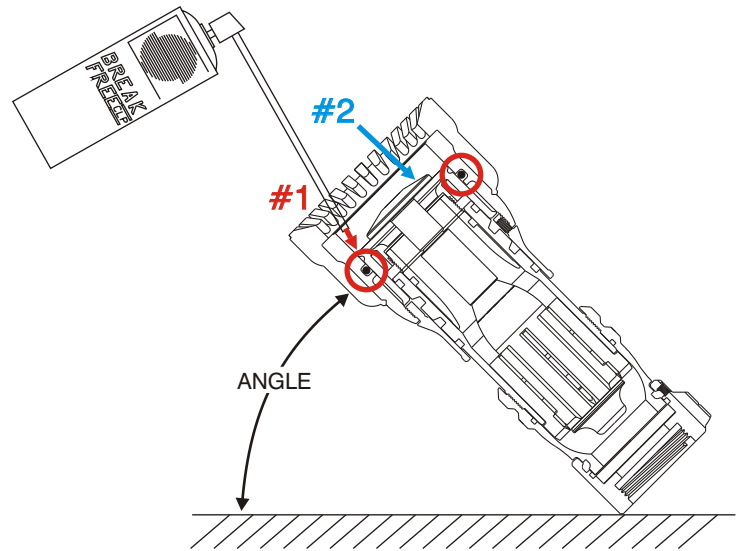
The nozzle can be returned to the factory for a complete checkup and re-lubrication with silicone grease.

### PART ONE — COUPLING DOWN

Position the nozzle at a 45-degree angle with the COUPLING end down. Set the pattern to STRAIGHT STREAM then spray a 5-second burst into these areas:

- #1 FRONT PATTERN CONTROL SEAL**  
Spray in between the pattern control and the barrel.
- #2 PRESSURE CONTROL UNIT**  
Spray lube to face of pressure control unit.

While holding nozzle at the angle, wait 30 seconds for the lubricant to penetrate into the clearances. Rotate the shaper from straight stream to full flush several times, and then proceed to the next section.

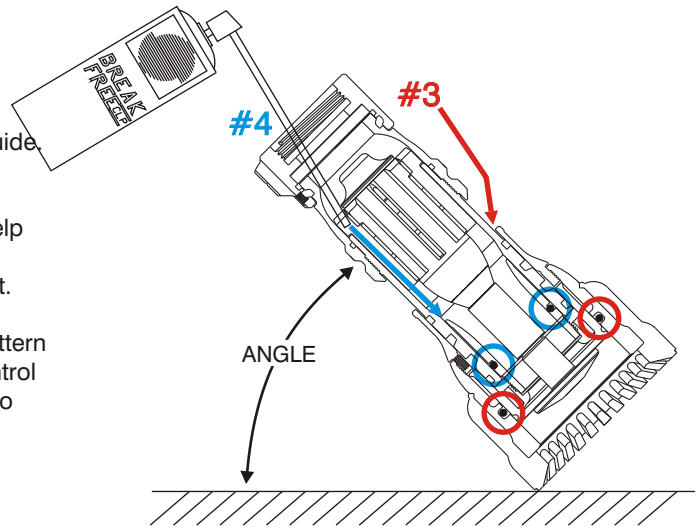


### PART TWO — COUPLING UP

Position the nozzle at a 45-degree angle with the BUMPER end down. Set the pattern to FLUSH and spray a 5-second burst in these areas:

- #3 REAR SHAPER SEAL**  
Spray down the clearance between the label and the shaper guide.
- #4 FLUSH MECHANISM SEAL**
  - a) Spray down into the nozzle. The aerosol extension tip will help direct the spray into clearances leading to the O-Ring.
  - b) Rotate nozzle 90 degrees and spray another 5-second burst.

While holding nozzle at the angle, wait 30 seconds, then rotate the pattern control from straight stream to full flush several times. The pattern control should move freely and easily. The barrel cone should move forward to within 1/16" of the baffle before the shaper reaches straight stream position. Wipe off excess lubricant.



**IF THIS PROCEDURE DOES NOT RESTORE SMOOTH AND FREE OPERATION OF ALL THE MOVING PARTS, THEN FACTORY SERVICE IS NEEDED. 24-HOUR HOT LINE — 800-348-2686**

**TASK FORCE TIPS, Inc.**  
MADE IN USA • www.tft.com

2800 E. Evans Ave, Valparaiso, IN 46383-6940 USA  
800-348-2686 • 219-462-6161 • Fax 219-464-7155