



INSTALLATION, MAINTENANCE and USE INSTRUCTIONS 8, 12, & 20 Gallon Tank Kit

1. **Installation.** The tank must be supported by a support cradle. The cradle must support at least the full length of the bottom edges of the tank.

Tank fittings should be tightened (if necessary) before filling the tank. Tightening of fittings on gaskets that have become wet with certain solutions can cause the gaskets to deform and dislocate. If this should happen it is necessary to dry the gasket completely before it can be properly tightened.

NOTE: Tank bulkhead fitting must not be tightened more than 1/2 turn past hand tight.

The weight of strainers, shut-off valves and heavy hoses or piping must be supported independently and not by the fittings attached to the tank.

The tanks must be held securely in place by hold-down straps to keep the tank from shifting in its support cradle. Remember that liquids are heavy and large forces and stresses are generated by the movement of the fluid in the tank during starting, stopping, turning corners and passing over bumps.

2. **Material Storage.** Under no circumstances should this tank be used as a storage container of fuel oils, kerosene, gasoline or any other petroleum distillate product. All polyolefins are softened and permeated by such products. In an enclosed area the vaporization of these materials from the outside surface of the tanks could create a dangerous condition.

The tank should not be used as a pressure tank nor used with chemical solutions having a weight of more than 12 lbs./gallon.

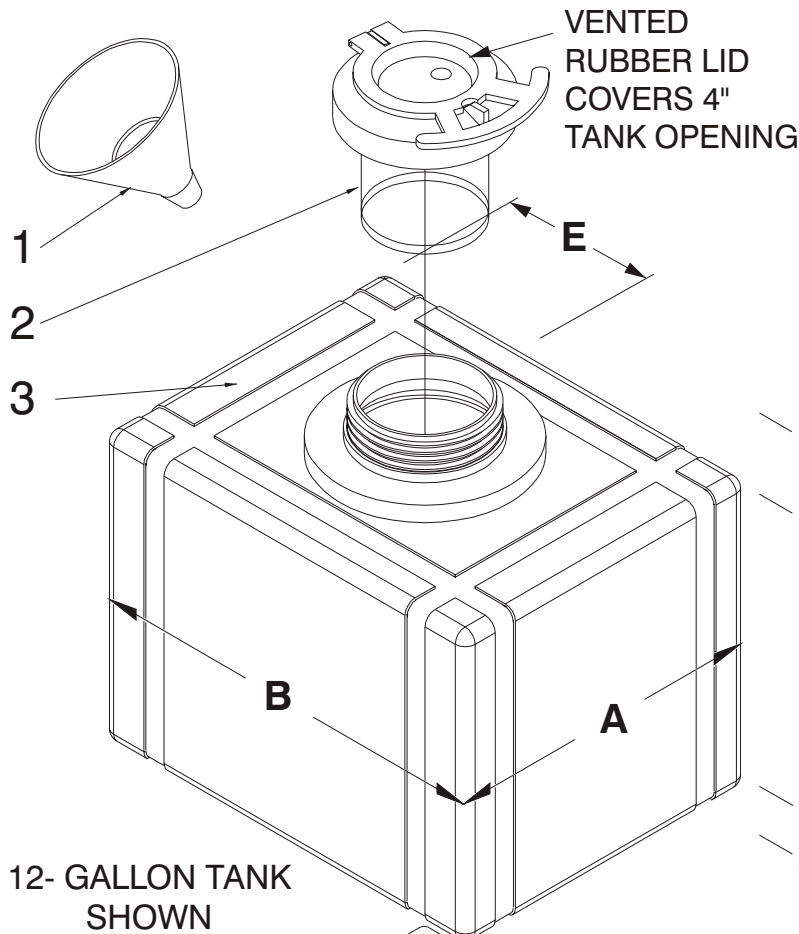
The gallonage markings showing capacity should be used for general reference only, not for exact measurement.

3. **Care and Maintenance.** When not in use the tank should be stored in a dry dark place. Although ultraviolet stabilizers are added to protect the tanks from sunlight damage, all polyolefins will deteriorate in time. Storage out of the sunlight will lengthen the life of all plastic tanks.

Do not drop, strike, or kick the tank at low temperatures. All polyolefin materials are increasingly subject to cracking as temperatures fall below twenty degrees Fahrenheit.

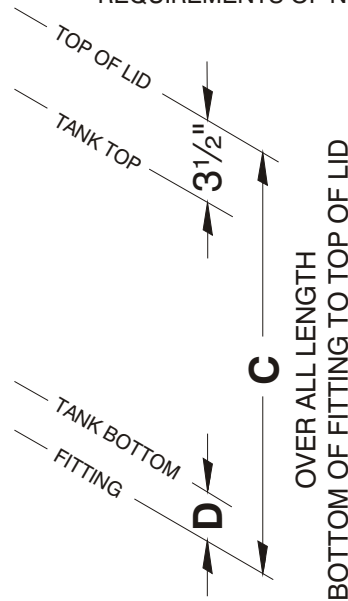
8, 12, & 20 Gallon Tank Kits

Assembly Diagram

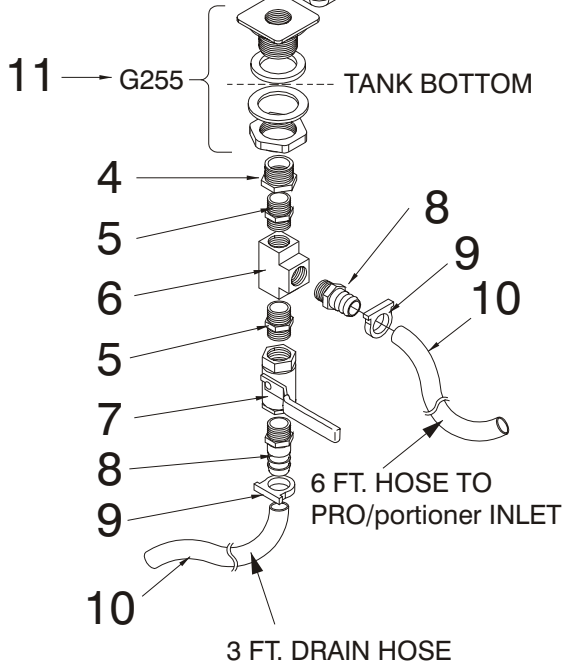


TANK DIMENSIONS IN INCHES						
MODEL NUMBER	TANK SIZE (GAL)	A	B	C	D	E
G9000T08	8	12	16	16	1½	8
G9000T12	12	14	18	17	1½	9
G9000T20	20	14	28¼	19½	4½	8¾

- TANKS HAVE A 4" WELL CENTERED IN THE BOTTOM WITH A 3/4" NPT FEMALE DRAIN FITTING.
- 8 GALLON & 12 GALLON TANK KITS MEET ALL REQUIREMENTS OF NFPA #1901...8-3.7.



12- GALLON TANK SHOWN



ITEM	DESCRIPTION	PART#
1	FILTER FUNNEL	G214
2	TANK LID SUB-ASSEMBLY	G455
3	TANK, 8 GALLON	G200
	TANK, 12 GALLON	G212
	TANK, 20 GALLON	G220
4	3/4 - 1/2 BUSHING	VFHB6MX4F
5	1/2 X 1/2 HEX NIPPLE	VFHN4MX4M
6	1/2 NPT PIPE TEE	VFFT4FX4FX4F
7	1/2 X 1/2 FNPT VALVE	G253
8	3/4 BARB X 1/2 MNPT	VFNN6BX4M
9	SS HOSE CLAMP	G246
10	3/4 ID VARDEX TUBING	G292
11	BULKHEAD FITTING	G255

TASK FORCE TIPS, Inc.
MADE IN USA • www.tft.com

2800 E. Evans Ave, Valparaiso, IN 46383-6940 USA
800-348-2686 • 219-462-6161 • Fax 219-464-7155