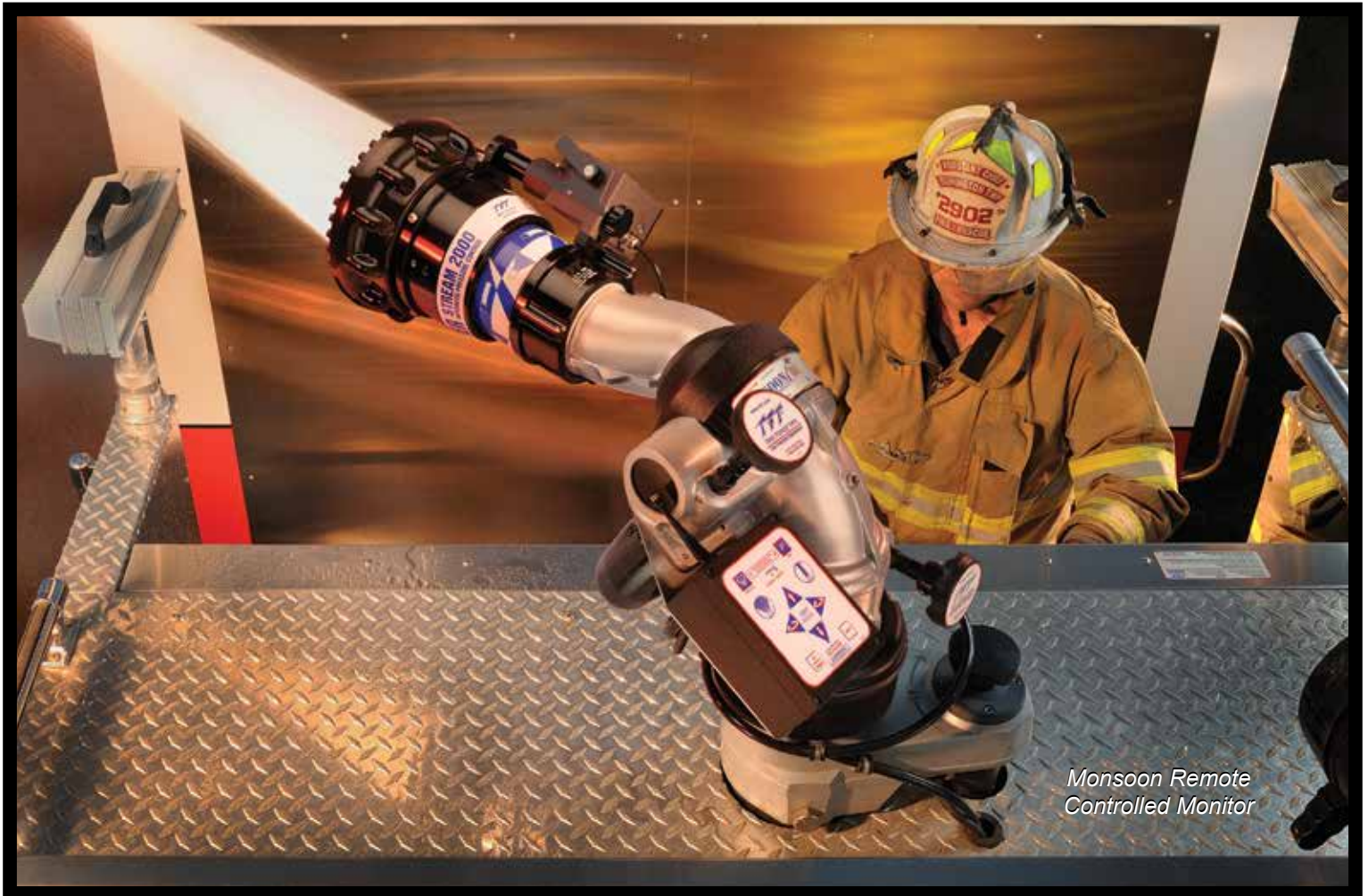


# Zero to 1250 GPM in 30 Seconds . . .



*Monsoon Remote  
Controlled Monitor*

## . . . REALLY !

With only 6 psi loss at 1250 GPM flows, the remotely controlled Monsoon Monitor from Task Force Tips provides your limited crew with a powerful masterstream that can be placed in service quickly and safely.

The Monsoon, when combined with the Extenda-Gun telescoping waterway and handheld radio frequency controller, dramatically improves the fire flow performance of any apparatus.

To learn more about how you can integrate amazing new capabilities into your apparatus, contact your local TFT dealer today.



**TASK FORCE TIPS**  
Made in USA • [www.tft.com](http://www.tft.com)

3701 Innovation Way, Valparaiso, IN 46383-9327 USA  
US & CN 800.348.2686 • 1.219.462.6161 • fax 1.219.464.7155



U.S. & Canada **800.348.2686** [www.tft.com](http://www.tft.com)  
 24 Hour Service Team: **800.854.6864**

TASK FORCE TIPS 3701 INNOVATION WAY, VALPARAISO, IN 46383-9327 MADE IN USA

**MONSOON RC SERIES**  
 Visit [www.tft.com/FE12](http://www.tft.com/FE12) to see a complete video overview of the Monsoon Remote Controlled Monitor.



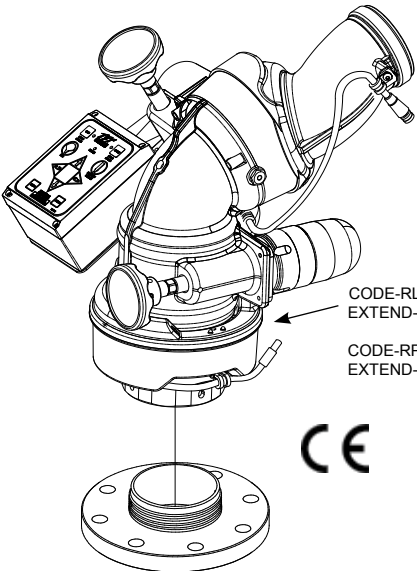
Monsoon RC Monitor shown with Master Stream 2000 Electric Remote Nozzle. M-ERP2000-NN



**Remote Controlled Deck Monitor - Up To 2000 GPM**

**Designed for Pumper Applications**

The Monsoon RC for pumper installations is an electric remote controlled monitor that has all the benefits of the Monsoon monitor with the addition of powered operation. It has a greater horizontal sweep angle than the RC model for Ladder or Platform installations. Designed for 12 VDC or 24 VDC operation, selection is automatic. The Monsoon RC comes with a factory installed control panel mounted on the monitor for controlling horizontal rotation, elevation, nozzle pattern and programmable PARK and Oscillate. The motor control circuits are factory installed on the monitor and use position encoders and current limiting to protect the drive train at the ends of travel. Unit comes with 30 feet of ultra-flexing robotics cable already wired to the monitor so installation effort is minimized. Cable has only four conductors (two for power and two for communications), further easing the installation effort. Cable is enclosed in a unique wire guide that allows 450° of horizontal travel (225° either side of a center position), which is far more reliable than slip rings or coil cords. Knobs for manual override are provided on the horizontal rotation and elevation drive. TFT's Master ERP nozzles plug into the factory installed nozzle power wire. Electric drives and control box are waterproof. Main waterway made from hardcoat anodized ANSI 356-T6 aluminum. Silver powder coat finish inside and out. Standard outlet is 3.5" NH (90 mm) rigid male thread. Other outlets are available. RC Monitor delivered with wireless antenna installed.



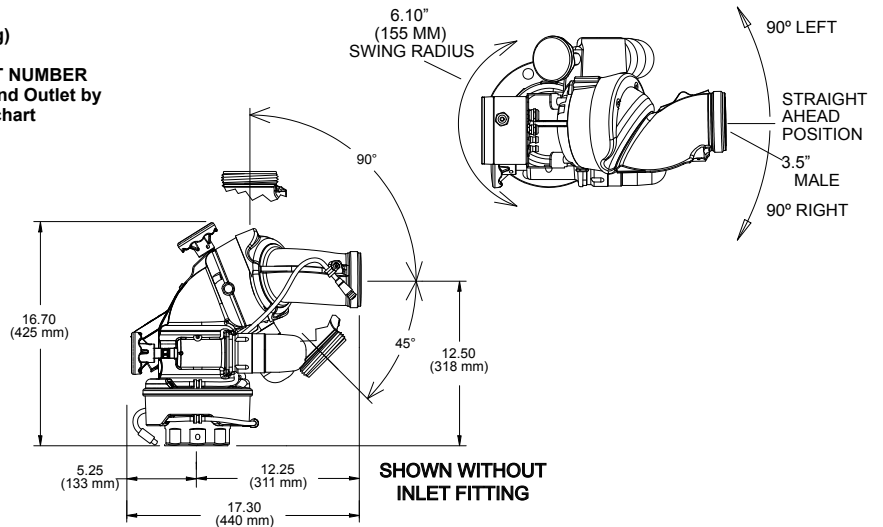
**Y4-E11A**  
 37.0 lb (16.8 kg)

**SAMPLE PART NUMBER**  
 Specify Inlet and Outlet by number from chart

CODE-RLF thread fits EXTEND-A-GUN RC3 or CODE-RPF thread fits EXTEND-A-GUN RC4



4" ANSI 150 INLET FITTING SHOWN  
 OTHER INLET FITTINGS SIMILAR



**Y4-**

			<b>A</b>
Actuation E) Electric M) Manual T) Tiller	Inlet 1) 3" ANSI 150 2) 4" ANSI 150 3) 6" ANSI 150 4) DN80, PN16 5) DN100, PN16 6) 3" NPT Female 7) 4" NPT Female 8) 3" BSP Male 9) 4" BSP Male	L) TFT CODE-RLF* P) TFT CODE-RPF* Q) 4.5"NH Quick Connect for VUM R) 4.5"NH Quick Connect with 4" ANSI 150 S) 4.5"NH Quick Connect with 4" NPT female T) 4.5"NH Quick Connect with CODE-RLF* U) 4.5"NH Quick Connect with CODE-RPF*	Outlet 1) 3.5"-6 NH Male 2) 3.5"-11 BSP Male 3) 3.5"-8 NPSH Male 4) 4.0"-11 BSP Male 9) Special
*TFT CODE-RLF Fits Extend-A-Gun RC3		*TFT CODE-RPF Fits Extend-A-Gun RC4	