



## XF500-KIT • XP500-KIT INSTALLATION INSTRUCTIONS

***This kit contains all of the Safety Valve parts necessary to convert a TFT Stow-A-Way Base into a Safe-Tak Base. The Safety valve will reduce the flow of water if the monitor should leave the ground for any reason.***

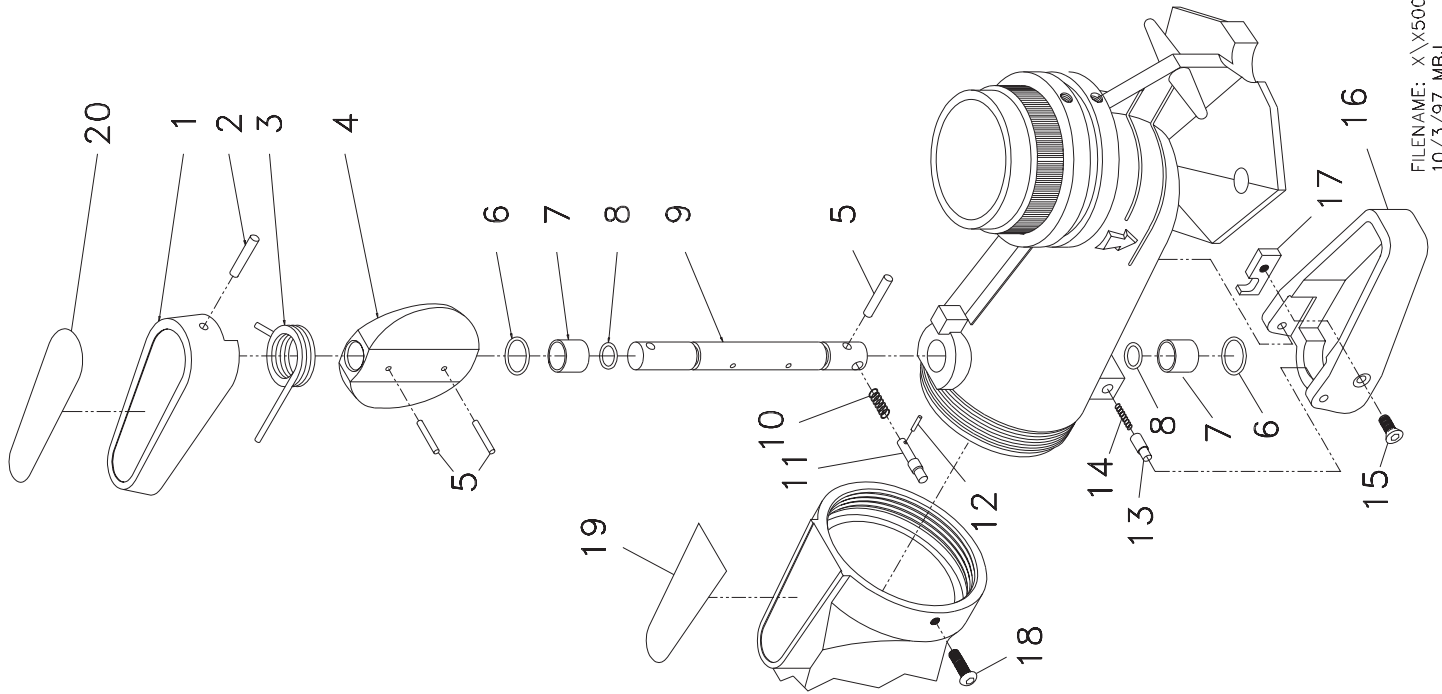
- 1) Remove the screw at the side of the joint between the inlet and base casting. Unscrew the inlet casting from the base casting. Discard the screw.
- 2) Remove the screws and large washers at the rear of the base casting. Push the hole plugs into the casting. Remove the O-rings from the grooves in the base casting. Discard screws, washers, plugs and O-rings.
- 3) Install the O-rings, VO-118, in the grooves in the base casting. Apply a thin film of grease to the O-rings.
- 4) Press the Bushings, X565, into the holes in the base, **the beveled end goes in first**. Be careful not to cut the O-rings with the bushings.
- 5) Place the Butterfly Valve, X550, in the open end of the base casting. Insert the Valve Shaft Assembly up through the bottom hole in the base, through the Butterfly Valve, and out through the hole in the top of the casting.
- 6) Hold the Butterfly Valve in the closed position, and rotate the Valve shaft so that the Trip Pin, X582, is pointing toward the large opening in the base casting. Align the holes in the Butterfly Valve with the holes in the shaft. Use a nail, drill bit or similar object to keep the holes aligned. Drive the two 5/32 x 1 1/8 pins, V1920 in the holes in the Butterfly Valve and Shaft. **Make sure that the shaft turns freely!**
- 7) Screw the inlet casting onto the base casting until the screw holes in the sides of the casting line up completely
- 8) Apply Loctite #242 to the threads on the 1/4-28 Button Head screw VT25-20BH750 and screw it into the hole at the side of the inlet base joint.
- 9) Hold the Butterfly Valve closed, and place the Torsion Spring, X560 on the boss on the top of the base casting, **the long arm of the spring goes on top**.
- 10) Put the Valve Handle, X540 on the end of the Valve Shaft and engage the end of the spring in the slot on the bottom side of the Valve Handle.
- 11) Align the hole in the Valve Handle with the hole in the Valve Shaft and drive the pin in until flush with the handle. Use a drill bit, nail, or similar object to align the holes from inside of the handle.
- 12) Insert the Paddle Pivot and Paddle Pivot Springs, X571 and X590, into the holes in the sides of the lower valve boss on the bottom of the base casting. Depress the Paddle Pivots and install the Paddle assembly. **Make sure the paddle moves freely up and down.**
- 13) Extend the base legs and set the base on a flat surface. Rotate the Valve Handle so that it lines up with the boss on the top of the inlet casting, it should latch in place. Lift up one leg of the base-- the valve should trip and move to the closed position when the leg is raised a few inches.
- 14) Apply the Safety Valve Base Label, XL080 to the inlet casting.
- 15) Apply the Safe-Tak base label over the Stow-A-Way label on the folding leg.

**TASK FORCE TIPS, Inc.**  
MADE IN USA • [www.tft.com](http://www.tft.com)

3701 Innovation Way, Valparaiso, IN 46383-6940 USA  
800-348-2686 • 219-462-6161 • Fax 219-464-7155

# XF500-KIT & XP500-KIT

#	Part #	Qty	Description
<b>VALVE SHAFT SUBASSEMBLY</b>			
9	X570	1.0	VALVE SHAFT
11	X580	1.0	TRIP PIN
10	X582	1.0	TRIP PIN SPRING
12	VP094X500H	1.0	3/32 X 1/2 SPIROL PIN HDP
8	VO-113	2.0	O-RING-113
5	V1920	3.0	5/32 X 1 1/8 SPIROL HDP
<b>PADDLE PIVOT SUBASSEMBLY</b>			
13	X590	2.0	PADDLE PIVOT
14	X575	2.0	PADDLE PIVOT SPRING
<b>PADDLE SUBASSEMBLY</b>			
15	VT25E20FH875	1.0	1/4-20 X 7/8 FLAT HEAD
17	X585	1.0	WEAR PLATE
16	X530	1.0	PADDLE - FINISHED
<b>VALVE HANDLE SUBASSEMBLY</b>			
20	XL070	1.0	SAFETY VALVE HANDLE LABEL
1	X540	1.0	VALVE HANDLE - FINISHED
2	VP250X1.375H	1.0	1/4 X 1 3/8 SPIROL PIN HDP
<b>OTHER PARTS</b>			
18	VT25-28BH750	1.0	1/4-28 x 3/4 Button Head Screw
16	VO-118	2.0	O-RING-118
4	X550	1.0	BUTTERFLY
3	X560	1.0	TORSION SPRING
7	X565	2.0	BUTTERFLY SHAFT BUSHING
-	XL040	1.0	SAFE-TAK LEG LABEL
19	XL080	1.0	SAFETY VALVE BASE LABEL



FILENAME: X\XF500KIT.dwg  
10/3/97 MBJ