

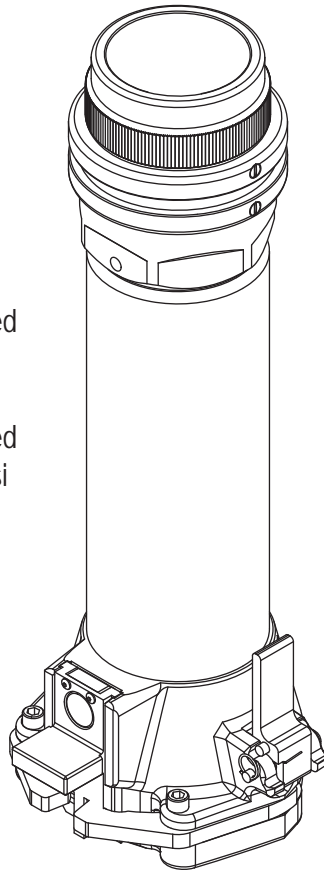
INSTRUCTIONS FOR SAFE OPERATION AND MAINTENANCE

⚠️ WARNING

Understand manual before use. Operation of this device without understanding the manual and receiving proper training is a misuse of this equipment. Obtain safety information at www.tft.com/serial-number

This Instruction Manual is intended to familiarize firefighters and maintenance personnel with the operation, servicing, and safety procedures associated with the Monitor Extension Pipe.

This manual should be kept available to all operating and maintenance personnel.



Maximum Recommended
Flow is 1250 gpm.

Maximum Recommended
Inlet Pressure is 175 psi

⚠️ DANGER

PERSONAL RESPONSIBILITY CODE

The member companies of FEMSA that provide emergency response equipment and services want responders to know and understand the following:

1. Firefighting and Emergency Response are inherently dangerous activities requiring proper training in their hazards and the use of extreme caution at all times.
2. It is your responsibility to read and understand any user's instructions, including purpose and limitations, provided with any piece of equipment you may be called upon to use.
3. It is your responsibility to know that you have been properly trained in Firefighting and/or Emergency Response and in the use, precautions, and care of any equipment you may be called upon to use.
4. It is your responsibility to be in proper physical condition and to maintain the personal skill level required to operate any equipment you may be called upon to use.
5. It is your responsibility to know that your equipment is in operable condition and has been maintained in accordance with the manufacturer's instructions.
6. Failure to follow these guidelines may result in death, burns or other severe injury.



Fire and Emergency Manufacturers and Service Association
P.O. Box 147, Lynnfield, MA 01940 • www.FEMSA.org

⚠️ DANGER

The Monitor Extension Pipe is intended for use on a Fixed Mount System only. Placing the Monitor Extension Pipe on a portable base can cause the base to slide or lift off the ground, which can result in injury or death. Do not use the Monitor Extension Pipe on a portable base.

⚠️ WARNING

Never connect a Monitor Extension Pipe to another Monitor Extension Pipe. Multiple Monitor Pipes are not strong enough to withstand the bending forces of monitor operation. Only use one Monitor Extension Pipe per monitor.

1.0 MEANING OF SAFETY SIGNAL WORDS

A safety related message is identified by a safety alert symbol and a signal word to indicate the level of risk involved with a particular hazard. Per ANSI standard Z535.6-2006, the definitions of the four signal words are as follows:

⚠ DANGER

DANGER indicates a hazardous situation which, if not avoided, will result in death or serious injury.

⚠ WARNING

WARNING indicates a hazardous situation which, if not avoided, could result in death or serious injury.

⚠ CAUTION

CAUTION indicates a potentially hazardous situation which, if not avoided, may result in minor or moderate injury.

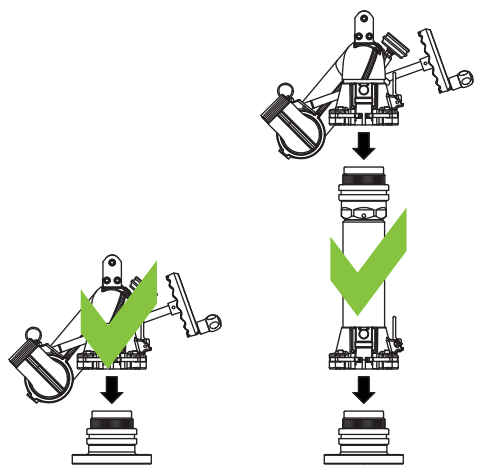
2.0 USE

The Monitor Extension Pipe is a simple way to elevate the outlet of a fixed or truck mounted TFT Crossfire. The Monitor Extension Pipe raises the outlet of the Crossfire 15 ¾ inches [40cm]. It connects to the mounting flange as well as the Crossfire monitor in the same fashion, allowing the monitor to be used with and without the extension.

For installation instructions, refer to the Crossfire Manual (LIX-030)

The Monitor Extension Pipe should not be used on a portable base, nor should multiple Monitor Extension Pipes be connected together. The maximum flow rating is 1250 gpm (4800 l/min), and the maximum pressure rating is 175 psi (12 bar).

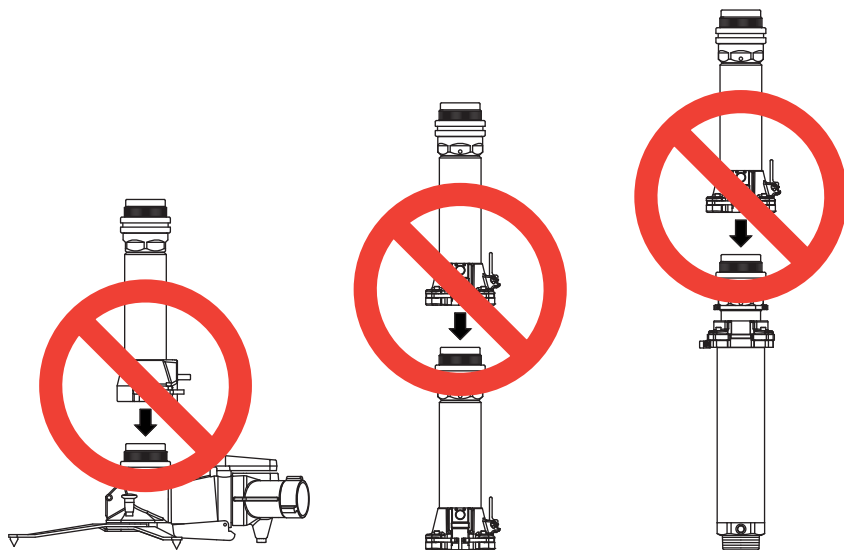
CORRECT



TRUCK MOUNT/
FIXED MOUNT

EXTENSION PIPE
ON TRUCK MOUNT/
FIXED MOUNT

INCORRECT

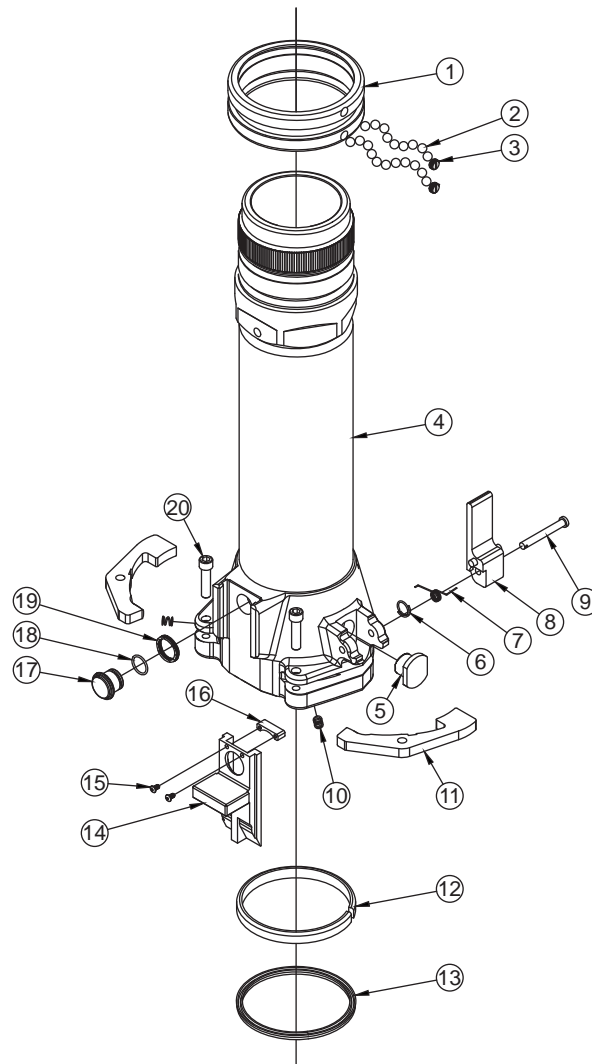


EXTENSION PIPE
ON PORTABLE BASE

EXTENSION PIPE
ON EXTENSION PIPE

EXTENSION PIPE
ON EXTEND-A-GUN

3.0 EXPLODED VIEW AND PARTS LIST



INDEX	DESCRIPTION	QTY	PART #
1	SWIVEL RING	1	X425
2	5/16 SS BALL (38) PER RACE	76	VB.312
3	SWIVEL SCREW	2	X405
4	MAIN BODY ASSEMBLY	1	N/A
5	ROTATION LOCK INSERT	1	X170
6	CLEVIS PIN RETAINER	1	X137
7	ROT LOCK LEVER SPRING	1	X152
8	ROTATIONAL LOCK LEVER/PIN - ASSEMBLY	1	X821
9	CLEVIS PIN 1/4 X 2	1	X180
10	DETENT SPRING	2	H770

INDEX	DESCRIPTION	QTY	PART #
11	PAWL	2	X135
12	WEAR STRIP	1	X120
13	CUP SEAL	1	X125
14	SLIDE BAR	1	X140
15	6-32 X 1/4 BUTTON HEAD SCREW	2	VT06E32BH250
16	COVER	1	X142
17	SAFETY PLUNGER	1	X150
18	O-RING-016	1	VO-016
19	PLUNGER WAVE SPRING	1	X165
20	5/16-18 X 1-1/4 SOCKET HEAD SCREW	2	VT31-18SH1.2

5.0 WARRANTY

Task Force Tips, Inc., 3701 Innovation Way, Valparaiso, IN 46383-6940 ("TFT") warrants to the original purchaser of its Extension Pipe ("equipment"), and to anyone to whom it is transferred, that the equipment shall be free from defects in material and workmanship during the five (5) year period from the date of purchase.

TFT's obligation under this warranty is specifically limited to replacing or repairing the equipment (or its parts) which are shown by TFT's examination to be in a defective condition attributable to TFT. To qualify for this limited warranty, the claimant must return the equipment to TFT, at 3701 Innovation Way, Valparaiso, IN 46383-9327 USA, within a reasonable time after discovery of the defect. TFT will examine the equipment. If TFT determines that there is a defect attributable to it, TFT will correct the problem within a reasonable time. If the equipment is covered by this limited warranty, TFT will assume the expenses of repair.

If any defect attributable to TFT under this limited warranty cannot be reasonably cured by repair or replacement, TFT may elect to refund the purchase price of the equipment, less reasonable depreciation, in complete discharge of its obligations under this limited warranty. If TFT makes this election, claimant shall return the equipment to TFT free and clear of any liens and encumbrances.

This is a limited warranty. The original purchaser of the equipment, any person to whom it is transferred, and any person who is an intended or unintended beneficiary of the equipment, shall not be entitled to recover from TFT any consequential or incidental damages for injury to person and/or property resulting from any defective equipment manufactured or assembled by TFT. It is agreed and understood that the price stated for the equipment is in part consideration for limiting TFT's liability. Some states do not allow the exclusion or limitation of incidental or consequential damages, so the above may not apply to you.

TFT shall have no obligation under this limited warranty if the equipment is, or has been, misused or neglected (including failure to provide reasonable maintenance) or if there have been accidents to the equipment or if it has been repaired or altered by someone else.

THIS IS A LIMITED EXPRESS WARRANTY ONLY. TFT EXPRESSLY DISCLAIMS WITH RESPECT TO THE EQUIPMENT ALL IMPLIED WARRANTIES OF MERCHANTABILITY AND ALL IMPLIED WARRANTIES OF FITNESS FOR A PARTICULAR PURPOSE. THERE IS NO WARRANTY OF ANY NATURE MADE BY TFT BEYOND THAT STATED IN THIS DOCUMENT.

This limited warranty gives you specific legal rights, and you may also have other rights which vary from state to state.