

EDUCTOR 125 SERIES IN-LINE

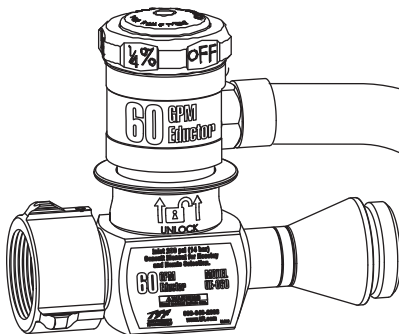
INSTRUCTION FOR INSTALLATION, OPERATION, AND MAINTENANCE

⚠ DANGER

Understand manual before use. Operation of this device without understanding the manual and receiving proper training is a misuse of this equipment. Obtain safety information at tft.com/serial-number.

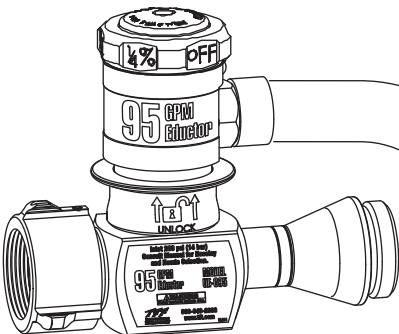
This equipment is intended for use by trained and qualified emergency services personnel for firefighting. All personnel using this equipment shall have completed a course of education approved by the Authority Having Jurisdiction (AHJ).

This instruction manual is intended to familiarize firefighters and maintenance personnel with the operation, servicing, and safety procedures associated with this product. This manual should be kept available to all operating and maintenance personnel.



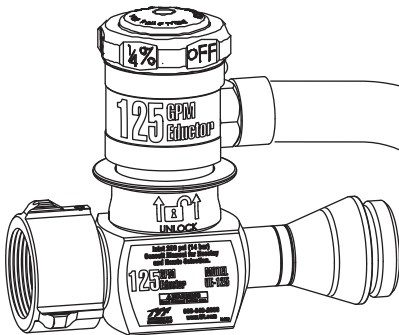
Models:

- 60 gpm (225 L/min)
- 95 gpm (263 L/min)
- 120 gpm (450 L/min)
- 125 gpm (475 L/min)



Concentration Settings:

OFF, 1/4%, 1/2%, 1%, 3%, 6%



Inlet Pressure:
200 psi (13.8 bar)
160 psi (11 bar)
145 psi (10 bar)

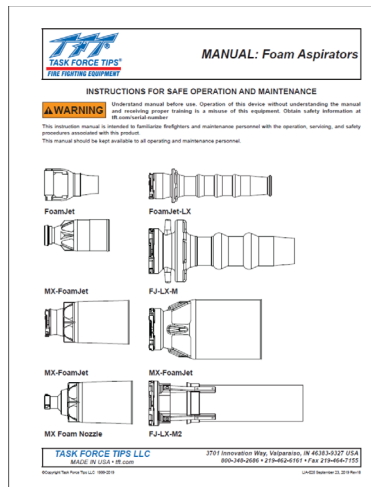
Maximum Back Pressure:
130 psi (9 bar)
100 psi (6.9 bar)
95 psi (6.5 bar)

TABLE OF CONTENTS

- 1.0 MEANING OF SAFETY SIGNAL WORDS
- 2.0 SAFETY
- 3.0 GENERAL INFORMATION
 - 3.1 USE WITH SALT WATER
 - 3.2 VARIOUS MODELS AND TERMS
- 4.0 OPERATING INSTRUCTIONS
 - 4.1 CLEANING INSTRUCTIONS
- 5.0 USE WITH FOAM
 - 5.1 FOAM SELECTION
 - 5.2 FOAM ATTACHMENT OPTIONS
 - 5.3 FOAM CONSUMPTION
 - 5.4 FOAM SUPPLY LOGISTICS
- 6.0 MAXIMUM HOSE LAY
- 7.0 NOZZLE SELECTION
 - 7.1 NOZZLE COMPATIBILITY
- 8.0 WARRANTY
- 9.0 MAINTENANCE
 - 9.1 SERVICE TESTING
 - 9.2 REPAIR
- 10.0 TROUBLE SHOOTING
- 11.0 EXPLODED VIEWS AND PARTS LISTS
- 12.0 OPERATION AND INSPECTION CHECKLIST

SUPPORTING MATERIALS

The following documents contain supporting safety and operating information pertaining to the equipment described in this manual.



LIA-025 Foam Aspirator Manual

DANGER

PERSONAL RESPONSIBILITY CODE

The member companies of FEMSA that provide emergency response equipment and services want responders to know and understand the following:

1. **Firefighting** and Emergency Response are inherently dangerous activities requiring proper training in their hazards and the use of extreme caution at all times.
2. **IT IS YOUR RESPONSIBILITY** to read and understand any user's instructions, including purpose and limitations, provided with any piece of equipment you may be called on to use.
3. **IT IS YOUR RESPONSIBILITY** to know that you have been properly trained in Firefighting and/or Emergency Response and in the use, precautions, and care of any equipment you may be called upon to use.
4. **IT IS YOUR RESPONSIBILITY** to be in proper physical condition and to maintain the personal skill level required to operate any equipment you may be called upon to use.
5. **IT IS YOUR RESPONSIBILITY** to know that your equipment is in operable condition and has been maintained in accordance with the manufacturer's instructions.
6. Failure to follow these guidelines may result in death, burns or other severe injury.





Fire and Emergency Manufacturers and Service Association, Inc.
PO Box 147, Lynnfield, MA 01940 • www.FEMSA.org

© 2020 FEMSA. All Rights Reserved.







The logo for FEMSA (Fire and Emergency Manufacturers and Service Association) is located in the bottom right corner of the page. It consists of the word "FEMSA" in a bold, white, sans-serif font, centered within a black diamond-shaped border.

1.0 MEANING OF SAFETY SIGNAL WORDS

A safety related message is identified by a safety alert symbol and a signal word to indicate the level of risk involved with a particular hazard. Per ANSI Z535.6, the definitions of the four signal words are as follows:

- | | |
|--|---|
|  | DANGER indicates a hazardous situation which, if not avoided, will result in death or serious injury. |
|  | WARNING indicates a hazardous situation which, if not avoided, could result in death or serious injury. |
|  | CAUTION indicates a potentially hazardous situation which, if not avoided, could result in minor or moderate injury. |
|  | NOTICE is used to address practices not related to physical injury. |

2.0 SAFETY

- | | |
|--|---|
|  | Lack of foam can place operator at risk of injury or death. Establish foam flow and adequate supply of concentrate for the task before advancing into hazardous situations. |
|  | This equipment is intended for use by trained personnel for firefighting. Use of this equipment for other purposes may involve hazards not addressed by this manual. Seek appropriate guidance and training to reduce risk of injury. |
|  | Improper use of foam or using the wrong type of foam can result in illness, injury, or damage to the environment. Follow foam manufacturer's instructions and fire service training as directed by the AHJ. |
|  | For Class B fires, lack of foam or interruption in the foam stream can cause a break in the foam blanket and greatly increase the risk of injury or death. Follow procedures established by the AHJ for the specific fuel and conditions. |
|  | Equipment may be damaged if frozen while containing significant amounts of water. Such damage may be difficult to detect visually. Subsequent pressurization can lead to injury or death. Any time the equipment is subject to possible damage due to freezing, it must be tested and approved for use by qualified personnel before being considered safe for use. |
|  | To prevent mechanical damage, do not drop or throw equipment. |

3.0 GENERAL INFORMATION

TFT's 125 Series Eductors can be used with 1/4% or 1/2% Class A foam concentrate for wildland, rural, and urban fire suppression on Class A fuels (wood, paper, combustible materials). Class A concentrates that have received USDA and USFS approval are recommended.

On class B materials, the eductors can be used with high viscosity 1%, 3%, 6%, 3x3%, and 3x6% Alcohol Resistant Class B concentrates.

The eductor can also be used with plain AFFF concentrates rated at 1%, 3% or 6% with various freeze protected foams, and with FFFP foam types. These foams generally have a lower viscosity than the calibration viscosity of the TFT eductor and will be inducted faster than expected resulting in stronger concentrations. While this does not degrade foam quality, it does reduce the operation time for a given foam supply. Testing should be done with the foam being used to assure accurate induction rate.

Standard inlet operating pressure is 200 psi (13.8 bar) on all standard TFT 125 Series Eductors. Contact the factory for custom inlet pressures of 160 psi (11 bar) and 145 psi (10 bar).

3.1 USE WITH SALT WATER

Consult foam manufacturer's documentation and training by the Authority Having Jurisdiction (AHJ) before mixing foam concentrate with salt water.

If the equipment is used with salt water, it must be thoroughly cleaned with fresh water after each use. The service life of the equipment may be shortened due to the effects of corrosion, and is not covered under warranty.

3.2 VARIOUS MODELS AND TERMS

TFT 125 Series Eductors are available in several flows and with a variety of inlet couplings. These must be specified at the time of order. Consult the factory for special thread requests.

The eductor can be split into two parts by grasping the locking ring and retracting it fully to separate the metering head from the eductor body. All the foam passageways can easily be inspected. The foam passageway into the eductor contains a free-floating check disk with three fins. The check disk is pressure activated to keep water from coming out of the pick-up hose and back into the foam pail.

The metering head contains a red back flush button that can be depressed to open the check disk.

The metering head also has a large proportioning knob that can be rotated to align the ball valve to six different detent positions, OFF, 1/4%, 1/2%, 1%, 3%, and 6%. Each foam setting has a precision sized metering orifice in the valve ball. The eductor cannot be operated between settings, as the metering orifices will not line up properly. The setting of the proportioning knob lines up with the white indicator ball.

CAUTION Intermixing metering heads and eductor bodies of different flow rates can cause incorrect foam strength, resulting in risk of injury as the ability to control the fire is compromised. Do not intermix metering heads with eductor bodies of different flow rates.

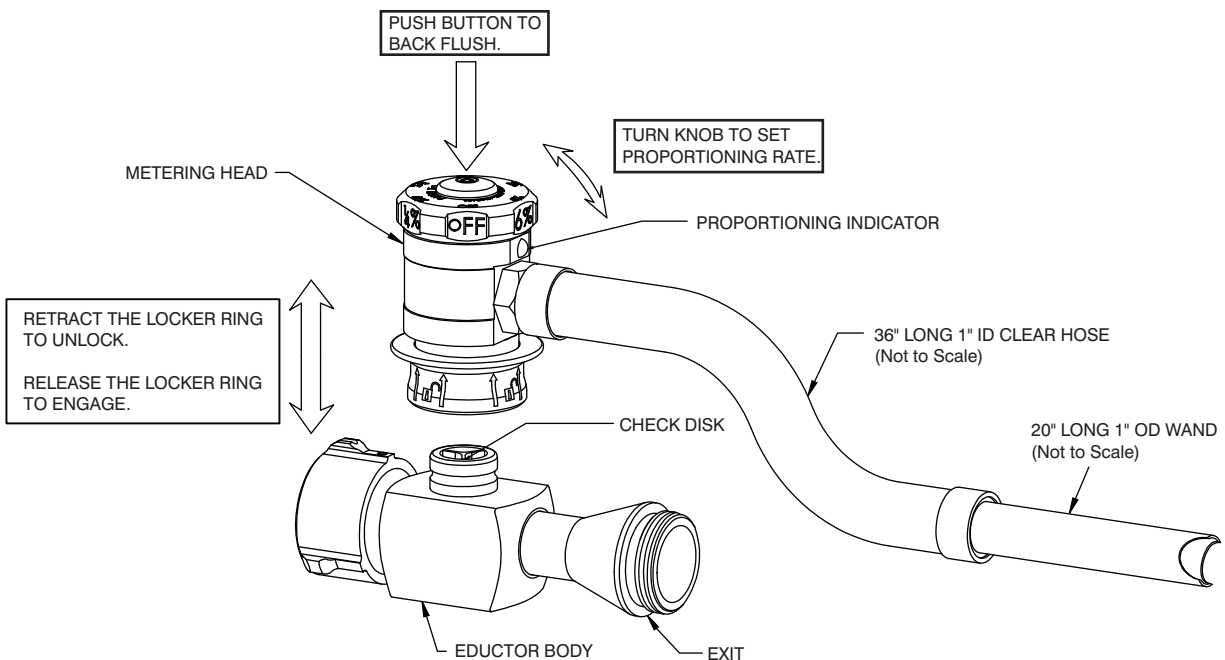


Figure 3.2

4.0 OPERATING INSTRUCTIONS

Refer to training approved by the AHJ for appropriate foam type, concentration, and hose length.

1. Choose the appropriate foam concentration.
2. Lay the appropriate hose line.
3. Connect the appropriate nozzle.
4. Charge the hose and open the nozzle fully to establish the water flow.
5. Adjust the pump pressure so the eductor inlet is set at pressure specified on body label.
6. Rotate the percentage knob to the desired concentration.
7. Place the concentrate intake wand in the foam supply.

4.1 CLEANING INSTRUCTIONS

The eductor must be cleaned after each use to prevent residual foam concentrate from clogging the passageways.

1. After use, take the concentrate intake hose out of the foam supply.
2. Turn down the pump pressure to below 75 psi (5.2 bar).
3. Shut off the nozzle.
4. Restrain the wand and expect a rapid discharge of water, especially at the 6% setting.
5. Push the red flush button to run fresh water through the hose and metering head on each setting until there is no visible foam in the flush water.
6. Retract the lock ring to remove the metering head.
7. Turn off water supply and remove the eductor from the hose so that any remaining foam residue can be washed from the wand, metering head and eductor.



Rapid backflush discharge from the wand could cause injury.

The backflush push button is pressure activated and must not be forced at pressures over 75 psi (5 bar). Do not backflush above 75 psi.

5.0 USE WITH FOAM

5.1 FOAM SELECTION

Actual foam concentrations vary with changes in water flow, foam concentrate temperature and viscosity. The user must verify that the concentrate's performance is suitable for use in their application. Refer to training approved by the AHJ regarding foam concentrate use. In all cases, the manufacturer's recommendations must be followed.



Mixing of foam concentrates can cause the contents of the foam tank to gel and produce unpredictable results. To reduce the risk of injury due to unpredictable foam production:

- **Do not mix different types of foam concentrates or foams of the same type from different manufacturers.**
- **Clean tank and foam passages thoroughly when changing foam types.**

5.2 FOAM ATTACHMENT OPTIONS

Expansion ratios vary depending on the type of nozzle used. Refer to training approved by the AHJ when choosing a foam nozzle or attachment.

Medium Expansion Nozzle — produces the greatest expansion ratios. It is generally used on Class B fuels for vapor suppression and Class A fuels when a longer lasting insulating layer of drier foam is desired.

Low Expansion Nozzle — can be used with either Class A or B foam solutions. Reach is slightly less than the smooth bore. It is generally used on Class B fires for extinguishment and Class A fuels to soak the fuel with a wet foam solution.

Straight Stream Nozzle — is for Class A foam solutions. Foam expansion will be negligible. For use where maximum reach or penetration is desired.

5.3 FOAM CONSUMPTION

The following tables indicate the theoretical foam concentrate flow rate and the time it will take to empty a 5 gallon (18.9 liters) container of various concentrates with eductors of different ratings.

60 GPM (225 L/min) Eductor

Setting	Foam Class	Time to Empty 5 Gallons	Foam Flow Rate
1/4%	A	33 min 20 sec	0.15 gpm (.057 L/min)
1/2%	A	16 min 40 sec	0.3 gpm (1.14 L/min)
1%	B	8 min 20 sec	0.6 gpm (2.27 L/min)
3%	B	2 min 47 sec	1.8 gpm (6.81 L/min)
6%	B	1 min 23 sec	3.6 gpm (13.62 L/min)

95 GPM (360 L/min) Eductor

Setting	Foam Class	Time to Empty 5 Gallons	Foam Flow Rate
1/4%	A	20 min 50 sec	0.24 gpm (0.9 L/min)
1/2%	A	10 min 25 sec	0.5 gpm (1.89 L/min)
1%	B	5 min 16 sec	1.0 gpm (3.78 L/min)
3%	B	1 min 45 sec	2.9 gpm (10.97 L/min)
6%	B	53 sec	5.7 gpm (28.38 L/min)

120 GPM (450 L/min) Eductor

Setting	Foam Class	Time to Empty 5 Gallons	Foam Flow Rate
1/4%	A	16 min 40 sec	0.29 gpm (1.09 L/min)
1/2%	A	8 min 20 sec	0.58 gpm (2.18 L/min)
1%	B	4 min 10 sec	1.25 gpm (4.72 L/min)
3%	B	1 min 23 sec	3.65 gpm (13.8 L/min)
6%	B	42 sec	7.2 gpm (27.25 L/min)

125 GPM (475 L/min) Eductor

Setting	Foam Class	Time to Empty 5 Gallons	Foam Flow Rate
1/4%	A	16 min	0.3 gpm (1.14 L/min)
1/2%	A	8 min	0.6 gpm (2.27 L/min)
1%	B	4 min	1.3 gpm (4.92 L/min)
3%	B	1 min 20 sec	3.8 gpm (14.38 L/min)
6%	B	40 sec	7.5 gpm (28.38 L/min)

Actual calibrated rate for each setting and the foam concentration used for calibration

Setting	Actual Rate	Foam Class	UL-162 Tolerance
1/4%	0.287%	A	.25 - .325%
1/2%	0.575%	A	.5 - .65%
1%	1.15%	B	1 - 1.3%
3%	3.45%	B	3 - 3.9%
6%	6.5%	B	6 - 7%

TESTING NOTES:

1. The Class A foam used for calibration is the “Knock Down” from National Foam. The calibration viscosity is 20 Centipoise.
2. The class B foam used for calibration is the “Universal Plus 3%/6% Alcohol Resistant Aqueous Film Forming Foam” (AR-AFFF) from National Foam. The calibration viscosity is 2892 Centipoise tested with Brookfield #3 Spindle @ 30 rpm.
3. TFT’s eductors were calibrated with 1 3/4” Conquest Hose.
 - UE-060-NF calibration hose length is 300 ft.
 - UE-095-NF calibration hose length is 250 ft.
 - UE-125-NF calibration hose length is 150 ft.

5.4 FOAM SUPPLY LOGISTICS



Lack of foam can place operator at risk of injury or death. To reduce the risk of injury due to lack of foam:

- Establish foam flow before advancing into hazardous situations.
- Keep an adequate supply of foam concentrate on hand.
- Check concentrate level periodically.

The foam suction hose is matched to the eductor and must not be lengthened. Lengthening the foam suction hose reduces foam flow, resulting in weak foam. Position foam buckets within reach of the standard length foam suction hose.

6.0 MAXIMUM HOSE LAY

The maximum hose lay is based on the back pressure. Pushing the foam solution through the hose and eductor causes back pressure on the eductor exit.

- On a 200 psi (13.8 bar) model, if the back pressure is over 130 psi (9 bar) the eductor will not work.
- On a 160 psi (11 bar) model, if the back pressure is over 100 psi (6.9 bar) the eductor will not work.
- On a 145 psi (10 bar) model, if the back pressure is over 95 psi (6.5 bar) the eductor will not work.

Elevation loss adds to the back pressure when the nozzle is higher than the eductor. For each foot in vertical height, there is 0.4 psi elevation loss.



Excess back pressure causes loss of foam flow resulting in risk of injury or death from an ineffective stream.

- Verify that adequate foam flow is established and maintained.
- Do not exceed the maximum back pressure.

Friction loss varies with different brand hoses. Determine the friction loss of your own hose. The nominal flow of the eductor is the sum of water plus foam concentrate when set at 6%. The eductor should always have its rated pressure at the inlet. The water flow does not change with different percentage settings; however, the inducted foam concentrate will change when the percentage setting is changed. Therefore, the total flow exiting the eductor is lower at 1/4% than at 6%. Longer hose lengths can be used when proportioning rate is less because less work is needed to move lower total flows.

7.0 NOZZLE SELECTION

Eductors work with any nozzle whose gallonage is equal or greater than that of the eductor. If a nozzle with a larger gallonage is used, the reach of nozzle and the proportioning rate of the eductor will be compromised.

Non-aspirated automatic nozzles can produce expansion ratios of 6-8:1 when measured at the end of the stream. By maintaining a constant nozzle pressure, automatic nozzles keep the velocity of the stream high. Large amounts of air are pulled into the stream and mix with the foam concentrate/water solution as the stream leaves the nozzle.

Air-aspirating devices, such as the TFT FOAMJET, allow a wider selection of foam concentrates to be used, and can produce a better quality of finished foam. The final expansion ratio and, amount of finished foam, depends on the type of foam concentrate being used.



Excess back pressure causes loss of foam flow resulting in risk of injury or death from an ineffective stream. Operate the nozzle fully open to prevent excessive back pressure.

7.1 NOZZLE COMPATIBILITY

The following tables list the compatibility between eductors and nozzles. A 75 psi (5 bar) nozzle will result in lower nozzle pressure and shorter stream reach.

UE-060 EDUCTOR
60 GPM (225 L/min)
200 PSI (13.8 bar) Inlet Pressure

TFT Nozzle Name	Nozzle Model #	Water Flow Setting	Nozzle Pressure	Low Expansion Foam Attachment	Multi-Expansion Foam Attachment
Twister	F2060, FS2060, FS2060P	60 gpm (230 L/min)	100 psi (7 bar)	NONE	FJ-MX-F
Bubble Cup	F2060BC, FS2060BC, FS2060BCP	60 gpm (230 L/min)	100 psi (7 bar)	BUILT-IN	BUILT-IN
Metro 0	ME0**	60 gpm 230 L/min)	100 or 75 psi (7 or 5 bar)	FJ-U FJ-LX-U	FJ-UMX
1.0" Quadrafog	DQ60, DQS60, DQS60P	5-10-24-40- 60 gpm (20-40-90-150- 230 L/min)	100 psi (7 bar)	FJ-DQ	FJ-MX-DQ
1.0" G-Force	Selectable Flow Fixed Pressure	15-30-45- 60 -75 gpm (55-110-170- 230 -285 L/min)	100 or 75 psi (7 or 5 bar)	FJ-GD FJ-LX-U	FJ-UMX
1.0" G-Force	Automatic Pressure with Variable Flow	30-80 gpm (110-300 L/min)	100 or 75 psi (7 or 5 bar)	FJ-GD FJ-LX-U	FJ-UMX
Ultimatic	B-*, BTO-*, BH-*, BGH-*	10-125 gpm (40-475 L/min)	100 psi (7 bar)	FJ-U FJ-LX-U	FJ-UMX
	BL-*, BTOL-*, BHL-*, BGHL-*	10-100 gpm (40-400 L/min)	75 psi 5 bar)		
Metro 1	ME1**	60 gpm (230 L/min)	100 or 75 psi (7 or 5 bar)	FJ-HM FJ-LX-HM	FJ-MX-HM
1.5" Quadrafog	FQ125**, FQS125**	30- 60 -95-125 gpm (110- 230 -360-470 L/min)	100 or 75 psi (7 or 5 bar)	FJ-LX-FQ	FJ-MX-FQ
QuadraCup	FQ125BC, FQS125BC**, FQCS**	30- 60 -95-125 gpm (110- 230 -360-470 L/min)	100 or 75 psi (7 or 5 bar)	BUILT-IN	BUILT-IN
1.5" G-Force	Selectable Flow Fixed Pressure	30- 60 -95-125-150 gpm (110- 230 -360-470-570 L/min)	100 or 75 psi (7 or 5 bar)	FJ-LX-G	FJ-MX-G
1.5" G-Force	Automatic Pressure with Variable Flow	60-150 gpm (230-570 L/min)	100 or 75 psi (7 or 5 bar)	FJ-LX-G	FJ-MX-G
Thunderfog	FT200*, FTS200*	30- 60 -95-125-150-200 gpm (110- 230 -360-470-570-750 L/min)	100 or 75 psi (7 or 5 bar)	NONE	FJ-MX-FT

Table 7.1A

UE-095 EDUCTOR
 95 GPM (360 L/min)
 200 PSI (13.8 bar) Inlet Pressure

TFT Nozzle Name	Nozzle Model #	Water Flow Setting	Nozzle Pressure	Low Expansion Foam Attachment	Multi-Expansion Foam Attachment
Twister	F2095, FS2095, FS2095P	95 gpm (360 L/min)	100 psi (7 bar)	NONE	FJ-MX-F
Bubble Cup	F2095BC, F95BC, FS2095BC, FS95BC, FS2095BCP, FS95BCP	95 gpm (360 L/min)	100 psi (7 bar)	BUILT-IN	BUILT-IN
Ultimatic	B-*, BTO-*, BH-*, BGH-*	10-125 gpm (40-475 L/min)	100 psi (7 bar)	FJ-U FJ-LX-U	FJ-UMX
	BL-*, BTOL-*, BHL-*, BGHL-*	10-100 gpm (40-400 L/min)	75 psi (5 bar)		
Metro 1	ME1*	95 gpm (360 L/min)	100 or 50 psi (7 or 3 bar)	FJ-HM FJ-LX-HM	FJ-MX-HM
Quadrafog	FQ**, FQS**	30-60- 95 -125 gpm (110-230- 360 -470 L/min)	100 or 75 psi (7 or 5 bar)	FJ-LX-FQ	FJ-MX-FQ
QuadraCup	FQ125BC, FQ125BC**, FQCS**	30-60- 95 -125 gpm (110-230- 360 -470 L/min)	100 or 75 psi (7 or 5 bar)	BUILT-IN	BUILT-IN
1.5" G-Force	Selectable Flow Fixed Pressure	30-60- 95 -125-150 gpm (110-230- 360 -470-570 L/min)	100 or 75 psi (7 or 5 bar)	FJ-LX-G	FJ-MX-G
1.5" G-Force	Automatic Pressure with Variable Flow	60-150 gpm 230-570 L/min	100 or 75 psi (7 or 5 bar)	FJ-LX-G	FJ-MX-G
Thunderfog	FT200*, FTS200*, FT250*, FTS250*, JT250*, JTS250*	30-60- 95 -125-150-200 gpm (110-230- 360 -470-570-750 L/min)	100 or 75 psi (7 or 5 bar)	NONE	FJ-MX-FT
Thunderfog	FT250**, FTS250*, FTS**, JT**, JTS**	95 -125-150-200-250 gpm (360 -470-570-680-950 L/min)	100 psi (7 bar)	NONE	FJ-MX-FT
Metro 2	ME2**	95 gpm (360 L/min)	100 psi (7 bar)	FJ-H	FJ-HMX
Mid-Matic	HM-**, HML-**	70-200 gpm (260-760 L/min)	100 or 75 psi (7 or 5 bar)	FJ-HM FJ-LX-HM	FJ-MX-HM
	HMK-*	70-180 gpm (260-680 L/min)	55 psi (4 bar)		
Mid-Force	HMD-**, HMDL-**	70-200 gpm (270-760 L/min)	100 or 75 psi (7 or 5 bar)	FJ-HM FJ-LX-HM	FJ-MX-HM
Handline	H-**	95-300 gpm (360-1140 L/min)	100 psi (7 bar)	FJ-H	FJ-HMX
	HL-**	95-250 gpm (360-950 L/min)	75 psi (5 bar)		
	HK-**	95-225 gpm (360-850 L/min)	55 psi (4 bar)		
Dual-Force	HD-**	95-300 gpm (360-1150 L/min)	100 psi (7 bar)	FJ-H	FJ-HMX
	HDL-**	95-250 gpm (360-950 L/min)	75 psi (5 bar)		

Table 7.1B

UE-125 EDUCTOR
 125 GPM (475 L/min)
 200 PSI (13.8 bar) Inlet Pressure

TFT Nozzle Name	Nozzle Model #	Water Flow Setting	Nozzle Pressure	Low Expansion Foam Attachment	Multi-Expansion Foam Attachment
Ultimatic	B-**	10-125 gpm (40-475 L/min)	100 psi (7 bar)	FJ-U FJ-LX-U	FJ-UMX
Metro 1	ME1*	125 gpm (475 L/min)	100, 75, or 50 psi (7, 5, or 3 bar)	FJ-HM FJ-LX-HM	FJ-MX-HM
Quadrafog	FQ125**, FQS125**	30-60-95- 125 gpm (110-230-360- 470 L/min)	100 or 75 psi (7 or 5 bar)	FJ-LX-FQ	FJ-MX-FQ
QuadraCup	FQ125BC, FQ125BC**, FQCS**	30-60-95- 125 gpm (110-230-360- 470 L/min)	100 or 75 psi (7 or 5 bar)	BUILT-IN	BUILT-IN
1.5" G-Force	Selectable Flow Fixed Pressure	30-60-95- 125 -150 gpm (110-230-360- 470 -570 L/min)	100 or 75 psi (7 or 5 bar)	FJ-LX-G	FJ-MX-G
1.5" G-Force	Automatic Pressure with Variable Flow	60-150 gpm 230-570 L/min	100 or 75 psi (7 or 5 bar)	FJ-LX-G	FJ-MX-G
Thunderfog	FT200*, FTS200*, FTS*	30-60-95- 125 -150-200 gpm (110-230-360- 470 -570-750 L/min)	100 or 75 psi (7 or 5 bar)	NONE	FJ-MX-FT
Thunderfog	FT250*, FTS250*, FTS**, JT**, JTS**	95- 125 -150-200-250 gpm (360- 470 -570-680-950 L/min)	100 or 75 psi (7 or 5 bar)	NONE	FJ-MX-FT
Metro 2	ME2*	125 gpm (475 L/min)	75 psi (5 bar)	FJ-H	FJ-HMX
Mid-Matic	HM-**, HML-*	70-200 gpm (260-760 L/min)	100 or 75 psi (7 or 5 bar)	FJ-LX-HM	FJ-MX-HM
	HMK-*	70-180 gpm (260-680 L/min)	55 psi (4 bar)		
Mid-Force	HMD-**	70-200 gpm (270-760 L/min)	100 or 75 psi (7 or 5 bar)	FJ-HM FJ-LX-HM	FJ-MX-HM
Handline	H-**	95-300 gpm (360-1160 L/min)	100 psi (7 bar)	FJ-H	FJ-HMX
	HL-**	95-250 gpm (360-950 L/min)	75 psi (5 bar)		
	HK-**	95-225 gpm (360-850 L/min)	55 psi (4 bar)		
Dual-Force	HD-**	95-300 gpm (360-1150 l/min)	100 psi (7 bar)	FJ-H	FJ-HMX
	HDL-**	95-250 gpm (360-950 L/min)	75 psi (5 bar)		

Table 7.1C

UEM-225 EDUCTOR
60 GPM (225 L/min)
160 PSI (11 bar) Inlet Pressure

TFT Nozzle Name	Nozzle Model #	Water Flow Setting	Nozzle Pressure	Low Expansion Foam Attachment	Multi-Expansion Foam Attachment
Metro 0	ME0**	60 gpm (220 L/min)	75 psi (5 bar)	FJ-U FJ-LX-U	FJ-UMX
1.0" G-Force	Selectable Flow Fixed Pressure	15-30-45- 60 -75 gpm (55-110-170- 230 -285 L/min)	75 psi (5 bar)	FJ-GD FJ-LX-U	FJ-UMX
1.0" G-Force	Automatic Pressure with Variable Flow	30-80 gpm (110-300 L/min)	75 psi (5 bar)	FJ-GD FJ-LX-U	FJ-UMX
Ultimatic	BL, BTOL, BHL, BGHL	10-100 gpm (40-400 L/min)	100 psi (7 bar)	FJ-U FJ-LX-U	FJ-UMX
Metro 1	ME1*	60 gpm (230 L/min)	75 psi (5 bar)	FJ-HM FJ-LX-HM	FJ-MX-HM
1.5" Quadrafog	FQ**, FQS**	30- 60 -95-125 gpm (110- 230 -360-470 L/min)	75 psi (5 bar)	FJ-LX-FQ	FJ-MX-FQ
QuadraCup	FQ125BC, FQS125BC**, FQCS**	30- 60 -95-125 gpm (110- 230 -360-470 L/min)	75 psi (5 bar)	BUILT-IN	BUILT-IN
1.5" G-Force	Selectable Flow Fixed Pressure	30- 60 -95-125-150 gpm (110- 230 -360-470-570 L/min)	75 psi (5 bar)	FJ-LX-G	FJ-MX-G
1.5" G-Force	Automatic Pressure with Variable Flow	60-150 gpm (230-570 L/min)	75 psi (5 bar)	FJ-LX-G	FJ-MX-G
Thunderfog	FT200*, FTS200*, FTS*	30- 60 -95-125-150-200 gpm (110- 230 -360-470-570-750 L/min)	75 psi (5 bar)	NONE	FJ-MX-FT

Table 7.1D

UE-450 EDUCTOR
 120 GPM (450 L/min)
 160 PSI (11 bar) Inlet Pressure

TFT Nozzle Name	Nozzle Model #	Water Flow Setting	Nozzle Pressure	Low Expansion Foam Attachment	Multi-Expansion Foam Attachment
Metro 1	ME1*	95 gpm (360 L/min)	100 or 50 psi (7 or 3 bar)	FJ-HM FJ-LX-HM	FJ-MX-HM
Quadrafog	FQ**, FQS**	30-60- 95 -125 gpm (110-230- 360 -470 L/min)	75 psi (5 bar)	FJ-LX-FQ	FJ-MX-FQ
QuadraCup	FQ125BC, FQ125BC**, FQCS**	30-60- 95 -125 gpm (110-230- 360 -470 L/min)	75 psi (5 bar)	BUILT-IN	BUILT-IN
1.5" G-Force	Selectable Flow Fixed Pressure	30-60- 95 -125-150 gpm (110-230- 360 -470-570 L/min)	75 psi (5 bar)	FJ-LX-G	FJ-MX-G
1.5" G-Force	Automatic Pressure with Variable Flow	60-150 gpm 230-570 L/min	75 psi (5 bar)	FJ-LX-G	FJ-MX-G
Thunderfog	FT200*, FTS200*, FTS*	30-60- 95 -125-150-200 gpm (110-230- 360 -470-570-750 L/min)	75 psi (5 bar)	NONE	FJ-MX-FT
Metro 2	ME2*	125 gpm (475L/min)	75 psi (5 bar)	FJ-H	FJ-HMX
Mid-Matic	HML-*	70-200 gpm (260-760 L/min)	75 psi (5 bar)	FJ-LX-HM	FJ-MX-HM
	HMK-*	70-180 gpm (260-680 L/min)	55 psi (4 bar)		
Mid-Force	HMDL-**	70-200 gpm (270-760 L/min)	75 psi (5 bar)	FJ-HM FJ-LX-HM	FJ-MX-HM
Handline	HL-**	95-250 gpm (360-950 L/min)	75 psi (5 bar)	FJ-H	FJ-HMX
	HK-**	95-225 gpm (360-850 L/min)	55 psi (4 bar)		
Dual-Force	HDL-**	95-250 gpm (360-950 L/min)	75 psi (5 bar)	FJ-H	FJ-HMX

Table 7.1E

8.0 WARRANTY

Task Force Tips LLC, 3701 Innovation Way, Valparaiso, Indiana 46383-9327 USA ("TFT") warrants to the original purchaser of its products ("equipment"), and to anyone to whom it is transferred, that the equipment shall be free from defects in material and workmanship during the five (5) year period from the date of purchase. TFT's obligation under this warranty is specifically limited to replacing or repairing the equipment (or its parts) which are shown by TFT's examination to be in a defective condition attributable to TFT. To qualify for this limited warranty, the claimant must return the equipment to TFT, at 3701 Innovation Way, Valparaiso, Indiana 46383-9327 USA, within a reasonable time after discovery of the defect. TFT will examine the equipment. If TFT determines that there is a defect attributable to it, TFT will correct the problem within a reasonable time. If the equipment is covered by this limited warranty, TFT will assume the expenses of repair.

If any defect attributable to TFT under this limited warranty cannot be reasonably cured by repair or replacement, TFT may elect to refund the purchase price of the equipment, less reasonable depreciation, in complete discharge of its obligations under this limited warranty. If TFT makes this election, claimant shall return the equipment to TFT free and clear of any liens and encumbrances.

This is a limited warranty. The original purchaser of the equipment, any person to whom it is transferred, and any person who is an intended or unintended beneficiary of the equipment, shall not be entitled to recover from TFT any consequential or incidental damages for injury to person and/or property resulting from any defective equipment manufactured or assembled by TFT.

It is agreed and understood that the price stated for the equipment is in part consideration for limiting TFT's liability. Some states do not allow the exclusion or limitation of incidental or consequential damages, so the above may not apply to you.

TFT shall have no obligation under this limited warranty if the equipment is, or has been, misused or neglected (including failure to provide reasonable maintenance) or if there have been accidents to the equipment or if it has been repaired or altered by someone else.

THIS IS A LIMITED EXPRESS WARRANTY ONLY. TFT EXPRESSLY DISCLAIMS WITH RESPECT TO THE EQUIPMENT ALL IMPLIED WARRANTIES OF MERCHANTABILITY AND ALL IMPLIED WARRANTIES OF FITNESS FOR A PARTICULAR PURPOSE. THERE IS NO WARRANTY OF ANY NATURE MADE BY TFT BEYOND THAT STATED IN THIS DOCUMENT.

This limited warranty gives you specific legal rights, and you may also have other rights which vary from state to state.

9.0 MAINTENANCE

The Eductor must be completely cleaned after each use. Lack of regular cleaning allows the foam concentrate to dry inside and around the percentage ball resulting in plugged metering orifices. Look down inside the metering head after flushing and check valve to ensure clean passageways.

9.1 SERVICE TESTING

In accordance with NFPA 1962, equipment must be tested a minimum of annually. Units failing any part of this test must be removed from service, repaired and retested upon completion of the repair.

9.2 REPAIR

Factory service is available with repair time seldom exceeding one day in our facility. Factory serviced equipment is repaired by experienced technicians, wet tested to original specifications, and promptly returned. Any returns should include a note as to the nature of the problem and whom to reach in case of questions.

Repair parts and service procedures are available for those wishing to perform their own repairs. Task Force Tips assumes no liability for damage to equipment or injury to personnel that is a result of user service. Contact the factory or visit the web site at tft.com for parts lists, exploded views, test procedures and troubleshooting guides.

Performance tests shall be conducted on the equipment after a repair, or anytime a problem is reported to verify operation in accordance with TFT test procedures. Consult factory for the procedure that corresponds to the model and serial number of the equipment. Any equipment which fails the related test criteria should be removed from service immediately. Troubleshooting guides are available with each test procedure or equipment can be returned to the factory for service and testing.



Any alterations to the product or its markings could diminish safety and constitutes a misuse of this product.



All replacement parts must be obtained from the manufacturer to assure proper operation of the device.

10.0 TROUBLE SHOOTING

SYMPTOM	POSSIBLE CAUSE	REMEDY
Eductor picks up too much foam concentrate	Percentage Knob is set at higher percentage than desired	Turn knob to desired percentage
	Eductor inlet pressure is incorrect	Set eductor inlet pressure to pressure specified on labels
	Metering head paired with incorrect body	Use correct metering head for body
Weak Foam or No Foam	Out of foam or bucket is nearly empty	Refill tank
	Percentage knob is set to lower percentage or is set to OFF	Turn knob to desired percentage
	Percentage ball is partially or completely plugged	Take off the meter head and clean debris out of the percentage ball
	Hose lay is incorrect	Correct hose lay per training approved by the AHJ
	Eductor inlet pressure is incorrect	Set eductor inlet pressure to pressure specified on labels
	Hose is kinked	Straighten kinks out of hose
	Concentrate intake hose is completely or partially clogged	Clean debris out of concentrate intake hose
	Valve in nozzle is not fully open	Fully open valve in nozzle
	Nozzle size is incorrect	Select correct nozzle
	Nozzle is clogged	Flush nozzle to clear out debris or remove nozzle to clean debris out
	Foam has thickened due to cold temperatures	Use a foam suitable for temperatures

Table 10.0

11.0 EXPLODED VIEWS AND PARTS LISTS

Exploded views and parts lists are available at tft.com/serial-number.

12.0 OPERATION AND INSPECTION CHECKLIST

BEFORE EACH USE, the Eductor must be inspected to this checklist:

1. There is no obvious damage such as missing, broken or loose parts, damaged labels, etc.
2. All controls move freely and operate properly.
3. Waterways, foam passages, and foam suction hose are not obstructed.
4. There are no leaks when the Eductor is flowing.

BEFORE BEING PLACED BACK IN SERVICE, the Eductor must be inspected to this list:

1. All controls and adjustments are operational.
2. There are no broken or missing parts.
3. There is no damage that could impair safe operation (e.g. detents, cracks, corrosion, or other defects).
4. The waterway is clear of obstructions.
5. The Eductor is cleaned and markings are legible.



WARNING Equipment failing any part of the checklist is unsafe for use and must have the problem corrected before use or being placed back into service. Operating equipment that has failed the checklist is a misuse of this equipment.