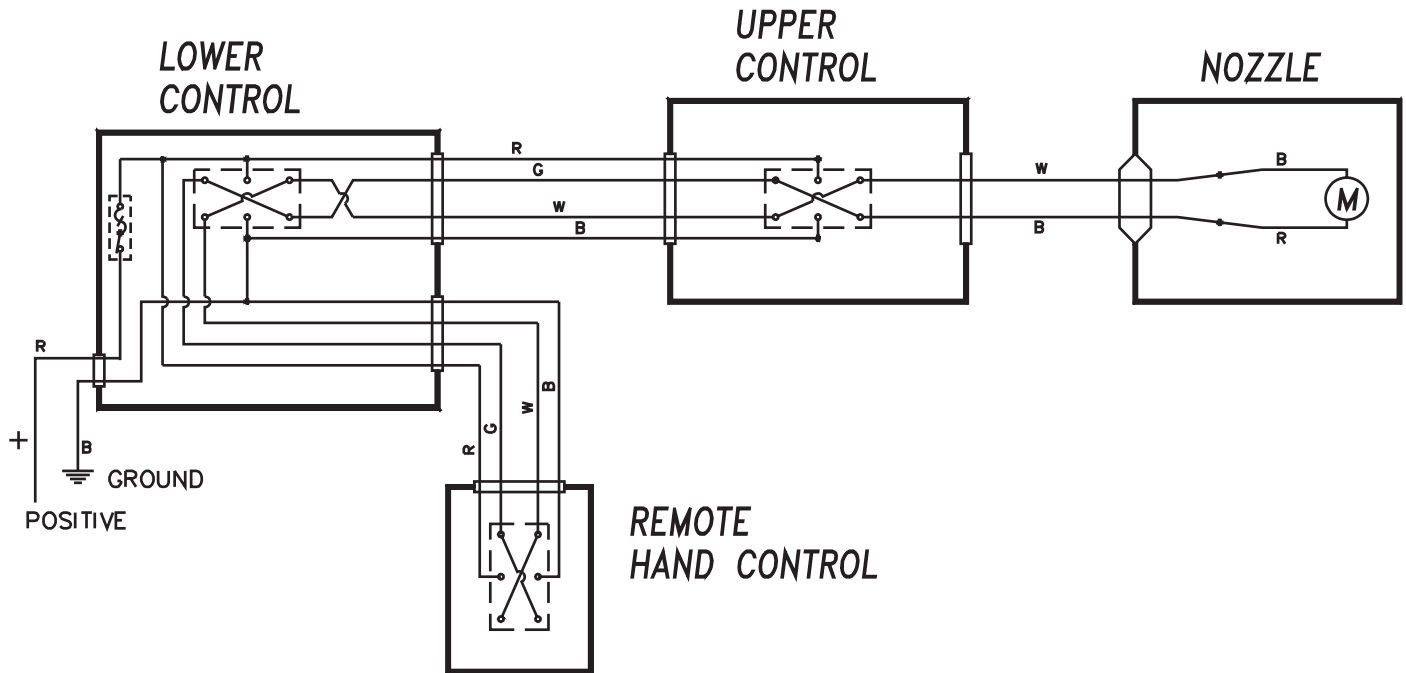




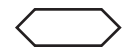

TASK FORCE TIPS ELECTRIC REMOTE NOZZLES

ELECTRIC REMOTE WIRING DIAGRAM



LESS ELABORATE WIRING SYSTEMS MAY BE USED BY ELIMINATING UPPER CONTROL OR REMOTE CONTROL STATIONS

LEGEND

-  SWITCH DPDT 5 AMP MIN.
MOMENTARY ON, CENTER OFF
-  CIRCUIT BREAKER – NOT INCLUDED WITH NOZZLE
3 MDL, 3 AMP, 12 VOLT FOR 12 & 24 VDC SYSTEM
1.5 MDL, 1.5 AMP, 24 VOLT FOR 24 & 36 VDC SYSTEM
-  WATERPROOF CORD CONNECTOR
-  OPTIONAL – WATERPROOF CORD CONNECTOR OR WATER RESISTANT PLUG AND RECEPTACLE

 MOTOR

LEADS

- R – RED
- G – GREEN
- W – WHITE
- B – BLACK