

INSTRUCTIONS FOR INSTALLATION, OPERATION, AND MAINTENANCE

▲WARNING

Understand manual before use. Operation of this device without understanding the manual and receiving proper training is a misuse of this equipment. Obtain safety information at tft.com/serial-number.

This equipment is intended for use by trained and qualified emergency services personnel for firefighting. All personnel using this equipment shall have completed a course of education approved by the Authority Having Jurisdiction (AHJ).

This instruction manual is intended to familiarize firefighters and maintenance personnel with the operation, servicing, and safety procedures associated with this product. This manual should be kept available to all operating and maintenance personnel.

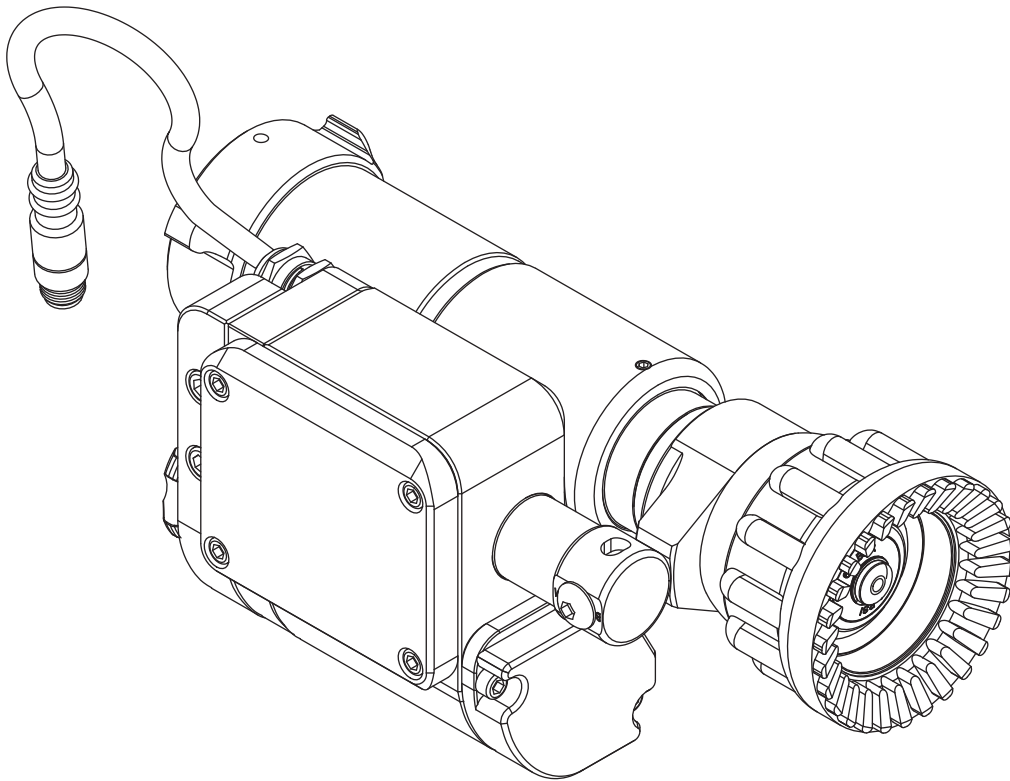
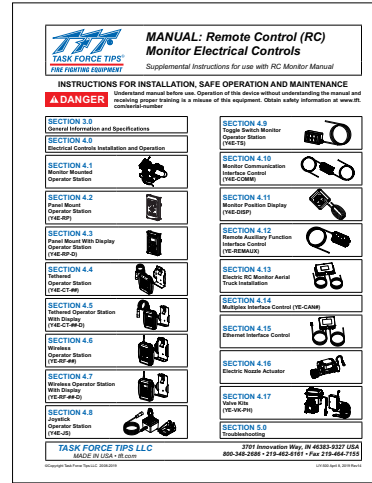


TABLE OF CONTENTS

- 1.0 MEANING OF SAFETY SIGNAL WORDS
- 2.0 SAFETY
- 3.0 GENERAL INFORMATION
 - 3.1 VARIOUS MODELS AND TERMS
 - 3.2 SPECIFICATIONS
 - 3.3 USE WITH SALT WATER
 - 3.4 NOZZLE COUPLINGS
- 4.0 ELECTRICAL INSTALLATION
- 5.0 FLOW CHARACTERISTICS
 - 5.1 REACH AND TRAJECTORY
- 6.0 PATTERN CONTROL
- 7.0 FLUSHING DEBRIS
- 8.0 USE WITH FOAM
- 9.0 WARRANTY
- 10.0 MAINTENANCE
 - 10.1 FIELD LUBRICATION
 - 10.2 SERVICE TESTING
 - 10.3 REPAIR
- 11.0 EXPLODED VIEWS AND PARTS LISTS
- 12.0 OPERATION AND INSPECTION CHECKLIST

SUPPORTING MATERIALS

The following document contains supporting safety and operating information pertaining to the equipment described in this manual.



LIY-500
Remote Control (RC) Monitor
Electrical Controls

DANGER

PERSONAL RESPONSIBILITY CODE

The member companies of FEMSA that provide emergency response equipment and services want responders to know and understand the following:

1. Firefighting and Emergency Response are inherently dangerous activities requiring proper training in their hazards and the use of extreme caution at all times.
2. **IT IS YOUR RESPONSIBILITY** to read and understand any user's instructions, including purpose and limitations, provided with any piece of equipment you may be called on to use.
3. **IT IS YOUR RESPONSIBILITY** to know that you have been properly trained in Firefighting and/or Emergency Response and in the use, precautions, and care of any equipment you may be called upon to use.
4. **IT IS YOUR RESPONSIBILITY** to be in proper physical condition and to maintain the personal skill level required to operate any equipment you may be called upon to use.
5. **IT IS YOUR RESPONSIBILITY** to know that your equipment is in operable condition and has been maintained in accordance with the manufacturer's instructions.
6. Failure to follow these guidelines may result in death, burns or other severe injury.





Fire and Emergency Manufacturers and Service Association, Inc.
PO Box 147, Lynnfield, MA 01940 • www.FEMSA.org

© 2020 FEMSA. All Rights Reserved.










1.0 MEANING OF SAFETY SIGNAL WORDS

A safety related message is identified by a safety alert symbol and a signal word to indicate the level of risk involved with a particular hazard. Per ANSI Z535.6, the definitions of the four signal words are as follows:

-  **DANGER** indicates a hazardous situation which, if not avoided, will result in death or serious injury.
-  **WARNING** indicates a hazardous situation which, if not avoided, could result in death or serious injury.
-  **CAUTION** indicates a potentially hazardous situation which, if not avoided, could result in minor or moderate injury.
-  **NOTICE** is used to address practices not related to physical injury.

2.0 SAFETY

-  **DANGER** An inadequate supply of pressure and/or flow will cause an ineffective stream and can result in injury or death. Choose operating conditions to deliver adequate fire suppression. See flow graphs.
-  **WARNING** This equipment is intended for use by trained personnel for firefighting. Use of this equipment for other purposes may involve hazards not addressed by this manual. Seek appropriate guidance and training to reduce risk of injury.
-  **WARNING** Injury or damage can occur from an inadequately supported monitor. The mounting must be capable of supporting the nozzle reaction force.
-  **WARNING** Equipment may be damaged if frozen while containing significant amounts of water. Such damage may be difficult to detect visually. Subsequent pressurization can lead to injury or death. Any time the equipment is subject to possible damage due to freezing, it must be tested and approved for use by qualified personnel before being considered safe for use.
-  **WARNING** Application of water or foam solutions on energized electrical equipment could cause electrocution. Serious injury or death could result. Assume circuits are energized until confirmed to be de-energized. Do not apply water or foam to energized electrical equipment.
-  **WARNING** The stream exiting a nozzle is powerful and capable of causing injury and property damage. Make sure the nozzle is securely attached and pointing in a safe direction before water is turned on. Do not direct water stream to cause injury or damage to persons or property.
-  **NOTICE** To prevent mechanical damage, do not drop or throw equipment.

3.0 GENERAL INFORMATION

Task Force Tips Ultimatic ER nozzles have a clean, far reaching stream designed to provide excellent performance under most firefighting conditions. The rugged construction is compatible with the use of fresh water as well as fire fighting foam solutions.

3.1 VARIOUS MODELS AND TERMS

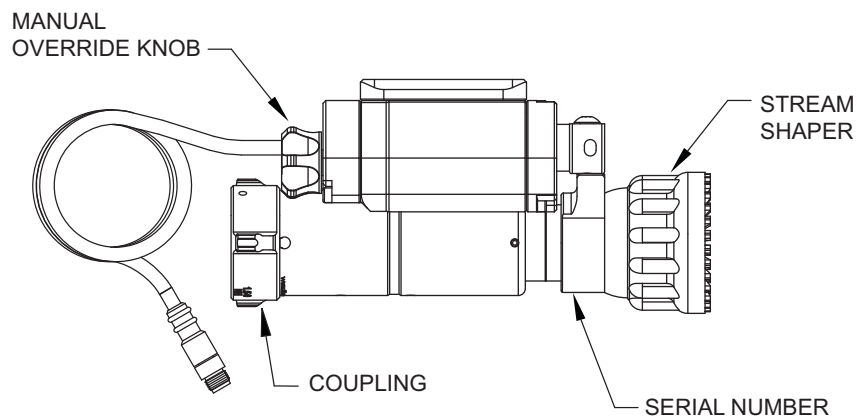


Figure 3.1

3.2 SPECIFICATIONS

MECHANICAL		
Weight	6.4 lbs	2.9 kg
Operating Pressure*	100 psi	7 bar
Maximum Inlet Pressure	800 psi	55 bar
Operating Temperature of Fluid	33 to 120°F	1 to 50°C
Storage Temperature Range	-40 to 150°F	-40 to 65°C
Speed Stream-Fog	3.4 sec.	3.4 sec.
Materials Used	Aluminum 6000 series hard anodized MIL 8625 class 3 type 2, stainless steel 300 series, nylon 6-6, nitrile rubber	
*Consult factory for higher pressure applications		

ELECTRICAL			
Nominal Operating Voltage	12 or 24 VDC (auto sense)		
Motor Current	Nominal**		Limit
	@ 12 VDC	@ 24 VDC	@ 12 VDC @ 24 VDC
Nozzle Motor	1 amp	0.5 amps	5 amps 2.5 amps
	**with rated pressure applied		
Environmental Rating	All components designed to meet minimum rating of IP66/IP67.		

Table 3.2

3.3 USE WITH SALT WATER

Use with salt water is permissible provided the equipment is thoroughly cleaned with fresh water after each use. The service life of the equipment may be shortened due to the effects of corrosion, and is not covered under warranty.

3.4 NOZZLE COUPLINGS

NH (National Hose) threads are standard on all nozzles. Other threads such as NPSH (National Pipe Straight Hose) may be specified at time of order.



Mismatched or damaged waterway connections may cause equipment to leak or uncouple under pressure. Failure could result in injury. Equipment must be mated to matched connections.



Dissimilar metals coupled together can cause galvanic corrosion that can result in the inability to uncouple the connection, or complete loss of engagement over time. Failure could cause injury. Per NFPA 1962, if dissimilar metals are left coupled together, an anti-corrosive lubricant should be applied to the connection and the coupling should be disconnected and inspected at least quarterly.

4.0 ELECTRICAL INSTALLATION

For nozzle installation, refer to LIY-500 Remote Control (RC) Monitor Electrical Controls (shipped with TFT monitors or available at tft.com).



This device is not rated as ignition proof, explosion proof, or intrinsically safe. Use only in locations with adequate ventilation and no hazard of flammable vapor buildup.

5.0 FLOW CHARACTERISTICS

Each Ultimatic ER nozzle has a pressure rating on the face of the baffle which can be seen by looking at the front end of the nozzle. Make sure that the pump system that is being used is capable of the flows and pressures of the selected Ultimatic ER Model.

Automatic nozzles operate by sensing the pressure at the nozzle inlet and adjusting the discharge opening to maintain a constant pressure throughout the flow range of the nozzle. For example, when the pressure at the inlet increases, the exit area is automatically increased until the inlet pressure returns to the nominal pressure of the nozzle.

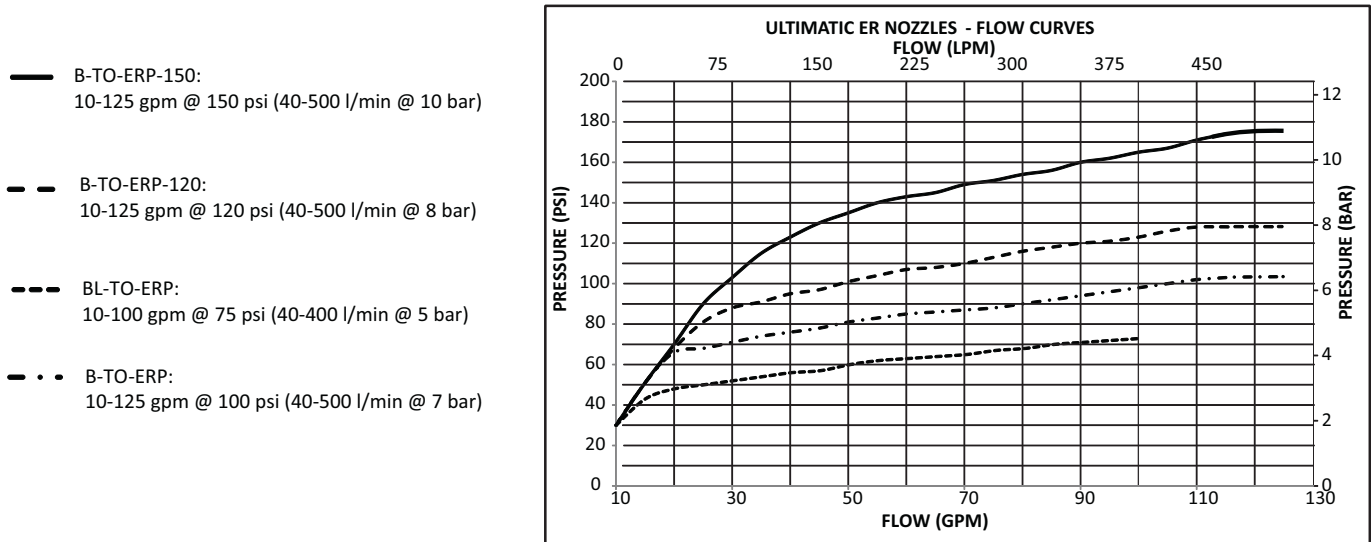
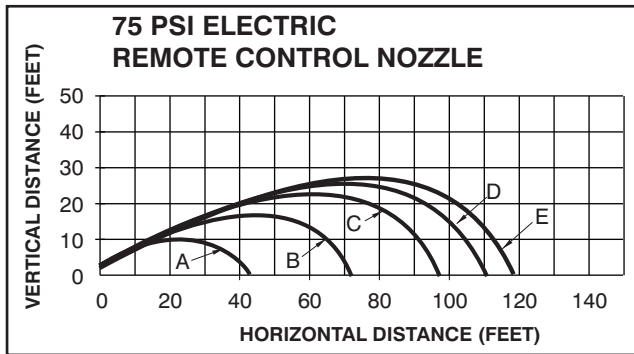


Figure 5.0

5.1 REACH AND TRAJECTORY

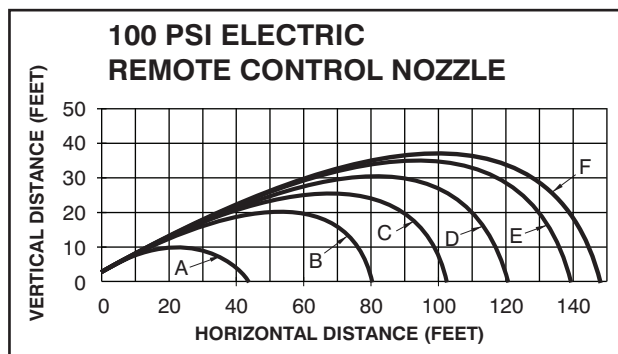
These trajectories, reach and reaction numbers are provided for reference. All data based on 30 degree nozzle discharge angle, in straight stream setting. Actual trajectories, reach and reactions may vary with wind conditions, fluid type, fluid/water ratio, fluid temperature, pressure and flow at the nozzle. It is the operator's responsibility to determine that the system provides adequate reach for the intended purpose.



CURVE	GPM FLOW	PSI INLET PRESSURE	LBS REACTION
A	10	26	3
B	25	46	9
C	50	59	19
D	75	69	31
E	100	80	45

CURVE	LPM FLOW	KG/CM ² INLET PRESSURE	KG REACTION
A	38	1.8	1.4
B	95	3.2	4.0
C	190	4.1	8.6
D	284	4.8	14
E	379	5.6	20

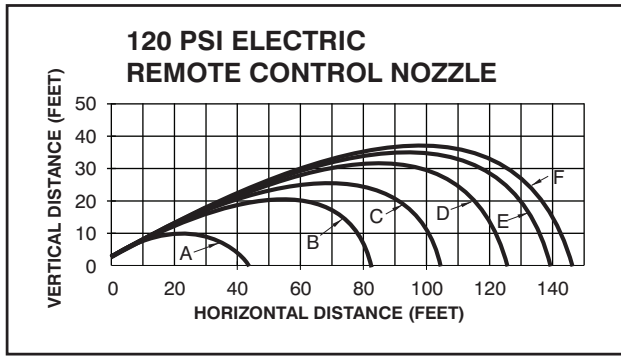
Figure 5.1A



CURVE	GPM FLOW	PSI INLET PRESSURE	LBS REACTION
A	10	26	3
B	25	69	10
C	50	84	23
D	75	91	36
E	100	110	53
F	125	122	70

CURVE	LPM FLOW	KG/CM ² INLET PRESSURE	KG REACTION
A	38	1.8	1.4
B	95	4.8	4.5
C	190	4.1	10.4
D	284	6.4	16.3
E	379	7.7	24.0
F	473	8.6	31.8

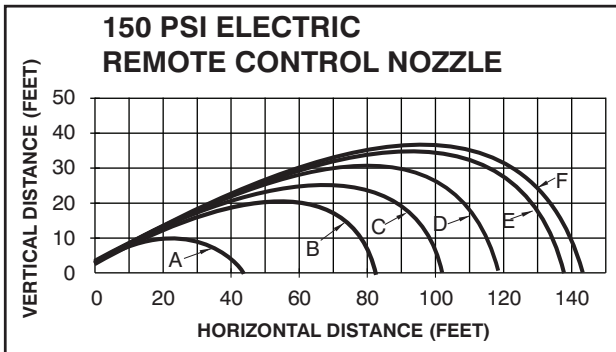
Figure 5.1B



CURVE	LPM FLOW	KGf/CM ² INLET PRESSURE	KGf REACTION
A	38	1.9	1.4
B	95	5.8	5.4
C	190	7.2	12.2
D	284	7.9	19.0
E	379	8.6	26.8
F	473	9.0	34.0

CURVE	GPM FLOW	PSI INLET PRESSURE	LBS REACTION
A	10	27	3
B	25	90	13
C	50	135	31
D	75	151	49
E	100	165	68
F	125	175	87

Figure 5.1C



CURVE	GPM FLOW	PSI INLET PRESSURE	LBS REACTION
A	10	27	3
B	25	90	13
C	50	135	31
D	75	151	49
E	100	165	68
F	125	175	87

CURVE	LPM FLOW	KGf/CM ² INLET PRESSURE	KGf REACTION
A	38	1.9	1.4
B	95	6.3	5.9
C	190	9.5	14.0
D	284	10.6	22.2
E	379	11.6	30.9
F	473	12.3	39.5

Figure 5.1D

6.0 PATTERN CONTROL

Use the FOG and STRAIGHT STREAM buttons on the nozzle controller to move the shaper to the desired stream setting. Moving the shaper forward transitions to the straight stream position. Moving the shaper rearward will result in an increasingly wider pattern.

To operate the nozzle manually: Turn the MANUAL OVERRIDE KNOB in either direction to change the stream position.

Since the stream trim point varies with the flow, the stream should be 'trimmed' after changing the flow to obtain the straightest and furthest reaching stream. The nozzle reaction is greatest when the shaper is in the straight-stream position.

To properly trim a stream, first open the pattern to a narrow fog. Then close the stream to parallel to give maximum reach.

NOTICE Turning the shaper further forward will cause stream crossover and reduce the reach of the nozzle.

7.0 FLUSHING DEBRIS

WARNING Large amounts or pieces of debris may be unflushable and can reduce the flow of the nozzle resulting in an ineffective flow. In the event of a blockage, it may be necessary to retreat to a safe area, uncouple the nozzle and remove debris.

Debris in the water may get caught inside the nozzle. This trapped material will cause poor stream quality, shortened reach, and reduced flow. Debris can be flushed as follows:

1. While flowing water, move the shaper rearward past the full fog position until it stops traveling. *This will open the nozzle allowing debris to pass through.
2. Move the shaper forward, out of flush position to resume normal operation.

*When used with a TFT RC Monitor equipped with Smart Stream technology, the FOG button must be pressed and held a second time to reach the FLUSH position. Doing this prevents unintentional flushing of the nozzle, which causes reduced reach and increased flow rate, potentially depleting the water supply more quickly.

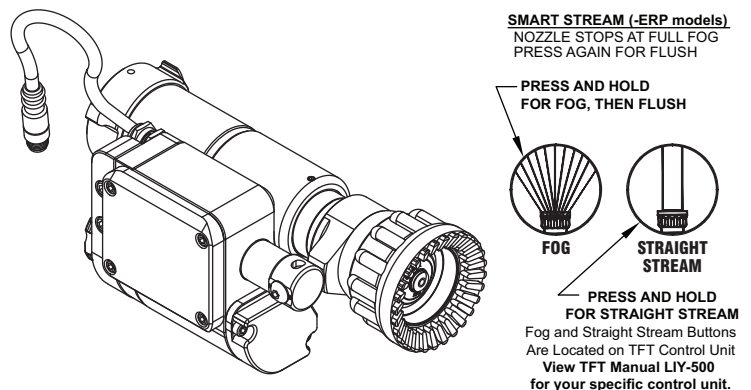


Figure 7.0

8.0 USE WITH FOAM

The nozzle may be used with foam solutions. Refer to fire service training by the Authority Having Jurisdiction (AHJ) for the proper use of foam.



For Class B fires, lack of foam or interruption in the foam stream can cause a break in the foam blanket and greatly increase the risk of injury or death. Follow procedures established by the AHJ for the specific fuel and conditions.



Improper use of foam or using the wrong type of foam can result in illness, injury, or damage to the environment. Follow foam manufacturer's instructions and fire service training as directed by the AHJ.

9.0 WARRANTY

Task Force Tips LLC, 3701 Innovation Way, Valparaiso, Indiana 46383-9327 USA ("TFT") warrants to the original purchaser of its products ("equipment"), and to anyone to whom it is transferred, that the equipment shall be free from defects in material and workmanship during the five (5) year period from the date of purchase. TFT's obligation under this warranty is specifically limited to replacing or repairing the equipment (or its parts) which are shown by TFT's examination to be in a defective condition attributable to TFT. To qualify for this limited warranty, the claimant must return the equipment to TFT, at 3701 Innovation Way, Valparaiso, Indiana 46383-9327 USA, within a reasonable time after discovery of the defect. TFT will examine the equipment. If TFT determines that there is a defect attributable to it, TFT will correct the problem within a reasonable time. If the equipment is covered by this limited warranty, TFT will assume the expenses of repair.

If any defect attributable to TFT under this limited warranty cannot be reasonably cured by repair or replacement, TFT may elect to refund the purchase price of the equipment, less reasonable depreciation, in complete discharge of its obligations under this limited warranty. If TFT makes this election, claimant shall return the equipment to TFT free and clear of any liens and encumbrances.

This is a limited warranty. The original purchaser of the equipment, any person to whom it is transferred, and any person who is an intended or unintended beneficiary of the equipment, shall not be entitled to recover from TFT any consequential or incidental damages for injury to person and/or property resulting from any defective equipment manufactured or assembled by TFT.

It is agreed and understood that the price stated for the equipment is in part consideration for limiting TFT's liability. Some states do not allow the exclusion or limitation of incidental or consequential damages, so the above may not apply to you.

TFT shall have no obligation under this limited warranty if the equipment is, or has been, misused or neglected (including failure to provide reasonable maintenance) or if there have been accidents to the equipment or if it has been repaired or altered by someone else.

THIS IS A LIMITED EXPRESS WARRANTY ONLY. TFT EXPRESSLY DISCLAIMS WITH RESPECT TO THE EQUIPMENT ALL IMPLIED WARRANTIES OF MERCHANTABILITY AND ALL IMPLIED WARRANTIES OF FITNESS FOR A PARTICULAR PURPOSE. THERE IS NO WARRANTY OF ANY NATURE MADE BY TFT BEYOND THAT STATED IN THIS DOCUMENT.

This limited warranty gives you specific legal rights, and you may also have other rights which vary from state to state.

10.0 MAINTENANCE

TFT products are designed and manufactured to be damage resistant and require minimal maintenance. However, as the primary firefighting tool upon which your life depends, it should be treated accordingly. To help prevent mechanical damage, do not drop or throw equipment.

10.1 FIELD LUBRICATION

All Task Force Tips nozzles are factory lubricated with high quality silicone grease. This lubricant has excellent wash out resistance, providing long term performance in firefighting nozzles. If your agency has unusually hard or sandy water, the moving parts of the nozzle may be affected. Foam agents and water additives contain soaps and chemicals that may break down the factory lubrication.

The moving parts of the nozzle should be checked on a regular basis for smooth and free operation, and for signs of damage. **IF THE NOZZLE IS OPERATING CORRECTLY, THEN NO ADDITIONAL LUBRICANT IS NEEDED.** Any nozzle that is not operating correctly should be immediately removed from service. The nozzle can be returned to the factory at any time for a complete checkup and re-lubrication with silicone grease.

The field use of Break Free CLP (spray or liquid) lubricant will help to temporarily restore the smooth and free operation of the nozzle. These lubricants do not have the washout resistance and long-term performance of the silicone grease. Once Break Free CLP is applied, re-application will be needed on a regular basis until the nozzle can be returned to the factory for a complete checkup and re-lubrication with silicone grease.



Aerosol lubricants contain solvents that can swell O-Rings if applied in excess. The swelling can inhibit smooth operation of the moving parts. When used in moderation, as directed, the solvents quickly evaporate without adversely swelling the O-Rings.

10.2 SERVICE TESTING

In accordance with NFPA 1962, equipment must be tested a minimum of annually. Units failing any part of this test must be removed from service, repaired and retested upon completion of the repair.

10.3 REPAIR

Factory service is available with repair time seldom exceeding one day in our facility. Factory serviced equipment is repaired by experienced technicians, wet tested to original specifications, and promptly returned. Any returns should include a note as to the nature of the problem and whom to reach in case of questions.

Repair parts and service procedures are available for those wishing to perform their own repairs. Task Force Tips assumes no liability for damage to equipment or injury to personnel that is a result of user service. Contact the factory or visit the web site at tft.com for parts lists, exploded views, test procedures and troubleshooting guides.

Performance tests shall be conducted on the equipment after a repair, or anytime a problem is reported to verify operation in accordance with TFT test procedures. Consult factory for the procedure that corresponds to the model and serial number of the equipment. Any equipment which fails the related test criteria should be removed from service immediately. Troubleshooting guides are available with each test procedure or equipment can be returned to the factory for service and testing.



Any alterations to the product or its markings could diminish safety and constitutes a misuse of this product.



All replacement parts must be obtained from the manufacturer to assure proper operation of the device.

11.0 EXPLODED VIEWS AND PARTS LISTS

Exploded views and parts lists are available at tft.com/serial-number.

12.0 OPERATION AND INSPECTION CHECKLIST

BEFORE EACH USE, the nozzle must be inspected to this checklist:

1. There is no obvious damage such as missing, broken or loose parts, damaged labels etc.
2. Waterway is clear of obstructions
3. Coupling is tight and leak free
4. Nozzle flow is adequate as indicated by pump pressure and nozzle reaction
5. Shaper turns freely and adjusts pattern through full range
6. Shaper detent (if so equipped) operates smoothly and positively.

BEFORE BEING PLACED BACK IN SERVICE, nozzles must be inspected to this checklist:

1. *All controls and adjustments are operational*
2. *Shut off valve (if so equipped) closes off the flow completely*
3. *There are no broken or missing parts*
4. *There is no damage to the nozzle that could impair safe operation (e.g. dents, cracks, corrosion or other defects)*
5. *The thread gasket is in good condition*
6. *The waterway is clear of obstructions*
7. *Nozzle is clean and markings are legible*
8. *Coupling is retightened properly*
9. *Shaper is set to desired pattern*



Equipment failing any part of the checklist is unsafe for use and must have the problem corrected before use or being placed back into service. Operating equipment that has failed the checklist is a misuse of this equipment.