



4-Way Valved Manifold with Detented Slow Close

(Supplement to LIA-500)

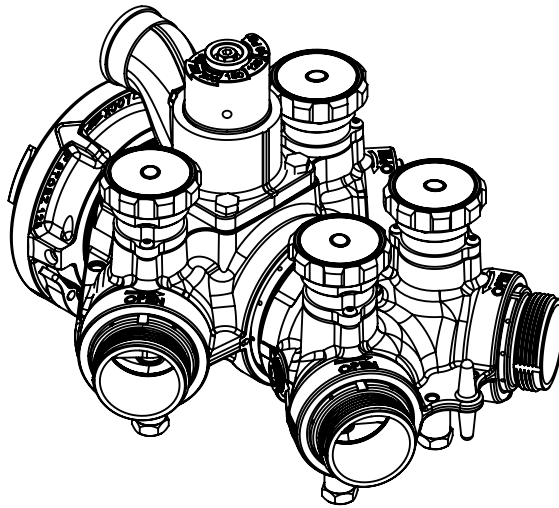
INSTRUCTIONS FOR INSTALLATION, OPERATION, AND MAINTENANCE

WARNING

Understand manual before use. Operation of this device without understanding the manual and receiving proper training is a misuse of this equipment. Obtain safety information at tft.com/serial-number.

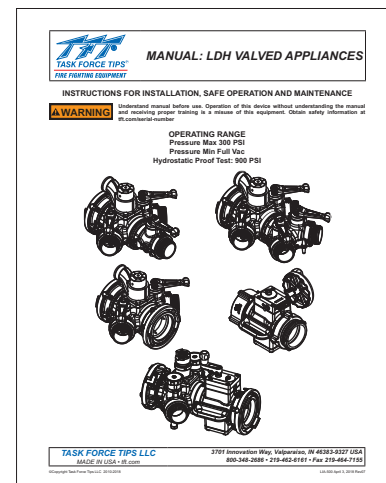
This equipment is intended for use by trained and qualified emergency services personnel for firefighting. All personnel using this equipment shall have completed a course of education approved by the Authority Having Jurisdiction (AHJ).

This instruction manual is intended to familiarize firefighters and maintenance personnel with the operation, servicing, and safety procedures associated with this product. This manual should be kept available to all operating and maintenance personnel.



SUPPORTING MATERIALS

This manual is intended to be used in conjunction with LIA-500 operation manual. LIA-500 must be read before operating any LDH Valved Appliance. All TFT required reading materials can be located at the following URL (tft.com/literature).



TASK FORCE TIPS LLC
MADE IN USA · tft.com

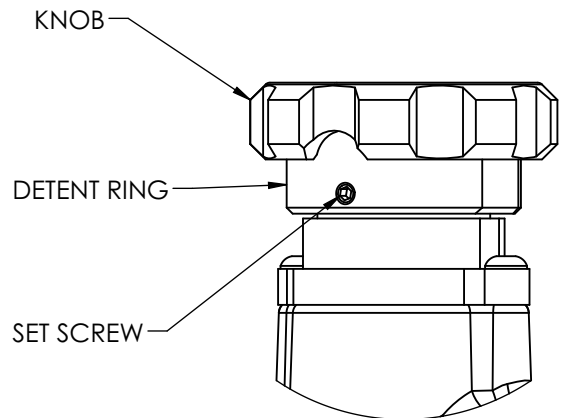
3701 Innovation Way, Valparaiso, IN 46383-9327 USA
800-348-2686 · 219-462-6161 · Fax 219-464-7155

1.0 SETTING THE DETENT POSITION

Detented slow close valves are factory set to engage the detent when the valve is approximately 1/4 open. The detent position is user adjustable throughout the valve travel.

To change the valve detent position:

1. Loosen the set screw in the detent ring using 1/8" hex key.
2. Rotate the knob until the detent ball falls into the detent.
3. Use the knob to move the valve ball into the desired position. The detent ring will rotate with the knob.
4. Tighten the set screw to lock the detent ring in the new detent position.



The knob will detent with every revolution from the selected detent position.

2.0 REPLACING THE DETENT SLOW CLOSE VALVE ASSEMBLY

To replace the slow close valve assembly, order TFT part # AY975L-D-KIT or AY975R-D-KIT and follow the installation instruction LTT-361 included.

3.0 MAINTENANCE

TFT products are designed and manufactured to be damage resistant and require minimal maintenance. However, as the primary firefighting tool upon which your life depends, it should be treated accordingly. To help prevent mechanical damage, do not drop or throw equipment.

3.1 SERVICE TESTING

In accordance with NFPA 1962, equipment must be tested a minimum of annually. Units failing any part of this test must be removed from service, repaired and retested upon completion of the repair.

3.2 REPAIR

Factory service is available with repair time seldom exceeding one day in our facility. Factory serviced equipment is repaired by experienced technicians, wet tested to original specifications, and promptly returned. Any returns should include a note as to the nature of the problem and whom to reach in case of questions.

Repair parts and service procedures are available for those wishing to perform their own repairs. Task Force Tips assumes no liability for damage to equipment or injury to personnel that is a result of user service. Contact the factory or visit the web site at tft.com for parts lists, exploded views, test procedures and troubleshooting guides.

Performance tests shall be conducted on the equipment after a repair, or anytime a problem is reported to verify operation in accordance with TFT test procedures. Consult factory for the procedure that corresponds to the model and serial number of the equipment. Any equipment which fails the related test criteria should be removed from service immediately. Troubleshooting guides are available with each test procedure or equipment can be returned to the factory for service and testing.

CAUTION

Any alterations to the product or its markings could diminish safety and constitutes a misuse of this product.

NOTICE

All replacement parts must be obtained from the manufacturer to assure proper operation of the device.

TASK FORCE TIPS LLC
MADE IN USA · tft.com

3701 Innovation Way, Valparaiso, IN 46383-9327 USA
800-348-2686 · 219-462-6161 · Fax 219-464-7155