

Pump Capacity Through a Floating Low-Level Strainer . . .



Floating Low-Level Strainer Collects Clean Water From Ponds, Lakes and Rivers

. . . REALLY !

Rugged polyethylene float nests compactly over the strainer and is available with an optional jet siphon. TFT's Floating Low Level High Volume Strainer efficiently provides flows up to 2000 gpm with less than 1 psi of loss and can be

detached utilizing the tethered latching pin. Designed to eliminate air vortexes that often interrupt critical drafting operations, the unique pivoting design also picks up water to within inches

of the bottom of your portable tank. To learn more about how you can improve your drafting performance during initial attack operations, contact your local TFT dealer today.



TASK FORCE TIPS
Made in USA • www.tft.com

3701 Innovation Way, Valparaiso, IN 46383-9327 USA
US & CN 800.348.2686 • 1.219.462.6161 • fax 1.219.464.7155

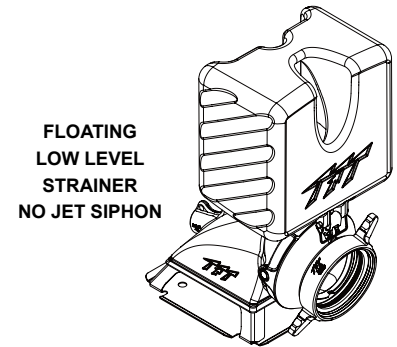
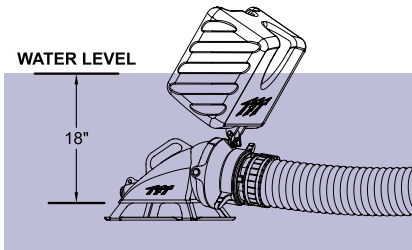


U.S. & Canada **800.348.2686** www.tft.com
 24 Hour Service Team: **800.854.6864**

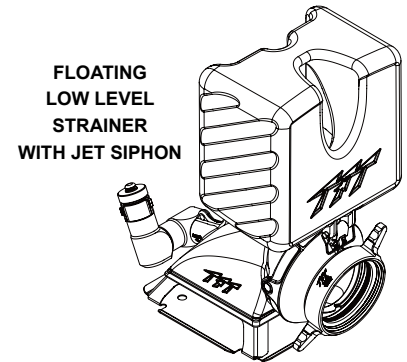
TASK FORCE TIPS 3701 INNOVATION WAY, VALPARAISO, IN 46383-9327 MADE IN USA



FLOAT IS REMOVABLE



FLOATING LOW LEVEL STRAINER NO JET SIPHON



FLOATING LOW LEVEL STRAINER WITH JET SIPHON

FLOATING LOW LEVEL STRAINER NO JET SIPHON

Flotation device allows TFT high volume low-level strainer to collect clean water from ponds, lakes and rivers. The strainer inlet, made of hard anodized and powder-coated aluminum, hangs 18" below water level to avoid sucking surface air and bottom debris. Capable of supporting up to 30 ft of hose, the strainer extends well beyond safety ledges of residential ponds. The clog-resistant stainless steel filter has over twice as much flow area as a 6" hose. This keeps friction loss down to 0.5 psi (1" Hg) at 1500 gpm and reduces the potential for air vortexes to form. Oversized sealed ball pivot allows 45° range of hose angle without constricting the flow path. Rugged polyethylene float is yellow for high visibility and nests compactly over the strainer for minimal storage space. Float removal is not necessary for low level use, although a tethered latching hinge pin allows the float to be removed or installed instantly if desired.

4" (100mm) Threaded A03NP-F 26.3 lb (11.9kg) 13.3" (33.8cm) height 15.0" (38.1cm) width 20.20" (51.3cm) depth	4.5" (115mm) Threaded A03HNR-F 26.0 lb (11.8kg) 13.3" (33.8cm) height 15.0" (38.1cm) width 19.50" (49.5cm) depth	5" (125mm) Threaded A03HNT-F 26.0 lb (11.8kg) 13.3" (33.8cm) height 15.0" (38.1cm) width 19.50" (49.5cm) depth	6" (150mm) Threaded A03HNX-F 25.6 lb (11.6kg) 13.3" (33.8cm) height 15.0" (38.1cm) width 19.00" (48.3cm) depth	5" Storz A03ST-F 27.2 lb (12.3kg) 13.3" (33.8cm) height 15.0" (38.1cm) width 20.40" (51.8cm) depth	6" Storz A03SX-F 29.9 lb (13.6kg) 13.3" (33.8cm) height 15.0" (38.1cm) width 21.50" (54.6cm) depth
--	---	---	---	---	---

FLOATING LOW LEVEL STRAINER WITH JET SIPHON

Flotation device allows TFT high volume low-level strainer to collect clean water from ponds, lakes and rivers. The strainer inlet, made of hard anodized and powder-coated aluminum, hangs 18" below water level to avoid sucking surface air and bottom debris. Capable of supporting up to 30 ft of hose, the strainer extends well beyond safety ledges of residential ponds. The clog-resistant stainless steel filter has over twice as much flow area as a 6" hose. This keeps friction loss down to 0.5 psi (1" Hg) at 1500 gpm and reduces the potential for air vortexes to form. Oversized sealed ball pivot allows 45° range of hose angle without constricting the flow path. Jet Siphon substantially increases suction lift capability and is also useful for tank shuttle, pump priming and dewatering with no need for a trash pump. Jet Siphon has 1.5" female hose threaded coupling that pivots freely in any direction to avoid hose kinks. Rugged polyethylene float is yellow for high visibility and nests compactly over the strainer for minimal storage space. Float removal is not necessary for low level use, although a tethered latching hinge pin allows the float to be removed or installed instantly if desired.

4.5" (115mm) Threaded A03HNR-JET-F 28.2 lb (12.8kg) 13.3" (33.8cm) height 15.0" (38.1cm) width 21.40" (54.4cm) depth	5" (125mm) Threaded A03HNT-JET-F 28.2 lb (12.8kg) 13.3" (33.8cm) height 15.0" (38.1cm) width 21.40" (54.4cm) depth	6" (150mm) Threaded A03HNX-JET-F 27.8 lb (12.6kg) 13.3" (33.8cm) height 15.0" (38.1cm) width 20.80" (52.8cm) depth	5" Storz A03ST-JET-F 29.5 lb (13.4 kg) 13.3" (33.8cm) height 15.0" (38.1cm) width 22.30" (56.6cm) depth	6" Storz A03SX-JET-F 32.0 lb (14.5kg) 13.3" (33.8cm) height 15.0" (38.1cm) width 23.50" (59.7cm) depth
---	---	---	--	---