

A 100% Improvement in Water Supply Operations . . .



Oasis Hydrant Valve
with 5" Storz Connections

. . . REALLY !

TFT's Oasis Hydrant Assist Valve is the perfect choice for dramatic water supply improvements when used with poorly performing hydrants, long rural water delivery relays, or small diameter hose operations.

The revolutionary computer designed waterway provides maximum performance with minimal friction loss. And, its rugged, lightweight and compact design allows for easy deployment and hookup with a pre-connected line.

To learn more about dramatically improving your water supply operations, contact your local TFT dealer today.



TASK FORCE TIPS
Made in USA • www.tft.com

3701 Innovation Way, Valparaiso, IN 46383-9327 USA
US & CN 800.348.2686 • 1.219.462.6161 • fax 1.219.464.7155



U.S. & Canada **800.348.2686** www.tft.com
 24 Hour Service Team: **800.854.6864**

TASK FORCE TIPS 3701 INNOVATION WAY, VALPARAISO, IN 46383-9327 MADE IN USA



OASIS HYDRANT ASSIST VALVE

For the complete video:
www.tft.com/literature/library/LTV_406 and [LTV_407](http://www.tft.com/literature/library/LTV_407)

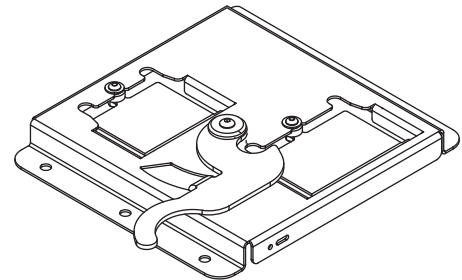


OASIS HYDRANT ASSIST VALVE

TFT's Oasis Hydrant Assist Valve is a versatile valve that can be used as a hydrant booster, as a gated wye, or for inline pumping during relay operations. In hydrant boosting operation, the valve is first connected to the hydrant and to the intake supply line on the first pumper. Inlet and outlet supply lines on a boost pumper are then connected to the valve to draw water directly from the hydrant connection and increase pressure/flow to the first pumper. A clapper valve with position indicator provides uninterrupted water flow to the fire when transitioning to boost mode, and in the event of boost pump failure. Two unique valve position indicators tell the operator if the ball and clapper valves are open or closed. Designed for use with 3.5, 4, 4.5 or 5 inch (89, 100, 115 or 125 mm) hose. Stainless steel half ball valve provides corrosion protection. Maximum operating pressure is 250 psi (17 bar). Meets 900 psi (62 bar) hydrostatic strength test. The aluminum castings are hardcoat anodized inside and out, and TFT powder coat finished on the outside.

SIDE B

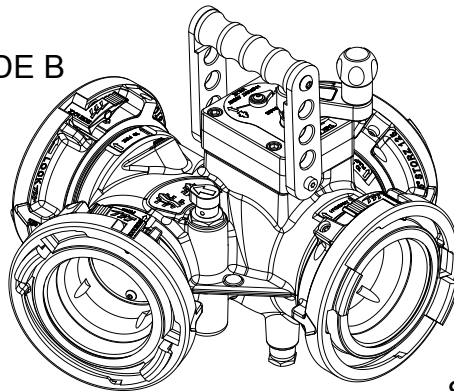
SIDE C1



**Dimensional Maximum
AR Bracket
5.5 lbs 2.5kg)**

SIDE C2

SIDE A



**Dimensional Maximum
AR*****
35.0 lbs (15.9kg)
13.50" (34.3cm) Height
16.50" (41.9cm) Width
16.00" (40.6cm) Depth**

SIDE A INLET FROM HYDRANT

SIDE B OUTLET TO ATTACK

SIDE C1 OUTLET TO BOOST

SIDE C2 BOOSTED INLET

AR

Style	Size	Style	Size	Style	Size	Style	Size
1) Storz Rigid	N 3.5"	1) Storz Rigid	N 3.5"	1) Storz Rigid	N 3.5"	1) Storz Rigid	N 3.5"
2) Storz Swivel	P 4"	2) Storz Swivel	P 4"	2) Storz Swivel	P 4"	2) Storz Swivel	P 4"
3) F Rocker Lug Swivel	R 4.5"	3) F Rocker Lug Swivel	R 4.5"	3) F Rocker Lug Swivel	R 4.5"	3) F Rocker Lug Swivel	R 4.5"
5) F Long Handle Swivel	T 5"	5) F Long Handle Swivel	T 5"	5) F Long Handle Swivel	T 5"	5) F Long Handle Swivel	T 5"
7) M Rigid		7) M Rigid		7) M Rigid		7) M Rigid	

F = Female M = Male