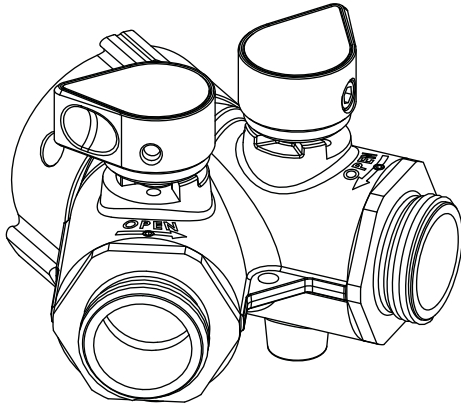


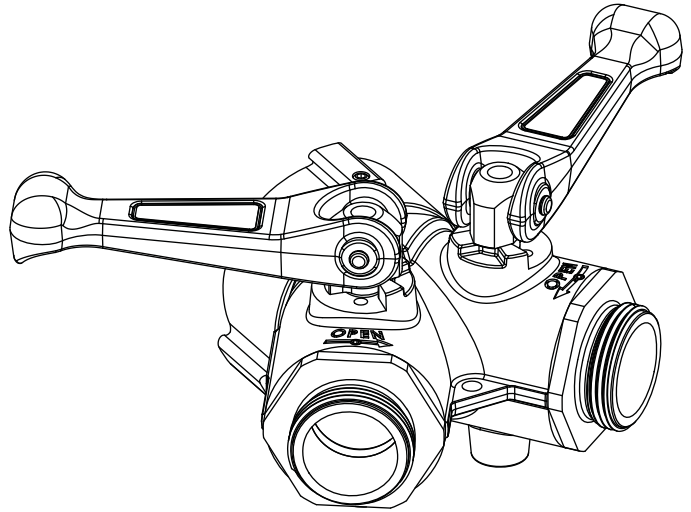


MANUAL: 2.5" X 1.5" GATED & STANDPIPE WYE

INSTRUCTIONS FOR SAFE OPERATION AND MAINTENANCE



AYSNJ-NF
2.5" X 1.5" GATED WYE
WITH SHORT HANDLES



AYNJ-NF
2.5" X 1.5" GATED WYE
WITH LONG HANDLES

OPERATING RANGE

Pressure Max 300 PSI (21 bar)

Pressure Min Full Vac.

Hydrostatic Proof Test:

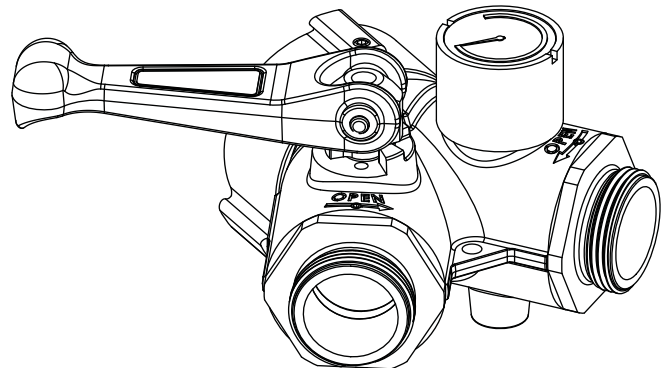
900 PSI (62 bar)

Operating temperature range of fluid

33 to 120° F (1 to 50° C)

Storage temperature range

-40 to 150° F (-40 to 65° C)



AYG-NJ-NF
2.5" X 1.5" STANDPIPE WYE

TASK FORCE TIPS, INC.
MADE IN USA • www.tft.com

3701 Innovation Way, Valparaiso, IN 46383-9327 USA
800-348-2686 • 219-462-6161 • Fax 219-464-7155

DANGER

PERSONAL RESPONSIBILITY CODE

The member companies of FEMSA that provide emergency response equipment and services want responders to know and understand the following:

1. Firefighting and Emergency Response are inherently dangerous activities requiring proper training in their hazards and the use of extreme caution at all times.
2. It is your responsibility to read and understand any user's instructions, including purpose and limitations, provided with any piece of equipment you may be called upon to use.
3. It is your responsibility to know that you have been properly trained in Firefighting and /or Emergency Response and in the use, precautions, and care of any equipment you may be called upon to use.
4. It is your responsibility to be in proper physical condition and to maintain the personal skill level required to operate any equipment you may be called upon to use.
5. It is your responsibility to know that your equipment is in operable condition and has been maintained in accordance with the manufacturer's instructions.
6. Failure to follow these guidelines may result in death, burns or other severe injury.



Fire and Emergency Manufactures and Service Association
P.O. Box 147, Lynnfield, MA 01940 • www.FEMSA.org

OPERATION



Quick changes in valve position can cause high pressure spikes due to water hammer and may result in damaged equipment which could lead to injury or death. Open and close the valve slowly to avoid water hammer.



Kinks in supply hose may reduce water flow and cause injury or death to persons dependant on water flow. Avoid tight bends to minimize risk of hoseline kinks.



Use with salt water is permissible provided the valve is thoroughly cleaned with fresh water after each use. The service life of the valve may be shortened due to the effects of corrosion and is not covered under warranty.



This appliance may become damaged if allowed to freeze while containing water. Always drain after use to avoid damage and possible loss of use.

MAINTENANCE

This valve should be disconnected, cleaned and visually inspected inside and out at least twice annually, or as water quality and use may require. Moving parts such as handles, valve ball and couplings should be checked for smooth and free operation. Seals shall be greased as needed with a Silicone based grease such as Dow Corning 112. Any scrapes that expose bare aluminum should be cleaned and touched up with enamel paint such as Rust-Oleum. Replace any missing or damaged parts before returning to service.



Dissimilar metals coupled together can cause galvanic corrosion that can result in the inability to unscrew the threads or complete loss of thread engagement over time. Per NFPA 1962 (1998 Edition), if dissimilar metals are left coupled together an anti-corrosive lubricant should be applied to the threads. Also the couplings should be disconnected and inspected at least quarterly.



Any alterations to the 2.5" Gated Wye and its markings could diminish safety and constitute a misuse of this product.



Maximum operating pressure 300 psi (21 bar). Do not exceed 300 psi (21 bar) on either side of the valve.

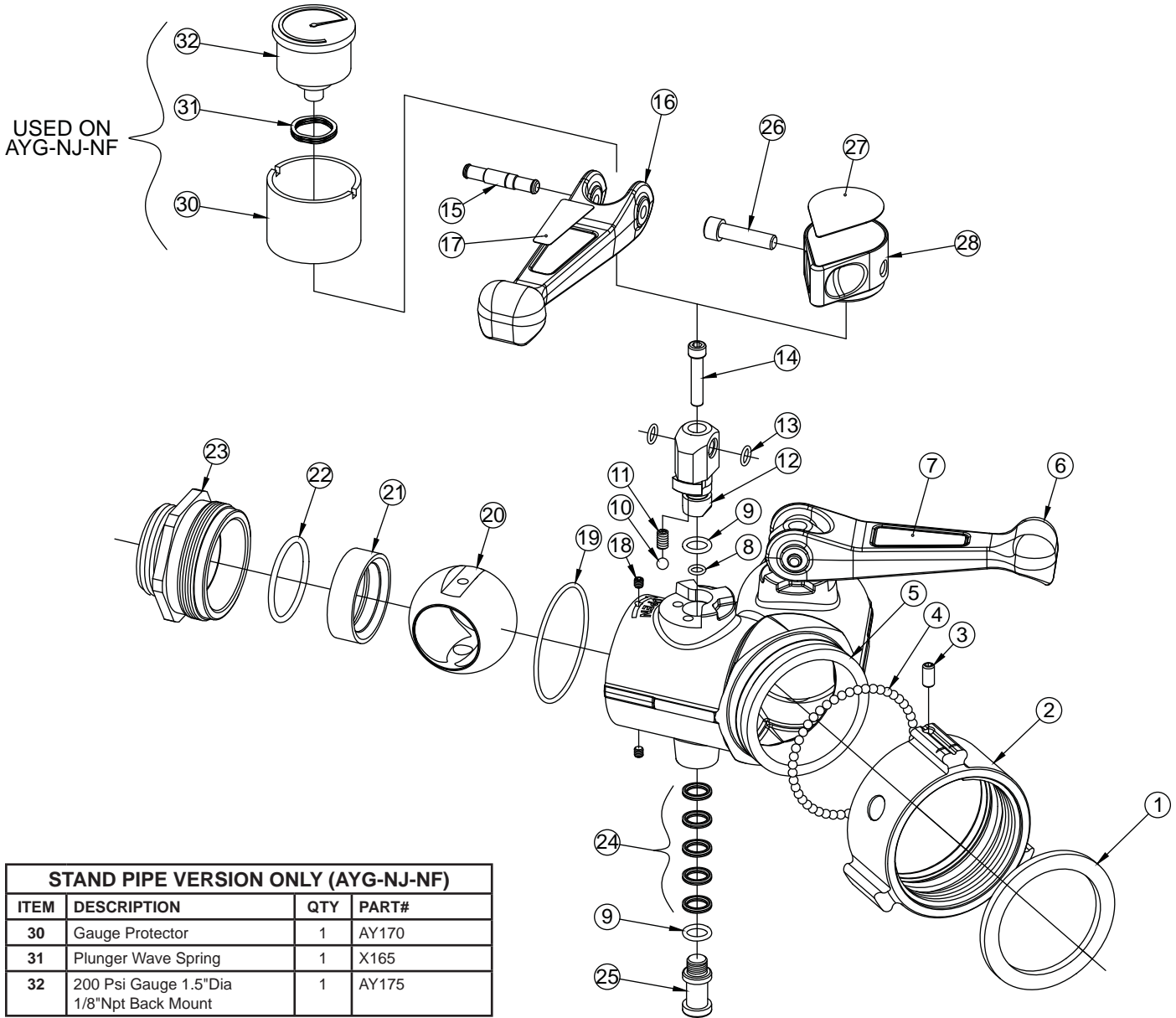


Valve must be properly connected. Mismatched or damaged connectors may cause leaking or uncoupling under pressure and could cause injury.



Inspect and service test fire hose appliances per NFPA 1962.

EXPLODED VIEW and PARTS LIST



STAND PIPE VERSION ONLY (AYG-NJ-NF)			
ITEM	DESCRIPTION	QTY	PART#
30	Gauge Protector	1	AY170
31	Plunger Wave Spring	1	X165
32	200 Psi Gauge 1.5"Dia 1/8"Npt Back Mount	1	AY175

ITEM	DESCRIPTION	QTY	PART#
1	Gasket- 2.5" Hose Coupling (Cut)	1	V3190
2	Coupling 2.5"NH	1	M307N
3	1/4-28 X 1/2 Socket Set Screw Cup Point	1	VT25-28SS500
4	3/16" Ball - 302 Stainless Steel	48	V2120
5	Gated Wye Body	1	AY100
	Wye Body Standpipe	1	AY105
6	Valve Handle With Serial Number	2	AY340R
7	Folding Handle Label -Red	1	AY342-RED
8	O-Ring-010 1/4 Id 1/16 C/S	2	VO-010
9	O-Ring-111 7/16 ID 3/32	4	VO-111
10	Ball .243" - Tordon	2	VB243TO
11	Detent Spring	2	HM770
12	Folding Handle Upper Trunnion	2	AY306
13	O-Ring-011 5/16 Id 1/16 C/S	4	VO-011
14	1/4-20 X 1 1/4 Socket Head Cap Screw	2	VT25-20SH1.2

ITEM	DESCRIPTION	QTY	PART#
15	Handle Pivot Pin	2	AY345
16	Valve Handle	1	AY340
17	Folding Handle Label -Blue	1	AY342-BLUE
18	10-32 X 3/16 Set Screw - Nd Patch	4	VT10Y32SS187
19	O-Ring-143 2-7/16 Id 3/32 C/S	2	VO-143
20	Valve Ball	2	AY110
21	Valve Seat	2	AY140
22	O-Ring-223 1-5/8 ID 1/8 C/S	2	VO-223
23	Outlet 1.5"NH	2	AY160N
24	Quad-Ring-111 7/16 ID 3/32 C/S	10	VOQ-4111
25	145 Trunnion	2	F14045
26	5/16-18 X 1-1/4 Socket Head Screw	2	VT31-18SH1.2
27	S.H. Gated Wye Label - Red	1	AY020-R
	S.H. Gated Wye Label - Blue	1	AY020-B
28	Short Handle	2	AY231
	Short Handle with Serial Number	2	AY232

STATEMENT OF WARRANTY AND REPAIR

Task Force Tips, Inc., 3701 Innovation Way, Valparaiso, IN 46383-9327 USA ("TFT") warrants to the original purchaser of its nozzles and other equipment ("equipment"), and to anyone to whom it is transferred, that the equipment shall be free from defects in material and workmanship during the five (5) year period from the date of purchase.

TFT's obligation under this warranty is specifically limited to replacing or repairing the equipment (or its parts) which are shown by TFT's examination to be in a defective condition attributable to TFT. To qualify for this limited warranty, the claimant must return the equipment to TFT, at 3701 Innovation Way, Valparaiso, IN 46383-9327 USA, within a reasonable time after discovery of the defect. TFT will examine the equipment. If TFT determines that there is a defect attributable to it, TFT will correct the problem within a reasonable time. If the equipment is covered by this limited warranty, TFT will assume the expenses of repair.

If any defect attributable to TFT under this limited warranty cannot be reasonably cured by repair or replacement, TFT may elect to refund the purchase price of the equipment, less reasonable depreciation, in complete discharge of its obligations under this limited warranty. If TFT makes this election, claimant shall return the equipment to TFT free and clear of any liens and encumbrances.

This is a limited warranty. The original purchaser of the equipment, any person to whom it is transferred, and any person who is an intended or unintended beneficiary of the equipment, shall not be entitled to recover from TFT any consequential or incidental damages for injury to person and/or property resulting from any defective equipment manufactured or assembled by TFT. It is agreed and understood that the price stated for the equipment is in part consideration for limiting TFT's liability. Some states or countries do not allow the exclusion or limitation of incidental or consequential damages, so the above may not apply to you.

TFT shall have no obligation under this limited warranty if the equipment is, or has been, misused or neglected (including failure to provide reasonable maintenance) or if there have been accidents to the equipment or if it has been repaired or altered by someone else.

THIS IS A LIMITED EXPRESS WARRANTY ONLY. TFT EXPRESSLY DISCLAIMS WITH RESPECT TO THE EQUIPMENT ALL IMPLIED WARRANTIES OF MERCHANTABILITY AND ALL IMPLIED WARRANTIES OF FITNESS FOR A PARTICULAR PURPOSE. THERE IS NO WARRANTY OF ANY NATURE MADE BY TFT BEYOND THAT STATED IN THE DOCUMENT.

This limited warranty gives you specific legal rights, and you may also have other rights which vary from state to state.