



# PRODUCT BULLETIN

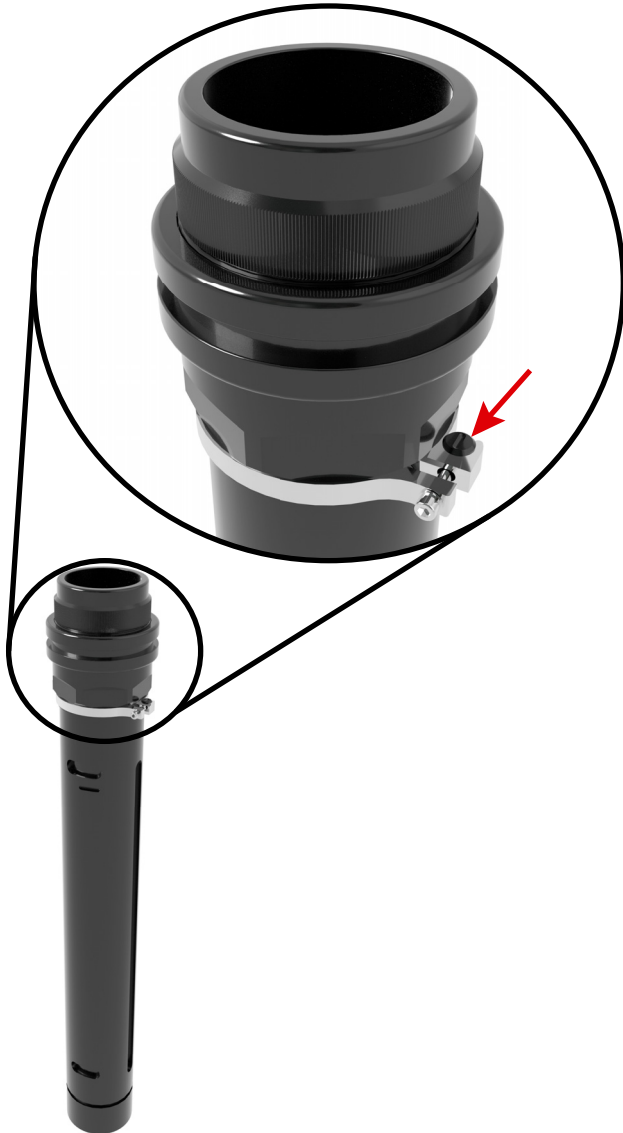
## Manual Extend-A-Gun with Crossfire<sup>®</sup> Inlet Mount

**A design change was made to all manual Extend-A-Gun models designed for use with Crossfire Monitor.**

The monitor clamp assembly at the bottom of the Extend-A-Gun outlet is replaced by (2) set screws.

**PREVIOUS DESIGN  
THROUGH 4/2022**

**UPDATED DESIGN  
BEGINNING 5/2022**



Features and Benefits	
Lower Profile Design	Reduced snagging and interference from clamp
Reduced Part Count	Easier maintenance
Pin Spanner Pockets	

**TASK FORCE TIPS LLC**  
MADE IN USA · [tft.com](http://tft.com)

3701 Innovation Way, Valparaiso, IN 46383-9327 USA  
800-348-2686 · 219-462-6161 · Fax 219-464-7155