

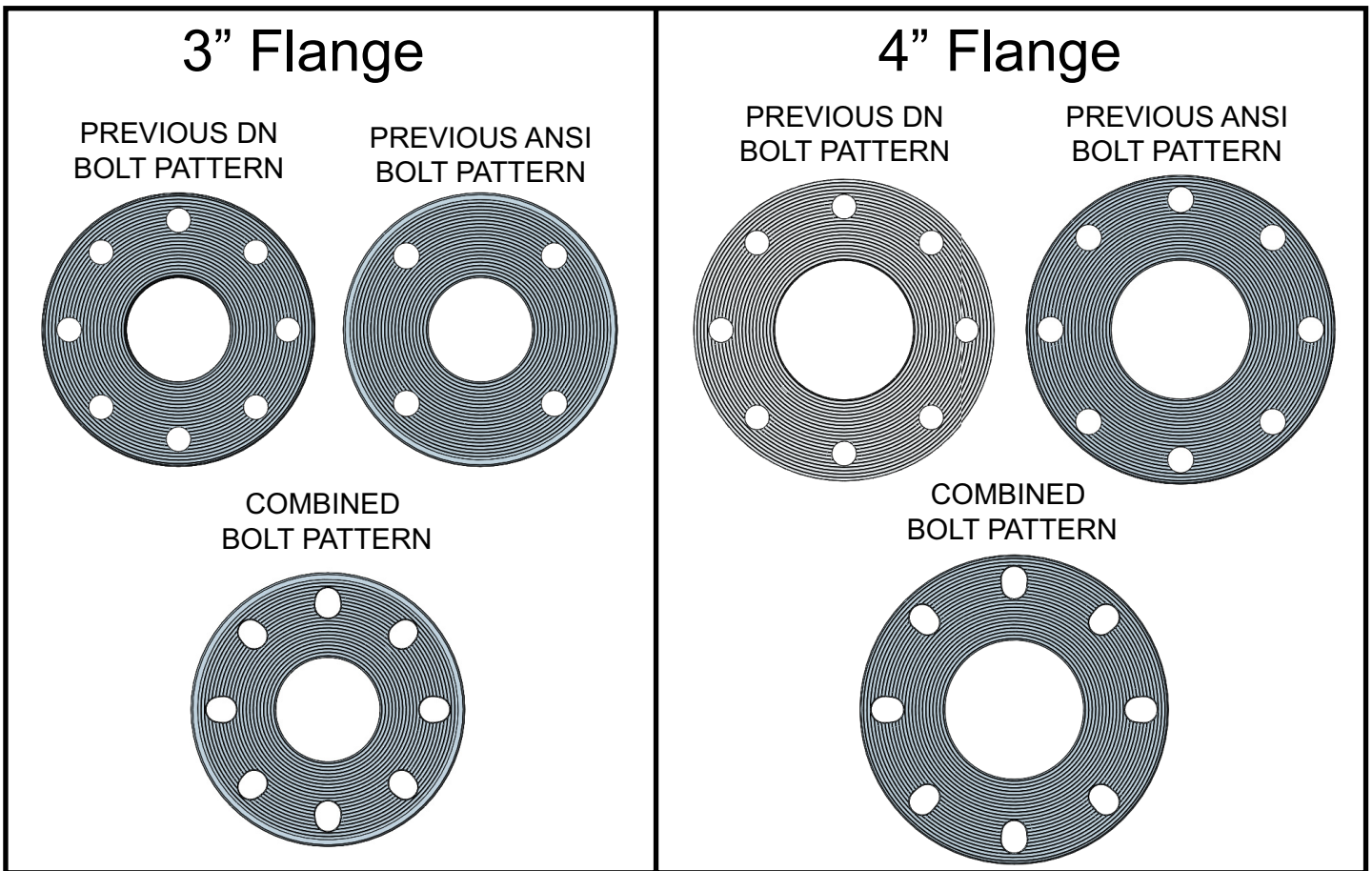
PRODUCT BULLETIN

3" and 4" Monitor Flange Connection Change

A design change has been made to combine the ANSI and DN bolt hole patterns on monitor connection flanges.

Combining bolt hole patterns simplifies the ordering process by using the same finished good number for ANSI or DN flanged products. Transition to the combined bolt pattern begins in August 2021. The following TFT monitor product lines are affected:

Tornado®	Crossfire®
Monsoon®	Hurricane™
Typhoon™	Protector™



Features and Benefits	
Slotted Bolt Holes	Allow for either DN or ANSI connection
Reduced Finished Good Numbers	Simplified ordering
Proven Design	Combined bolt hole pattern used on many other products