

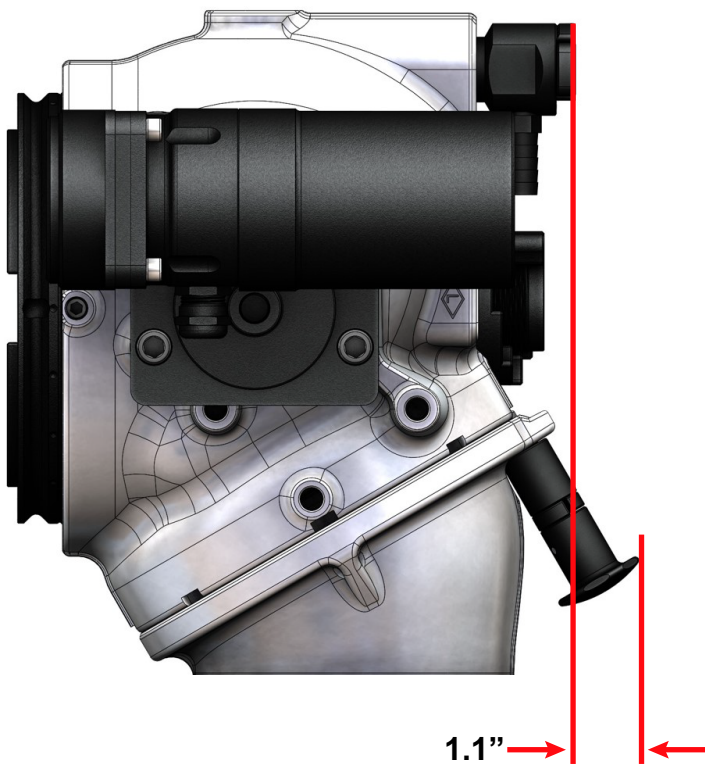
PRODUCT BULLETIN

BIV Locking Pull Pin Change

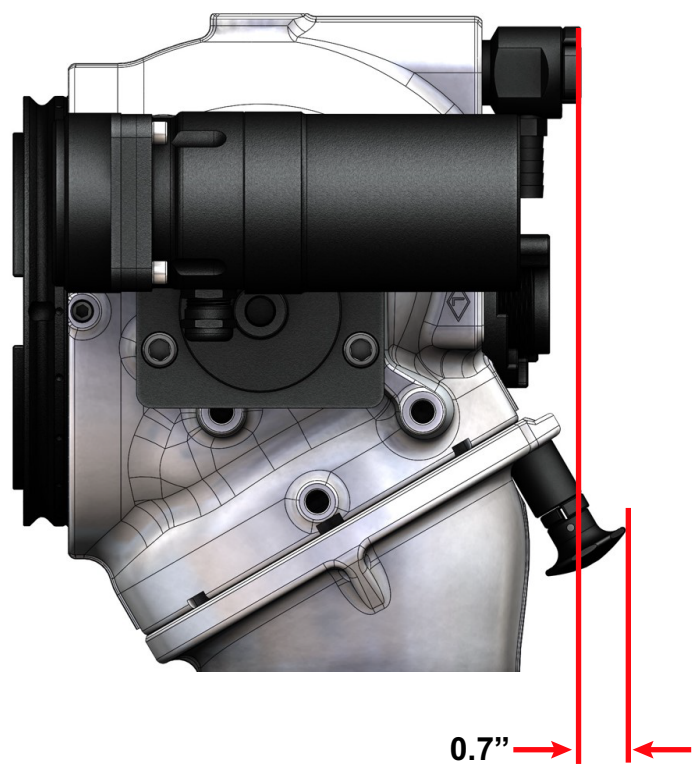
A design change has been made to reduce the length of the Locking Pull Pin on all BIV models.

The reduction in overall length of the Locking Pull Pin assembly reduces the amount that the BIV protrudes from the pump panel by nearly 1/2", allowing the unit to fit behind a roll up door or in other areas where space is limited.

**PREVIOUS DESIGN
THROUGH 8/2021**



**UPDATED DESIGN
AFTER 8/2021**



Features and Benefits	
Reduced Length	.40" shorter overall length of the BIV
Proven Design	No change in operation from the previous design
Fit and Finish	Same look and high quality craftsmanship
Materials	Same materials as the previous design