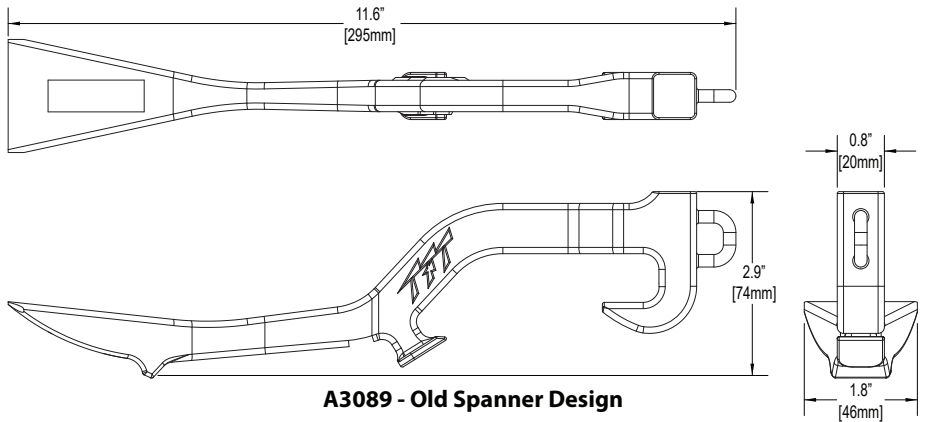




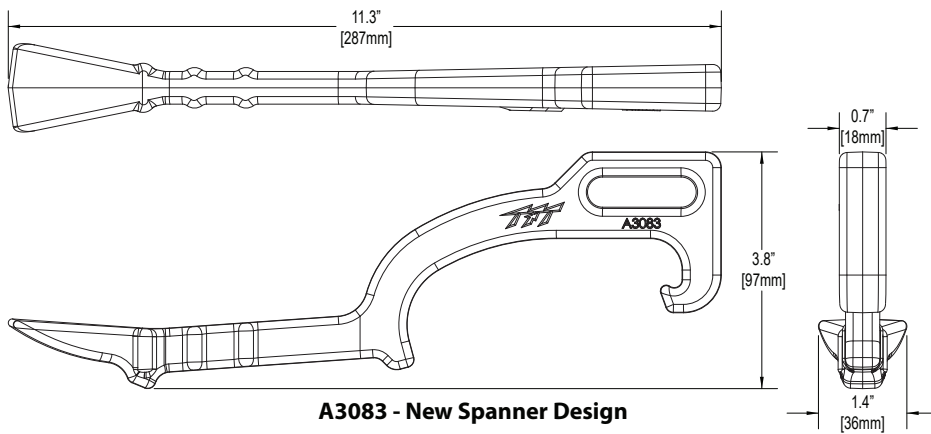
Product Bulletin

Universal Spanner Wrench Design Change

The design of our Universal Spanner Wrench has been updated to include an ergonomic grip, larger and relocated gas cock slot, and our patented Res-Q-Wrench geometry. The Universal Spanner Wrench is used in the following finished goods: A3813, A3840, A3845, and A3850.



A3089 - Old Spanner Design



A3083 - New Spanner Design

	COUPLING SIZE	A3089 OLD	A3080 NEW
Rocker Lug	1.0"	✓	✓
	1.5"	✓	✓
	2.0"	✓	✓
	2.5"	✓	✓
	3.0"	✓	✓
	3.5"	✓	✓
	4.0"	✓	✓
	4.5"	✓	✓
	5.0"	✓	✓
	6.0"	✓	✓
Storz	4.0" STORZ 100		✓
	5.0" STORZ 125		✓
	6.0" STORZ 150		✓
Long Handle	2.5"		✓
	4.0"		✓
	4.5"		✓
	5.0"		✓
	6.0"		✓
Short Handle	5.0"		✓
	6.0"		✓

Feature	Benefit
Res-Q-Rench Geometry	Fits every TFT coupling
Gas Cock Slot	Easy actuation of gas valves
Window Jimmy	Ability to pry open windows and obstacles
Textured Handle	Increased grip on tool
Compatible Design	Fits standard storage brackets