

Product Bulletin

Anti-Back Drive addition for Ladder Monitors

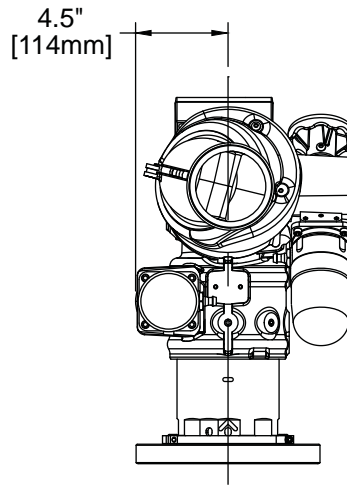
An anti-back-drive mechanism gearbox is now included on ladder models of the Monsoon and Typhoon to help prevent unintended monitor/nozzle movement due to vibration.

The gearbox allows the motor and manual override wheel to turn the monitor in both directions, while preventing the monitor from back-driving the motor and manual override wheel. The anti-backdrive gearbox adds to the size of the monitor, so additional clearance is needed to prevent interference in some installations.

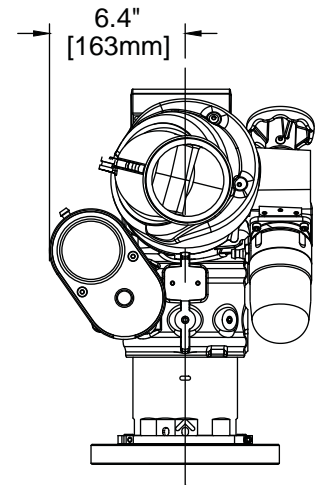
Monsoon



Before Anti-Back Drive



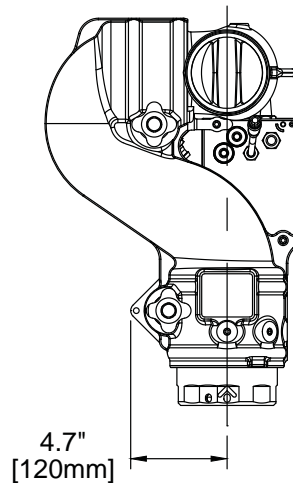
After Anti-Back Drive



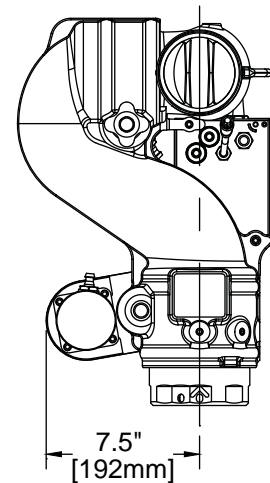
Typhoon



Before Anti-Back Drive



After Anti-Back Drive



If the amount of clearance required for the anti-back-drive gearbox is not available there is also an electronic method to help prevent unintended monitor/nozzle movement due to vibration. The electronic method can only be used if the monitor is always powered while the truck is in operation. See LIY-500 Section 4.13.3 for wiring and programming information. If the anti-back-drive gearbox upgrade (Y4917-KIT) is purchased separately, see LIY-203 for installation Instructions.

Note: The anti-back-drive gearbox is removable. Use LIY-203 (FIELD INSTALLATION INSTRUCTIONS FOR ANTI-BACK-DRIVE KIT) and follow the installation instructions backwards.