

Product Bulletin

Electric Remote Controlled Nozzle Actuator

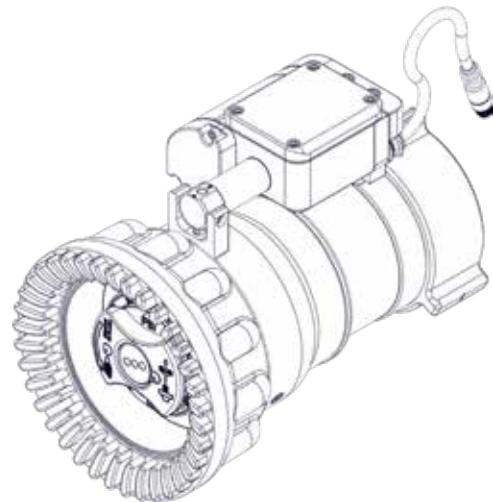
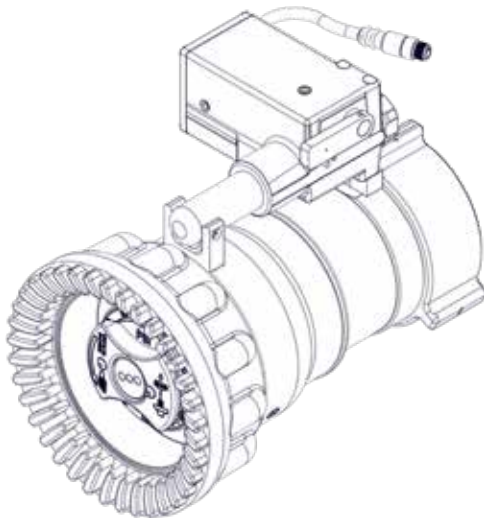
*A Design Change Has Been Made To The Electric Remote Controlled Nozzle Actuator.
No change to nozzle model numbers.*



Previous



Current



NOTE: Smart Stream Feature Requires Motor Board Y5100 v2.2.0 Firmware or Later.

FEATURES	BENEFITS
Retrofit	Mount to current and previously designed nozzles
Improved Accuracy	Increased nozzle movement precision More precise mounting
Improved Power & Durability	Increased output force Permanently lubricated and maintenance free
Streamlined Design	Reduces overall clearance