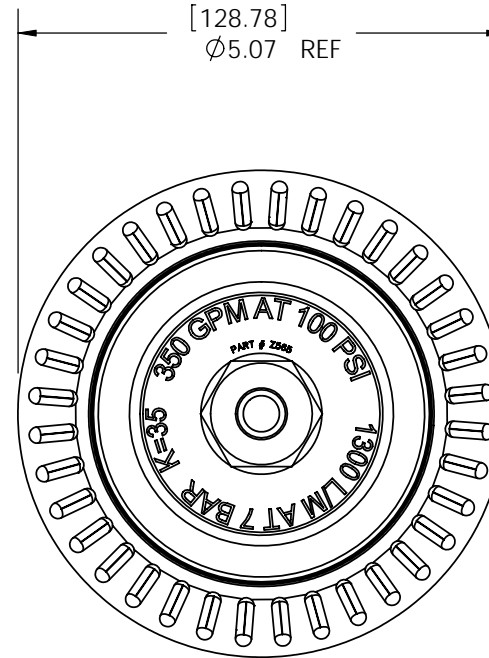
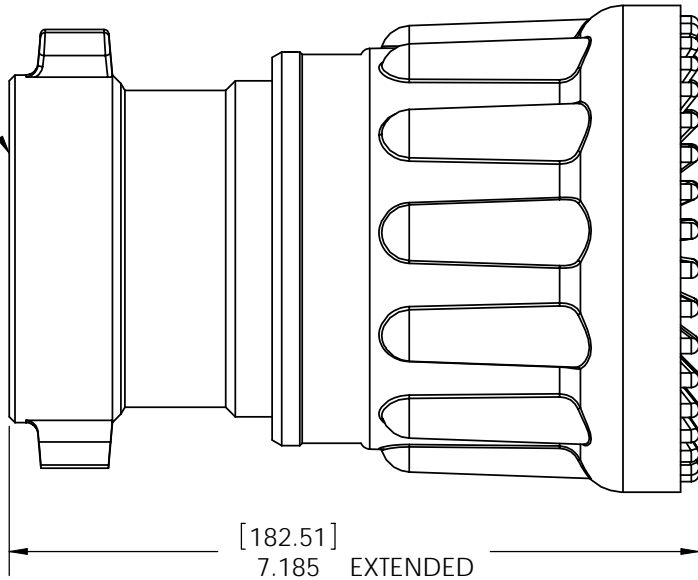


2.5"-7.5"NH
FEMALE THREAD



DIMENSIONS IN INCHES [mm]

| | | | |
|----------------|-----|----------------------------|-------------|
| PRINT APPROVED | | PRINT CHNG ENG | |
| 8/25/10 | TLH | 8/24/10 | MJS |
| SCALE: HALF | | REV | DATE INIT |
| | | 6 | 8/24/10 CPD |
| | | PRINT DRAWN | |
| | | 7/29/08 | MAS |
| | | DESIGN ENGINEER | |
| | | <i>Robert W. Steingass</i> | |



TASK FORCE TIPS, INC.
2800 E. EVANS AVE.
VALPARAISO, IN 46383
(219)462-6161

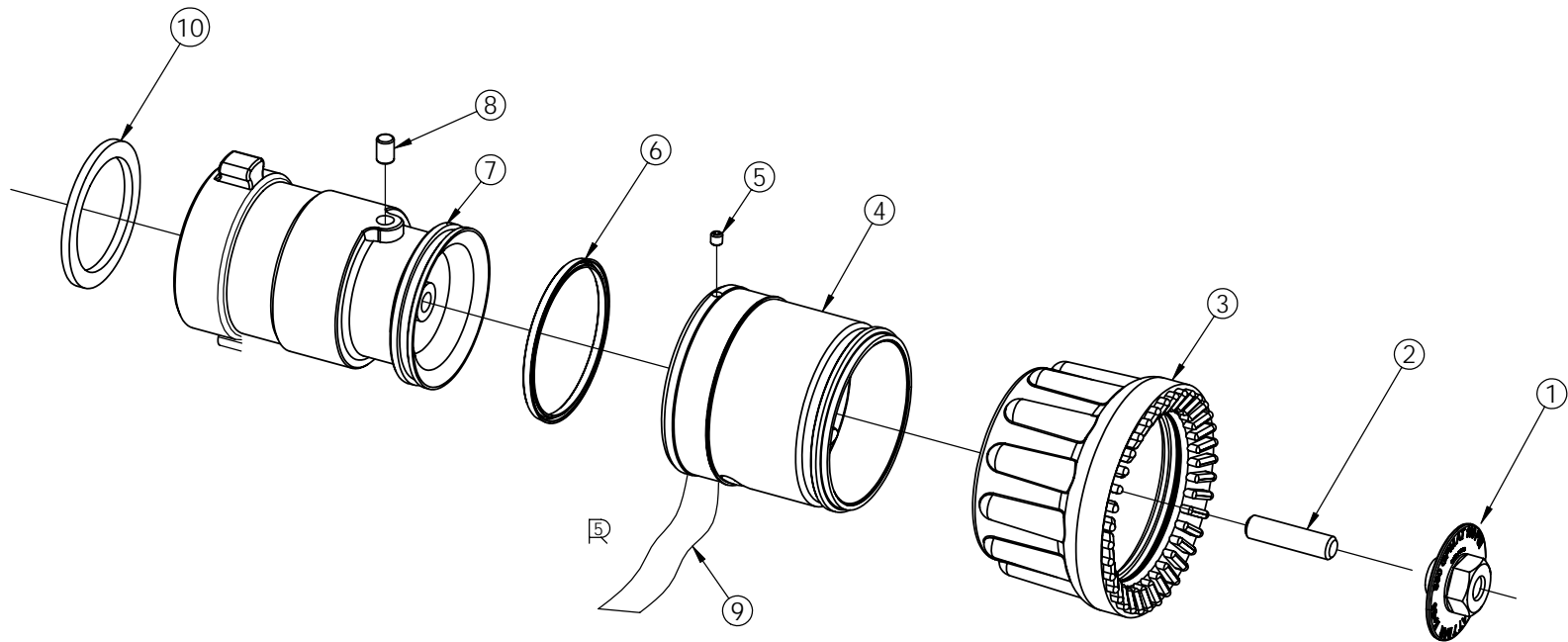
ITEM: ZN11A

SHEET
1 of 3

DESCR: ZN NOZZLE 2.5"-7.5 NH FEMALE

EXTRA DESCR: 350 GPM @ 100 PSI - ALUMINUM

TFT_APRLIST.SLDDR1



PARTS LIST

| Ref | Description | Qty | Order # |
|-----|----------------------------------|-----|--------------|
| 1 | BAFFLE 350 GPM | 1 | Z565 |
| | BAFFLE 500 GPM | 1 | Z566 |
| | BAFFLE 750 GPM | 1 | Z567 |
| 2 | 1/2-13 X 2 STUD - FULL THREAD | 1 | VT50-13SD2.0 |
| 3 | BUMPER | 1 | Z700 |
| 4 | SHAPER | 1 | Z505 |
| 5 | 1/4-28 X 1/4 SOCKET SET SCREW | 1 | VT25-28SS250 |
| 6 | SHAPER SEAL 3.255 ID - DEFLASHED | 1 | Z330 |
| 7 | IND. NOZ. BODY ALUM 2.5"NH | 1 | Z605ANJ |
| 8 | CAM PIN | 1 | Z660 |
| 9 | NAME LABEL - MAX-LITE NOZZLE | 1 | ZL150 |
| 10 | GASKET - 2.5" HOSE COUPLING | 1 | V3190 |

DIMENSIONS IN INCHES [mm]

NOTE: BREAK SHARP CORNERS .01" MIN.

TOLERANCES: UNLESS SPECIFIED OTHERWISE

| | |
|--------------|------------------|
| X.XXXX ±.005 | FRACT ±1/64 |
| X.XXX ±.005 | ANGLE ± 1° |
| X.XX ±.01 | X = NOT TO SCALE |
| X.X ±.1 | |

| | | | |
|----------------|-----|----------------|---------|
| PRINT APPROVED | | PRINT CHNG ENG | |
| 8/25/10 | TLH | 8/24/10 | MJS |
| SCALE: HALF | | REV | DATE |
| | | 6 | 8/24/10 |
| | | INIT | |
| | | CPD | |



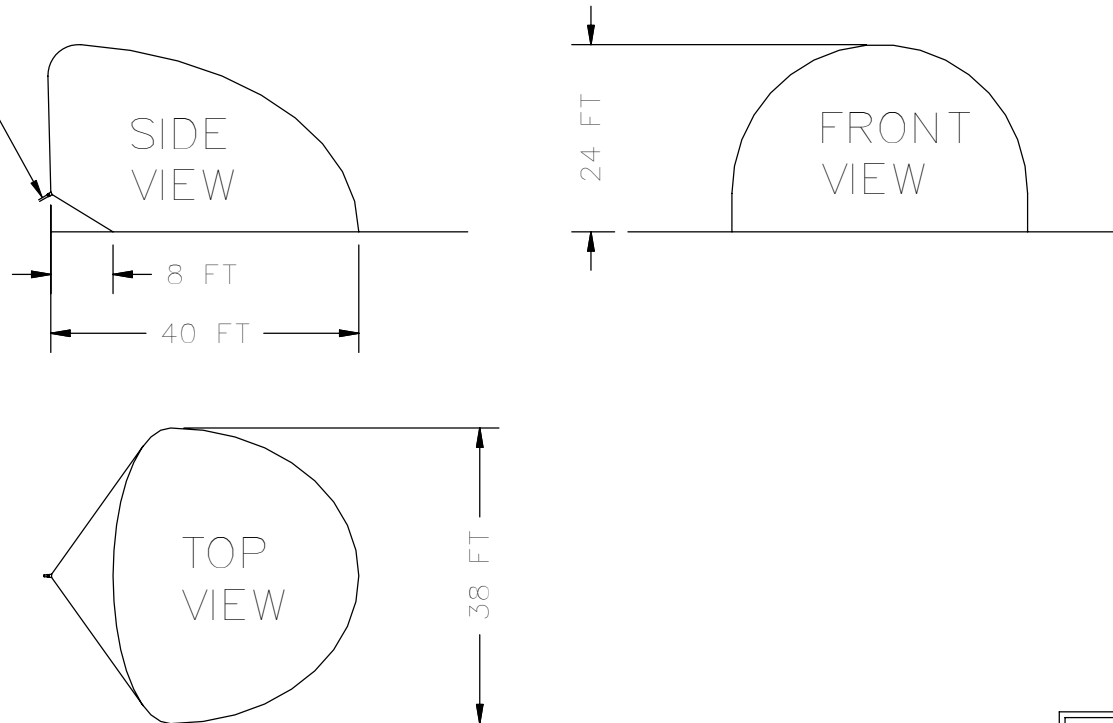
TASK FORCE TIPS, INC.
2800 E. EVANS AVE.
VALPARAISO, IN 46383
(219)462-6161

| | |
|----------------------------|-----|
| PRINT DRAWN | |
| 7/29/08 | MAS |
| DESIGN ENGINEER | |
| <i>Robert W. Steingass</i> | |

TFT_MACHSLD.DRT

| | | |
|-------------|-----------------|-------------------------------------|
| ITEM: ZN12A | SHEET 2 of 3 | DESCR: ZN NOZZLE 2.5"-7.5 NH |
| ITEM: ZN13A | SHEET 2 of 3 | DESCR: ZN NOZZLE 2.5"-7.5 NH FEMALE |
| ITEM: ZN11A | SHEET 2 of 3 | DESCR: ZN NOZZLE 2.5"-7.5 NH FEMALE |

TFT INDUSTRIAL NOZZLE
 500 GPM AT 100 PSI
 5 FT ABOVE GROUND
 30° ELEVATION WIDE FOG



DIMENSIONS IN INCHES [mm]

NOTE: BREAK SHARP CORNERS .01" MIN.

TOLERANCES: UNLESS SPECIFIED OTHERWISE

| | |
|--------------|------------------|
| X.XXXX ±.005 | FRACT ±1/64 |
| X.XXX ±.005 | ANGLE ± 1° |
| X.XX ±.01 | X = NOT TO SCALE |
| X.X ±.1 | |

| | | | |
|----------------|-----|----------------|---------|
| PRINT APPROVED | | PRINT CHNG ENG | |
| 8/25/10 | TLH | 8/24/10 | MJS |
| SCALE: HALF | | REV | DATE |
| | | 6 | 8/24/10 |
| | | INIT | CPD |



TASK FORCE TIPS, INC.
 2800 E. EVANS AVE.
 VALPARAISO, IN 46383
 (219)462-6161

PRINT DRAWN
 7/29/08 MAS

DESIGN ENGINEER
 Robert W. Steingass

ITEM: ZN12A

SHEET
 3 of 3

DESCR: ZN NOZZLE 2.5"-7.5 NH

ITEM: ZN13A

SHEET
 3 of 3

DESCR: ZN NOZZLE 2.5"-7.5 NH FEMALE

ITEM: ZN11A

SHEET
 3 of 3

DESCR: ZN NOZZLE 2.5"-7.5 NH FEMALE