


1/8 SCALE

DIMENSIONS IN INCHES [mm]				
PRINT APPROVED		PRINT CHNG ENG		
12/21/06	LRS	12/21/06	LRS	
SCALE: 1/4		REV	DATE	INIT
		3	12/21/06	CPD
		PRINT DRAWN		
TASK FORCE TIPS, INC. 3701 INNOVATION WAY VALPARAISO, IN 46383 USA (219)462-6161		9/30/05		CPD
		DESIGN ENGINEER		
		<i>Brian Tylisz</i>		

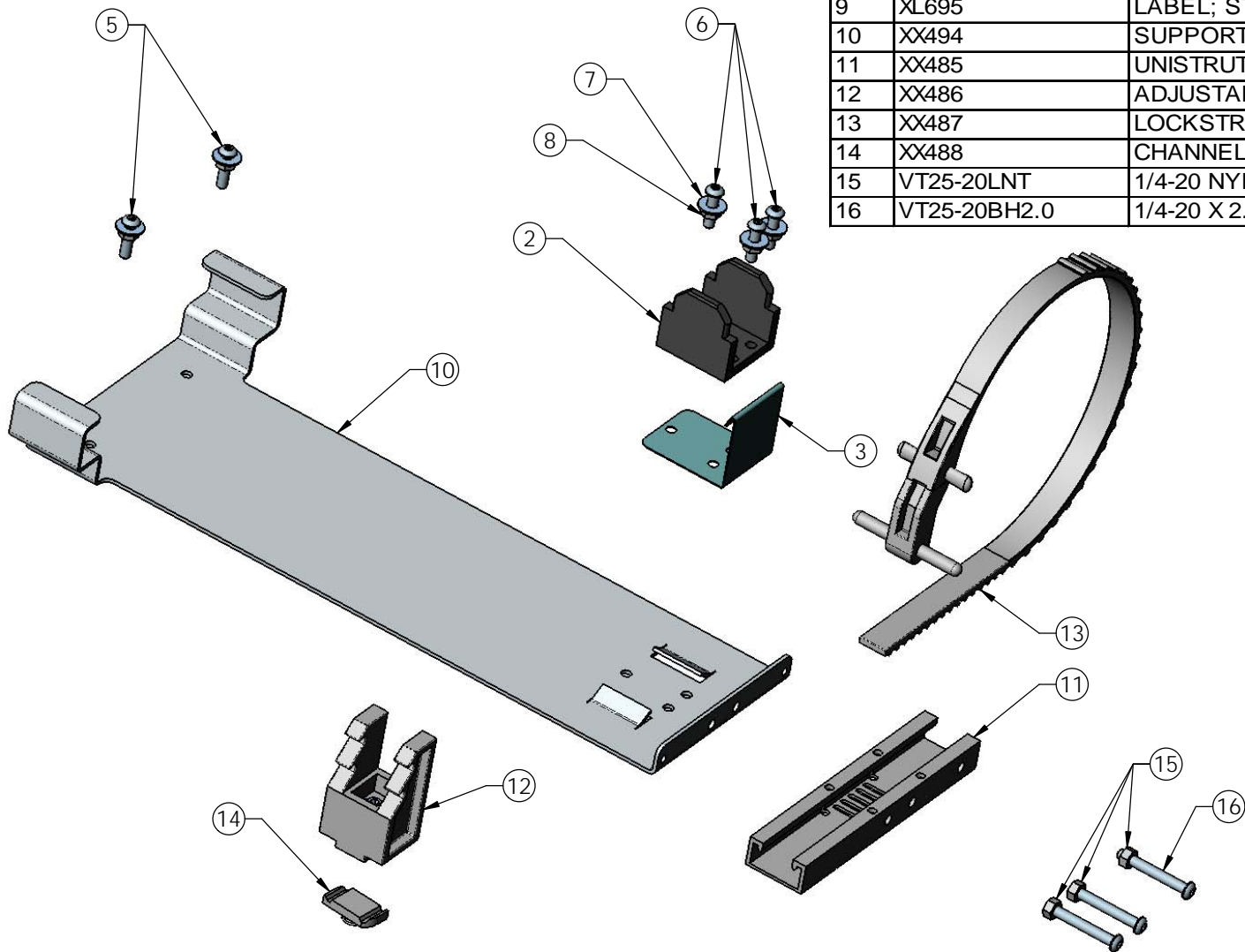
ITEM: XX-B

SHEET  
1 of 2

DESCR: STORAGE BRACKET - BLITZFIRE

EXTRA DESCR: WITH NOZZLE STRAP

#	PART	DESCRIPTION	QTY
2	XX491	FRONT BRACKET	1
3	XX495	LATCH	1
5	VT25-20ST750	1/4-20 X 3/4 SELF TAPPING	2
6	VT25-20ST1.0	1/4-20 X 1 SELF TAPPING	3
7	VW687X281-50	FLAT WASHER 1/4"	5
8	VT25-20NT	1/4-20 HEX NUT	5
9	XL695	LABEL; STORAGE BRACKET BLITZFIRE	1
10	XX494	SUPPORT BRACKET	1
11	XX485	UNISTRUT	1
12	XX486	ADJUSTABLE LOCKEND MODULE	1
13	XX487	LOCKSTRAP 18" BLACK	1
14	XX488	CHANNEL NUT SHORT SPRING 1/4-20	1
15	VT25-20LNT	1/4-20 NYLOCK HEX NUT	3
16	VT25-20BH2.0	1/4-20 X 2.0" LONG BUTTON HEAD	3



DIMENSIONS IN INCHES [mm]			
PRINT APPROVED		PRINT CHNG ENG	
12/21/06	LRS	12/21/06	LRS
SCALE: 1/4		REV	DATE
		3	12/21/06
		INIT	
		CPD	
		PRINT DRAWN	
		9/30/05	CPD
		DESIGN ENGINEER	
		<i>Brian Tylisz</i>	

**TFT**  
 TASK FORCE TIPS, INC.  
 3701 INNOVATION WAY  
 VALPARAISO, IN 46383 USA  
 (219)462-6161

ITEM: XX-B

SHEET  
2 of 2

DESCR: STORAGE BRACKET - BLITZFIRE

EXTRA DESCR: WITH NOZZLE STRAP

TFT\_APLRIST.SLDDRT