

1 2 3 4 5 6 7 8

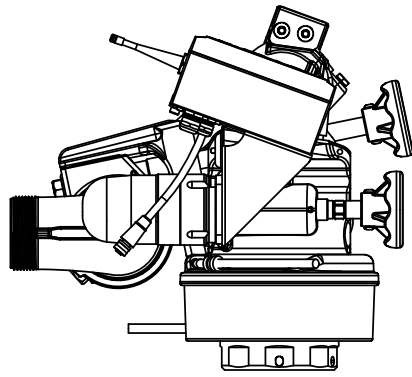
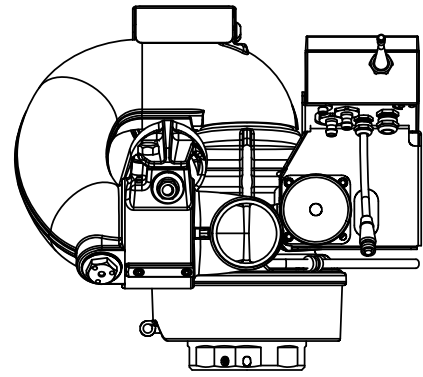
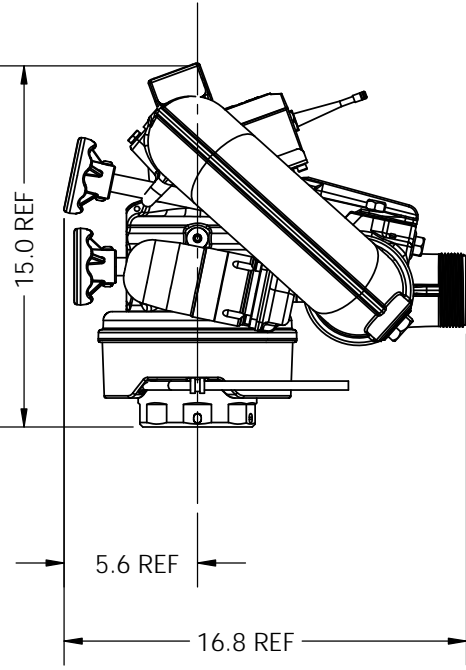
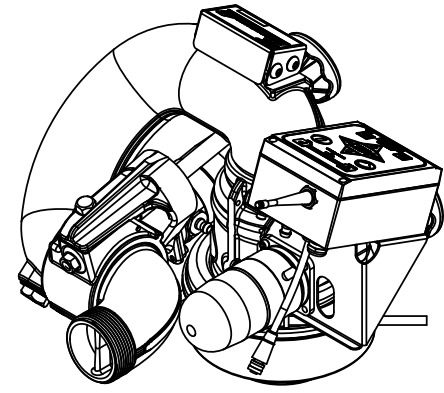
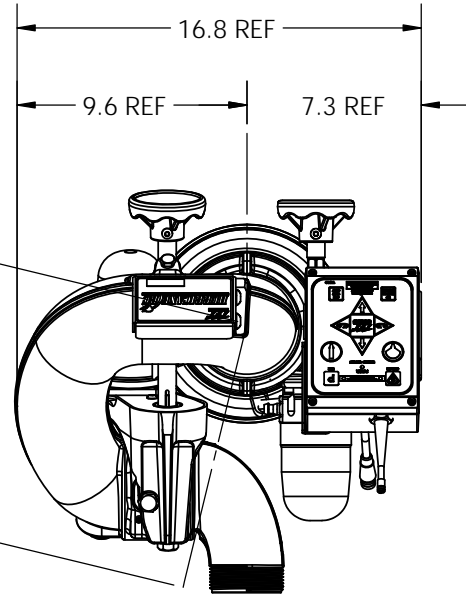
A


B

C

D

E



DIMENSIONS IN INCHES [mm]				
PRINT APPROVED		PRINT CHNG ENG		
8/7/13	LRS			
SCALE: 1/8x		REV	DATE	INIT
 TASK FORCE TIPS, INC. 3701 INNOVATION WAY VALPARAISO, IN 46383 USA (219)462-6161		PRINT DRAWN		
		8/7/13	CPW	
		DESIGN ENGINEER		

ITEM: XFIH-EP1A

SHEET
1 of 1

DESCR: HURRICANE RC CODE RPF INLET

TFT_APRLIST.SLDDRW

EXTRA DESCR: 2.5"NH OUTLET ALUM- DIRECT TO X-GUN RC4