



# PROTECTOR MONITOR

## Fixed Monitor

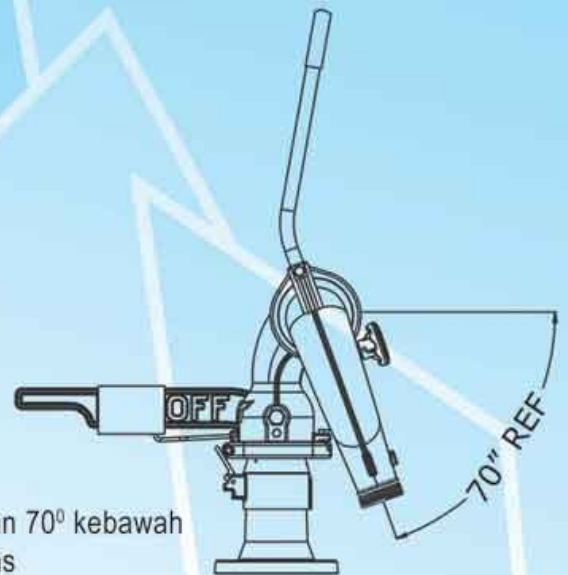
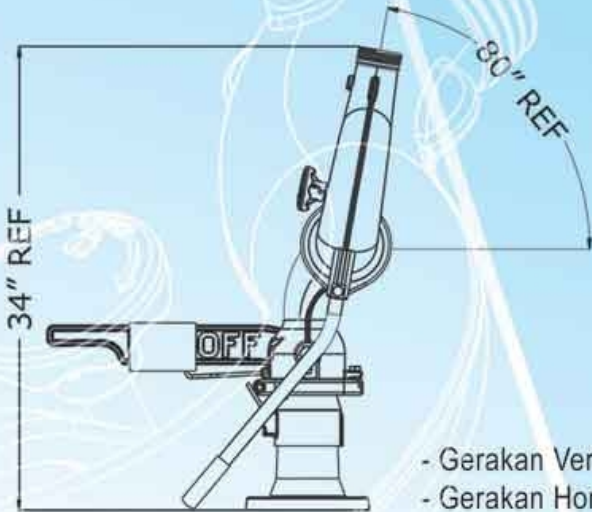


- Flow rate : 0-1250 gpm (0-4750 l/min)
- Maximum Pressure : 250 psi (17 bar)
- Operation : Manual
- Horizontal Control : Tiller Bar with Lever Action  
Rotational Lock
- Horizontal Movement : Continuous 360°
- Vertical Control : Tiller Bar with Lock Knob
- Vertical Movement : -70° ~ +80°
- On / Off Valve : Available  
(Stainless ball valve)
- Material : Hardcoat Anodized  
ANSI 356-T6 aluminium
- Finish : Powder coated Fire Engine Red  
(Inside and outside)

MONITOR PROTECTOR DENGAN NOZZLE MASTER STREAM OPTIONAL

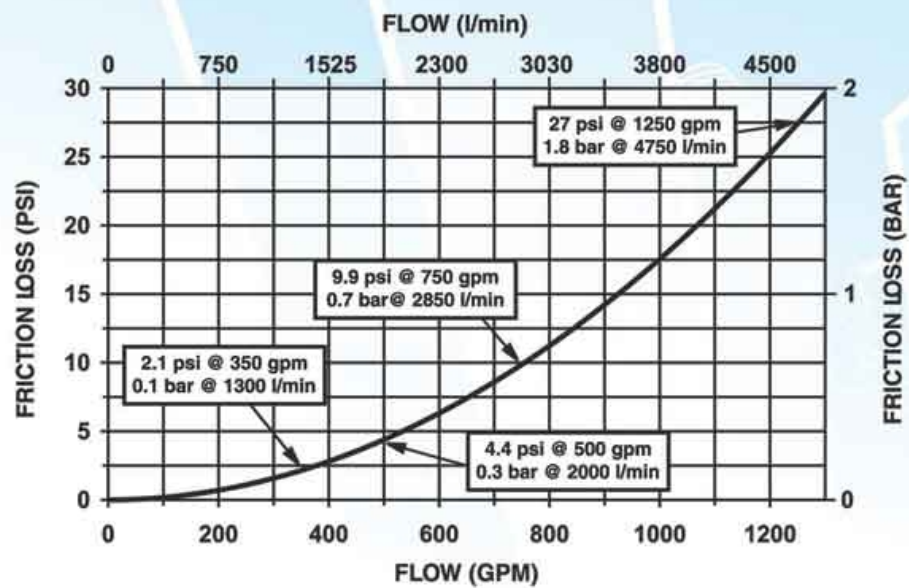


PROTECTOR MONITOR DENGAN NOZZLE MASTER FOAM DAN MASTER STREAM



- Gerakan Vertikal bisa 80° keatas dan 70° kebawah
- Gerakan Horizontal 360° tanpa batas

### PRESSURE LOSS



Optional :



#### MASTER FOAM - SELF-EDUCING FOAM NOZZLE

- ZMF10A : 250 gpm @ 100 psi
- ZMF11A : 350 gpm @ 100 psi
- ZMF12A : 500 gpm @ 100 psi
- ZMF13A : 750 gpm @ 100 psi



#### MASTER STREAM NOZZLE

- M-R1000 : Mastres Stream Automatic 150-1000 gpm @ 100 psi
- M-RS1000 : Master Stream Selectable Flow 250/350/500/750/1000 gpm @ 100 psi
- M-RF1000 : Master Stream Fixed Flow - factory preset at customer specification, max 1000 gpm @ 100 psi
- M-R1250S : Master Stream Automatic 150-1250 gpm @ 100 psi



**Task Force Tips, Inc.**  
 2800 E. Evans Avenue  
 Valparaiso, IN 46383-6940  
 800-348-2686 ; Fax 219-7155  
 www.tft.com



Agen Tunggal di Indonesia

**PT PALMAS ENTRACO**  
 Jl. K.H. Samanhudi 85, Jakarta Pusat 10710  
 Telp. (021) 381 3811, Fax. (021) 380 2660  
 e-mail : sales@palmas.co.id

