

TASK FORCE TIPS, INC.
 2800 E. EVANS AVE.
 VALPARAISO, IN 46383
 219-462-6161



REV	DATE	INITIALS
1	2/20/01	CPD
2	8/5/09	CPD
3	11/20/09	CPD

SCALE: 1/2x

PRINT DRAWN

2/15/01 JRK

PRINT APPROVED

11/29/09 JZL

DESIGN ENGINEER

John R. Kiersma

DIMENSIONS IN 'INCHES' UNLESS SPECIFIED OTHERWISE

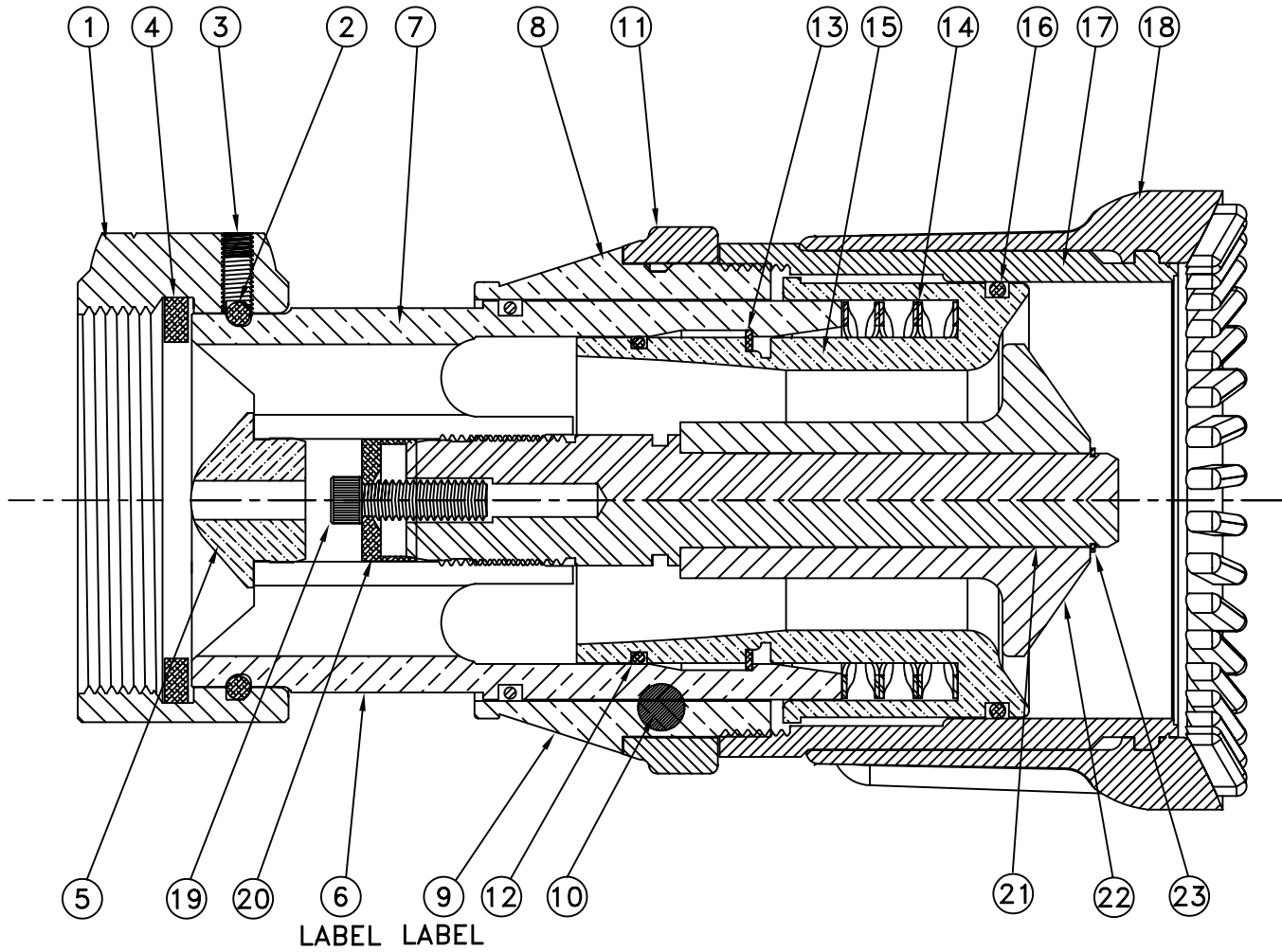
FILE: M\FIN & SUB\MD14A

PART NUMBER: MD14A


SHEET
1 OF 4

DESCRIPTION: MAX-FLOW TIP 2.5" FEMALE

EXTRA DESC: 500GPM @ 100 PSI FIXED GALLONAGE ALUM



TASK FORCE TIPS, INC.
 2800 E. EVANS AVE.
 VALPARAISO, IN 46383
 219-462-6161



REV	DATE	INITIALS
1	2/20/01	CPD
2	8/5/09	CPD
3	11/20/09	CPD

SCALE: 2/3x
 PRINT DRAWN 2/15/01 JRK
 PRINT APPROVED 11/29/09 JZP
 DESIGN ENGINEER John R. Kiersma

DIMENSIONS IN 'INCHES' UNLESS SPECIFIED OTHERWISE
 FILE: M\FIN & SUB\MD14A

PART NUMBER: MD14A

SHEET
2 OF 4

DESCRIPTION: MAX-FLOW TIP 2.5" FEMALE

EXTRA DESC: 500 GPM @ 100 PSI FIXED GALLONAGE ALUM

**MAX – FLOW NOZZLE
MODEL: MD14A
PARTS LISTING - SHEET 3 OF 4**

#	Description	Qty	Part Number
1	2.5 NH COUPLING ROCKERLUG	1	M307N
2	3/16" BALL - 302 STAINLESS STEEL	48	V2120
3	1/4-28 X 1/2 SOCKET SET	1	VT25-28SS500
4	2.5 COUPLING GASKET, 3.250 X 2.500 X .1875 CUT	1	V3190
5	T.O. PLUG	1	MD591
6	BARREL LABEL	1	MD741
7	FIN CAN/BARREL	1	MD545
8	SHAPER GUIDE	1	MD510
9	NAME LABEL	1	MD747
10	.375" BALL - TORLON	3	VB375TO
11	SPACER RING	1	MD513
12	O-RING-143 2-7/16 ID 3/32 C/S	1	VO-143
13	WS-250-SO2 SMALLEY RING 2.394/2.369 ID	1	VR4240
14	FLUSH WAVE SPRING	1	MD785
15	BARREL CONE	1	MD520
16	O-RING-236 3 ¼ ID 1/8 C/S	1	VO-236
17	SHAPER	1	MD500
18	BUMPER	1	Z700
19	5/16-18 x 1.0" SOC. HEAD CAP	1	VT31-18SH1.0
20	LOCKING SLEEVE	1	MD571
21	SHAFT	1	MD570
22	MAX-FLOW BAFFLE	1	MD568
23	WST-75-SO2 SMALLEY RING .708/.695 ID	1	VR4245
24	O-RING -233	1	VO-233

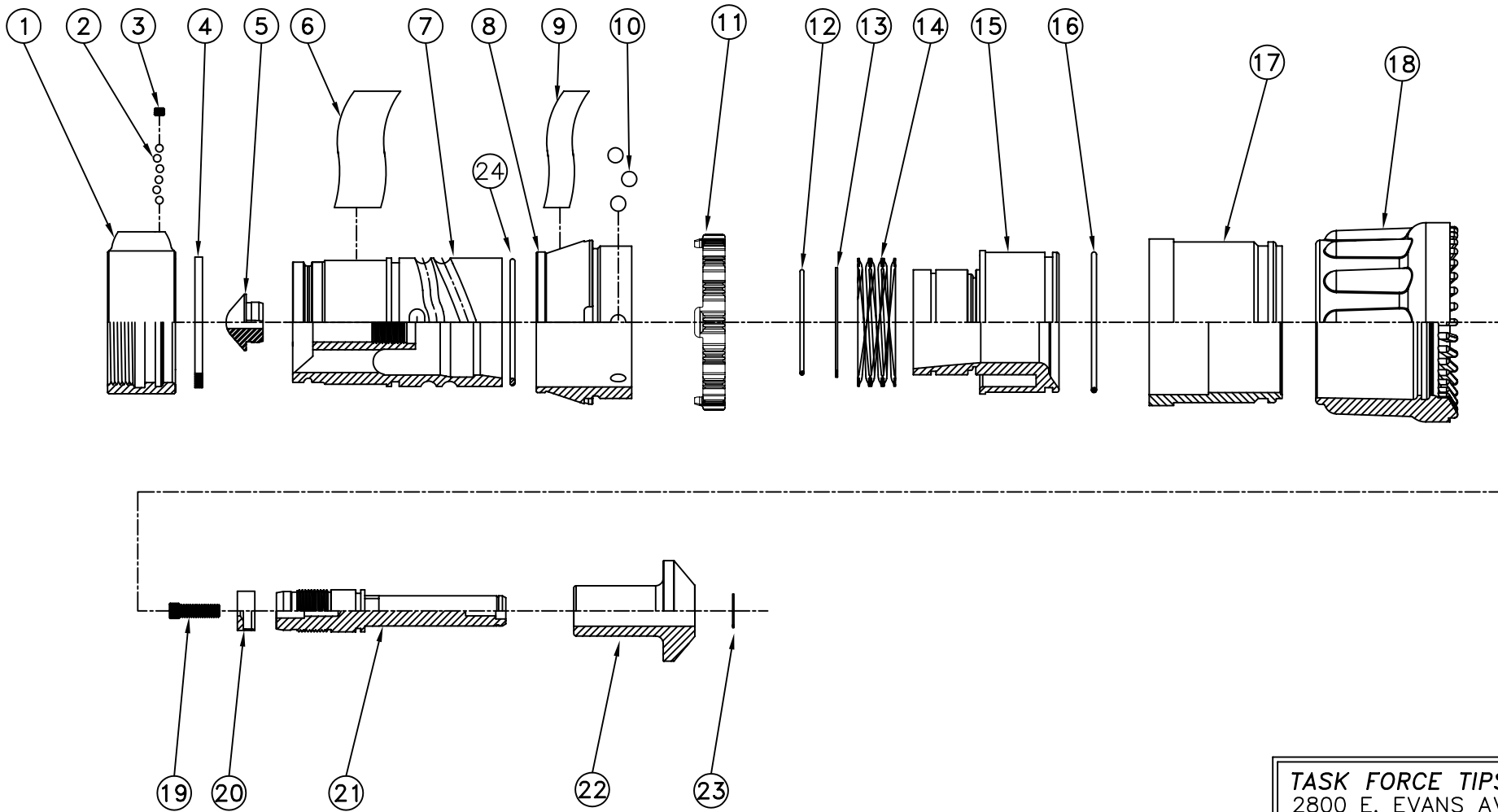
FILENAME: CIMNET_DATA\MMD14A\PARTS LIST.doc

DRAWN: 2/15/01 BY: JRK


REVISION #:3 CPD 11/20/09

APPROVED BY: 11/23/09 TLH

PARTS LIST TO BE USED WITH: SHEET 2 OF 4, CROSS SECTION



TASK FORCE TIPS, INC.
 2800 E. EVANS AVE.
 VALPARAISO, IN 46383
 219-462-6161



REV	DATE	INITIALS
1	2/20/04	CPD
2	8/5/09	CPD
3	11/20/09	CPD

SCALE: 1/4x
 PRINT DRAWN 2/15/01 JRK
 PRINT APPROVED 11/29/09 JZL
 DESIGN ENGINEER John R. Kiersma

DIMENSIONS IN 'INCHES' UNLESS SPECIFIED OTHERWISE
 FILE: M\FIN & SUB\MD14A

PART NUMBER: MD14A

DESCRIPTION: MAX-FLOW TIP 2.5" FEMALE

EXTRA DESC: 500 GPM @ 100 PSI FIXED GALLONAGE ALUM

SHEET 4 OF 4