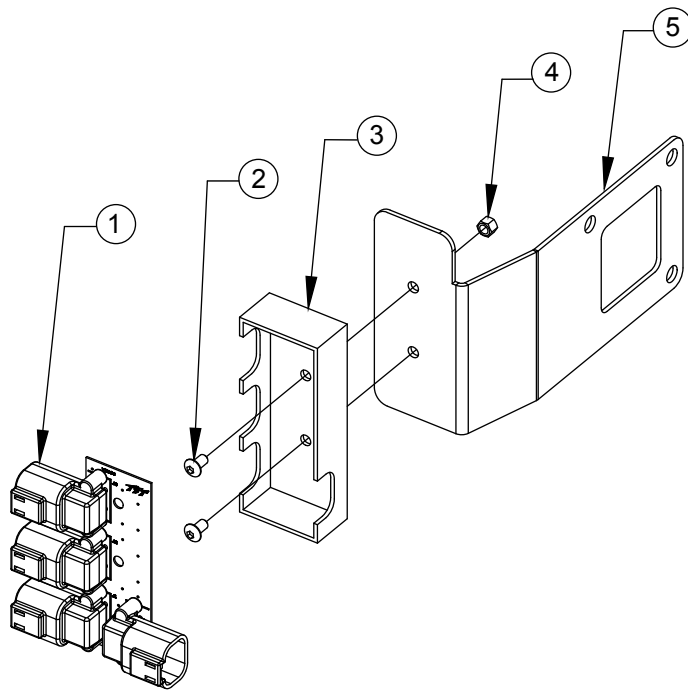


ITEM #	DESCRIPTION	QTY	PART #
1	GREASE FITTING	2	VT25-28ZERK
2	3/8-24 X 3/8 SOCKET SET SCREW	4	VT37-24SS375
3	5/16" TORLON BALL (30) PER RACE	120	VB.312TO
4	3/8-24 X 1/4 SOCKET SET SCREW	2	VT37-24SS250
5	O-RING-233	2	VO-233
6	EXIT ELBOW ALUMINUM	1	Y2310A
7	O-RING-145	1	VO-145
8	1/4-20 X 5/16 BUTTON HEAD SCREW	2	VT25-20BH312
9	THREAD ADAPTER 2.5"NHM ALUMINUM	1	Y2320ANJ
	THREAD ADAPTER 1.5"NHM ALUMINUM		Y2325ANF
	THREAD ADAPTER 2.5"BSP ALUMINUM		Y2320ABJ
	THREAD ADAPTER 1.5"BSP ALUMINUM		Y2325ABF
10	LOWER SECTION RC ALUMINUM	1	Y2110A
11	OVERRIDE KNOB	2	Y4165
12	OVERRIDE KNOB LABEL	2	Y4176
13	1/4-20 X 1/2 BUTTON HEAD SCREW	4	VT25-20BH500
14	LABEL BRACKET	1	Y2120
15	NAME LABEL: TORNADO RC	1	Y2122
16	1/4-28 X 1/2 BUTTON HEAD SCREW	2	VT25-28BH500
17	2.5" ANSI 150	1	Y2418
18	3/8 LOOP CLAMP	1	Y4655
19	1/4-20 X 3/8 BUTTON HEAD CAP SCREW	1	VT25-20BH375
20	BALL 5/16" STAINLESS	1	VB.312
21	HEADED BUSHING	2	Y4141
22	12 DP WORM	1	X220
23	DRIVE SHAFT	2	Y4163
24	KEY	2	X225
25	MALE THREADED BUSHING	2	Y2175
26	FEMALE THREADED BUSHING	2	Y2176
27	BEARING	2	VM4252
28	WASHER	2	VW97X595-048
29	SMALLEY RING	2	VR4365
30	BEARING RETAINER	2	Y2160
31	JUNCTION BOX SUBASSEMBLY	1	SEE SECTION 11.8
32	VERTICAL MOTOR SUBASSEMBLY	1	AX1660
	HORIZONTAL MOTOR SUBASSEMBLY	1	AX1661
33	1/4-28 X 5/8 SOCKET HEAD SCREW	7	VT25-28SH626



ITEM #	DESCRIPTION	QTY	PART #
1	BOARD - LT MONITOR JUNCTION BOX	1	Y5680
2	8-32 X 5/16 BUTTON HEAD CAP SCREW	2	VT08-32BH312
3	ENCLOSURE - LT MONITOR POTTING BOX	1	Y5685
4	#8-32 HEX NUT	2	VT08-32NT
5	JUNCTION BOX BRACKET	1	Y2140