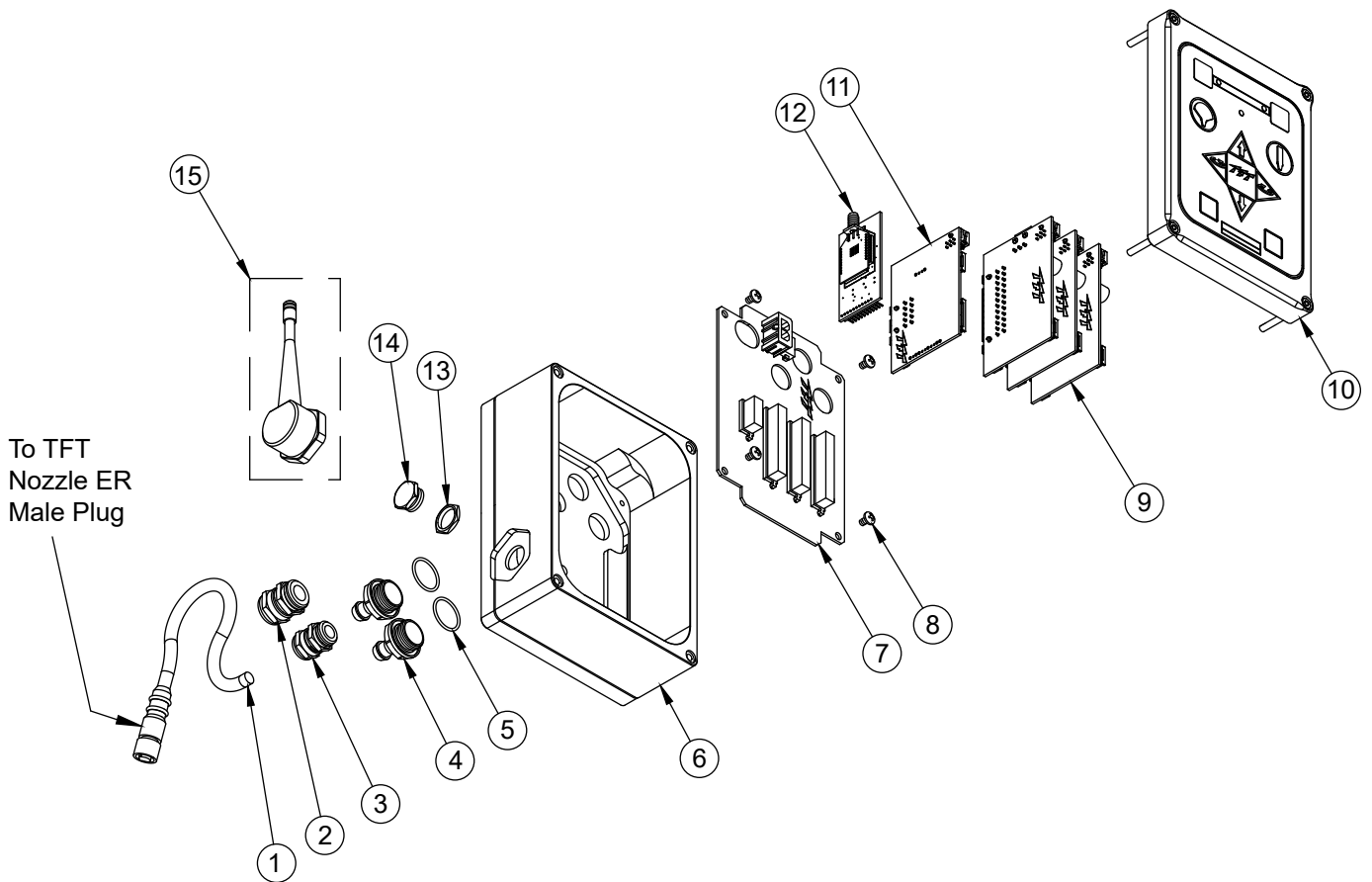


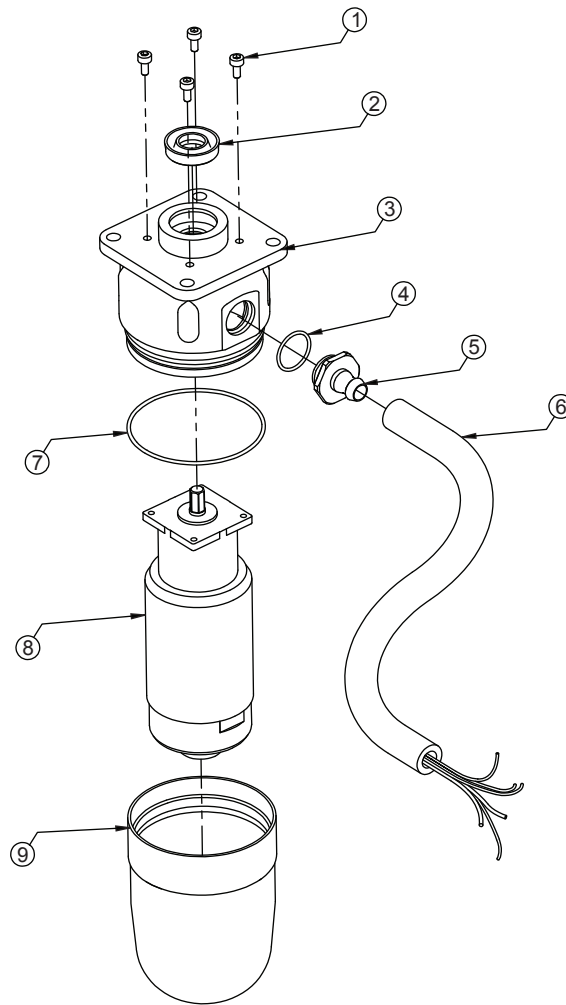
ITEM #	DESCRIPTION	QTY	PART #
1	QUICK CONNECT	1	Y2440A
2	GASKET - 2.5" HOSE COUPLING	1	V3190
3	1/4-28 X 1/2 SOCKET SET SCREW	1	VT25-28SS500
4	3/16" TORLON BALL	48	V2120-TORLON
5	COUPLING 2.5"NH	1	M306
10	1/4-20 HEX NUT	1	VT25-20NT
11	3/8 LOOP CLAMP	1	Y4655
12	WIRE CLAMP BRACKET	1	Y2135
13	1/4-20 X 3/8 BUTTON HEAD SCREW	1	VT25-20BH375
14	5/16" SS BALL	1	VB.312
15	BASE - QUICK CONNECT ALUMINUM	1	Y2411A
16	O-RING-233	2	VO-233
20	1/4-28 X 1/2 BUTTON HEAD SCREW	2	VT25-28BH500
21	LABEL BRACKET	1	Y2120
22	NAME LABEL: TORNADO RC	1	Y2122
23	1/4-20 X 1/2 BUTTON HEAD SCREW	4	VT25-20BH500
24	OVERRIDE KNOB	2	Y4165
25	LOWER SECTION RC ALUMINUM	1	Y2110A
26	THREAD ADAPTER 2.5"NHM ALUMINUM	1	Y2320ANJ
	THREAD ADAPTER 1.5"NHM ALUMINUM		Y2320ANF
	THREAD ADAPTER 2.5"BSPM ALUMINUM		Y2320ABJ
27	EXIT ELBOW ALUMINUM	1	Y2311A
30	BLACK DOME PLUG	2	VM4124
31	5/16" TORLON BALL (30) PER RACE	120	VB.312TO
32	3/8-24 X 3/8 SOCKET SET SCREW	4	VT37-24SS375
33	GREASE FITTING	2	VT25-28ZERK
34	HEADED BUSHING	2	Y4141
40	DRIVE SHAFT	2	Y4163
41	KEY	2	X225
42	WORM GEAR SINGLE LEAD	2	X220
43	MALE THREADED BUSHING	2	Y2175
44	FEMALE THREADED BUSHING	2	Y2176
45	BEARING	2	VM4252
46	WASHER	2	VW938X591-03
47	SMALLEY RING	2	VR4365
48	BEARING RETAINER	2	Y2160
50	MOTOR SUBASSEMBLY	2	SEE SECTION 9.4
51	1/4-28 X 5/8 SOCKET HEAD SCREW	10	VT25-28SH625
52	CONTROL BOX BRACKET	1	Y2130
53	CONTROL BOX SUPPORT	1	Y2131
54	CONTROL BOX SUBASSEMBLY	1	SEE SECTION 9.3
55	SMALLEY RING	1	VR4310
56	PULL PIN	1	XX340
57	SPACER	1	Y2319
58	SPRING	1	XX342
59	PULL PIN HOUSING	1	X350
60	1/8 X 3/4 HDP SPIROL PIN	1	VP125X750H
61	PULL KNOB	1	XX341
62	O-RING-145	1	VO-145
63	1/4-20 X 5/16 BUTTON HEAD SCREW	2	VT25-20BH312
64	CONTROL BOX SUPPORT	1	Y2132
65	SOCKET HEAD CAP SCREW	1	VT37-24SH500
66	WASHER	1	VW687E259-50

MONITOR CONTROL BOX



#	DESCRIPTION	QTY	PART #
1	CABLE - 6 POLE FEMALE PLUG	10" TOTAL LENGTH USED	Y5475
	FOR TORNADO RC NOZZLE CONNECTION	5" EXPOSED CABLE (NOT INCLUDING PLUG)	
2	PG11 STRAIN RELIEF	1	Y5205
3	PG9 STRAIN RELIEF	1	Y5245
4	CONDUIT FITTING	2	Y5213
5	O-RING-018	2	VO-018
6	ENCLOSURE BOX	1	Y5116B
7	MAIN BOARD	1	Y5105
8	M4-0.7 X 6MM PHILLIPS HEAD SCREW	4	VTM4-0.7PH6
9	MOTOR CONTROL BOARD	3	Y5100
10	MONITOR CONTROL BOX COVER - SUBASSEMBLY	1	Y5801-LID
11	COMMUNICATION BOARD	1	Y5110-B
*12	RADIO + ADAPTER XBEE TO XSTREAM 900 MHZ RADIO	1	Y5891
	RADIO + ADAPTER XBEE TO XSTREAM 2.4 GHZ RADIO		Y5893
13	PG9 LOCKNUT	1	Y5246
14	PG9 HEX PLUG	1	Y5248
*15	900/920 MHZ ANTENNA W/FITTING & CONN. SUBASSY.	1	Y5897
	2.4 GHZ ANTENNA ADAPTER W/CONN. SUBASSY.		Y5898
* - OPTIONAL			

MOTOR SUBASSEMBLY



ITEM #	DESCRIPTION	QTY	PART #
1	6-32 x 5/16 LONG SHCS WITH HEAD SEAL	4	VT06S32SH312
2	CUP SEAL	1	Y4620
3	MOTOR SOCKET, ANGLED FITTING	1	Y4617
4	O-RING-018	1	VO-018
5	CONDUIT FITTING	1	Y5213
6	HOSE - 3/8" ID PUSH-LOK	1	Y5250
7	O-RING-038	1	VO-038
8	GEAR MOTOR WITH CRIMPED TERMINALS	1	Y4611-B
9	ENCLOSURE	1	Y4616