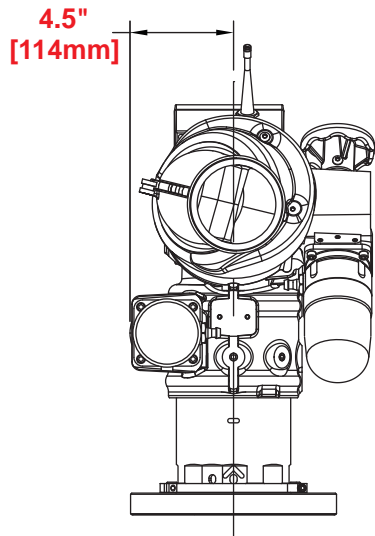
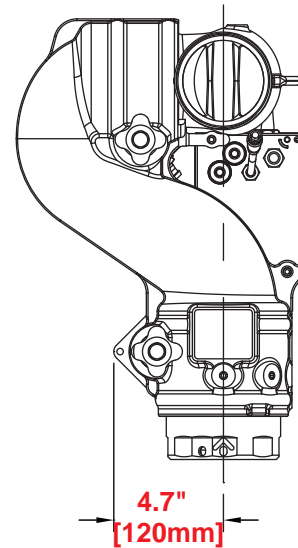


FIELD INSTALLATION INSTRUCTIONS FOR ANTI-BACK-DRIVE KIT (Y4917-KIT)

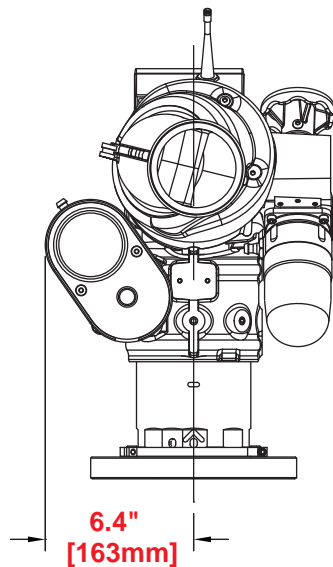
1. The anti-backdrive gearbox adds to the size of the monitor (see Figure 1). Ensure sufficient clearance is provided, including clearance for road vibration, to avoid damage to the vehicle.



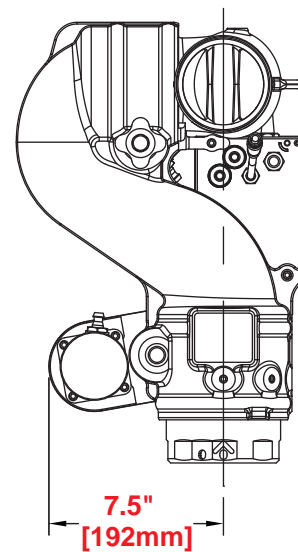
Monsoon RC
BEFORE Anti-Back-Drive Gearbox



Typhoon RC
BEFORE Anti-Back-Drive Gearbox



Monsoon RC
AFTER Anti-Back-Drive Gearbox



Typhoon RC
AFTER Anti-Back-Drive Gearbox

Figure 1

2. Remove the screws that secure the horizontal motor to the monitor and remove the motor. These screws will be reused to secure the gearbox. Be sure to support the motor to prevent it from falling.



Figure 2

3. Remove the horizontal override knob. The screws will be reused to attach the knob to gearbox, for consistency only.



Figure 3

4. Remove the cover plate from the gearbox assembly (Y4917).



Figure 4

5. Remove the gears. Care should be taken to ensure the lock mechanism and bushings remain in place.



Figure 5A



Figure 5B

6. Install the gearbox to the monitor where the motor was removed and secure with the screws removed in step 1 and blue Loctite (provided). Figure 6A is the correct gearbox orientation for Typhoon monitors and Figure 6B is the correct gearbox orientation for Monsoon monitors.



Figure 6A Typhoon Monitors



Figure 6B Monsoon Monitors

7. Install the gears. The gear with the short shaft goes on the lock mechanism.



Figure 7

8. Install the cover plate and override knob. Secure with VT25-20BH500 button head screws and blue Loctite (provided).



Figure 8

9. Install the motor in the orientation shown. Be sure the cable does not tangle or snag. Secure with (4) VT25-28SH625 socket head screws. Figure 9A is the correct motor orientation for Typhoon monitors and Figure 9B is the correct motor orientation for Monsoon monitors.



Figure. 9A Typhoon Monitor



Figure. 9B Monsoon Monitor

9. Turn the override knob to verify that it turns and the monitor horizontal axis moves.