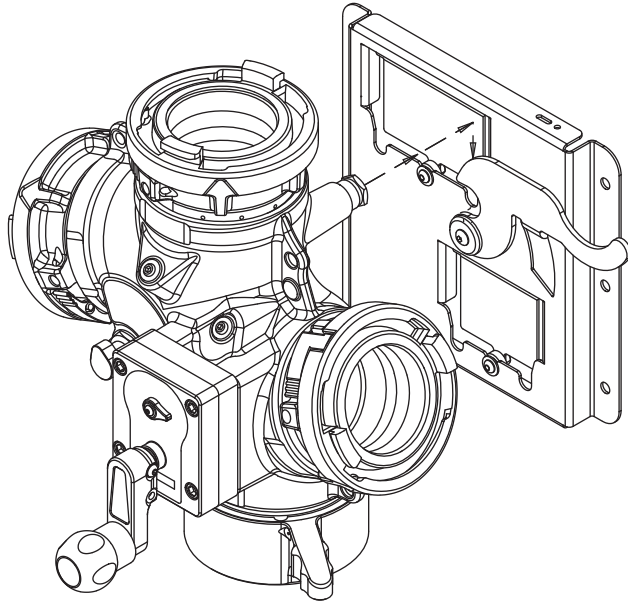


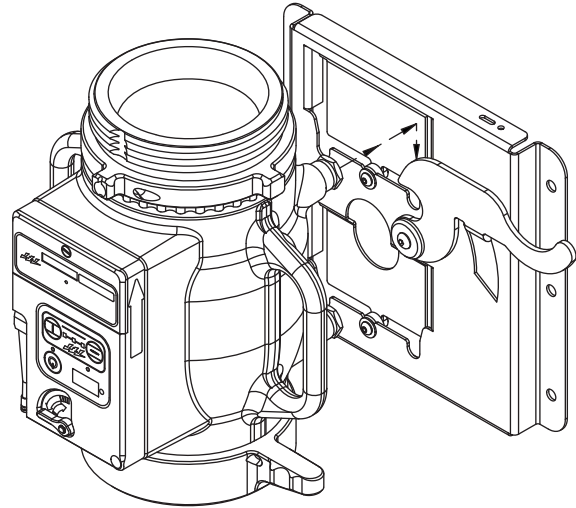


OASIS HYDRANT ASSIST AND HYDRANT MASTER VALVE STORAGE BRACKET

INSTALLATION INSTRUCTIONS



Oasis Hydrant Assist Valve



Hydrant Master Valve

Tools Required: Electric Drill
Drill Bits see instructions for correct size
#3 Phillips Screw Driver
Wrench 7/16 (1/4" bolts); 9/16 (3/8" bolts); adjustable

The Oasis Hydrant Assist and Hydrant Master Valve storage brackets must be securely mounted to a surface capable of supporting the weight of the Valve including any shock loads that may result from rough roads. **It is the responsibility of the installer to determine if the installation is capable of these loads.** The Valve may be mounted on the wall or floor of a compartment.



WARNING This bracket is designed for storage only. Do not use as a mount when flowing water.

The Storage Bracket comes with stainless steel self tapping screws, nuts and lock-washers. If the material beneath the storage bracket is thick and substantial enough, the self-tapping screws may be screwed directly into the mounting surface. If the backside of the mounting surface is accessible, clearance holes may be drilled, and the nuts and lock washers may be used on the backside. **It is the responsibility of the installer to determine if the mounting surface is satisfactory.**

FOR BLIND MOUNTING

Lay out the sheet metal bracket in the area where the valve will be mounted. The end of the bracket with the latch goes toward the valve outlet. Make sure there is enough clearance to get the valve in and out of the bracket and that it does not interfere with other equipment on the truck.

Make sure the material beneath the bracket is substantial and thick enough to hold self-tapping screws as well as the weight of the valve. Make sure the area on the other side of the mounting surface is clear, to avoid wires or other obstructions. Using the bracket for a pattern, drill one hole and screw the bracket to the mounting surface. See the chart on next page to determine the correct hole size. Put the lock washers on the screw before installing. While the first screw holds the bracket from moving, drill the remaining holes and screw in the remaining screws.

TASK FORCE TIPS, INC.
MADE IN USA • www.tft.com

3701 Innovation Way, Valparaiso, IN 46383-9327 USA
800-348-2686 • 219-462-6161 • Fax 219-464-7155

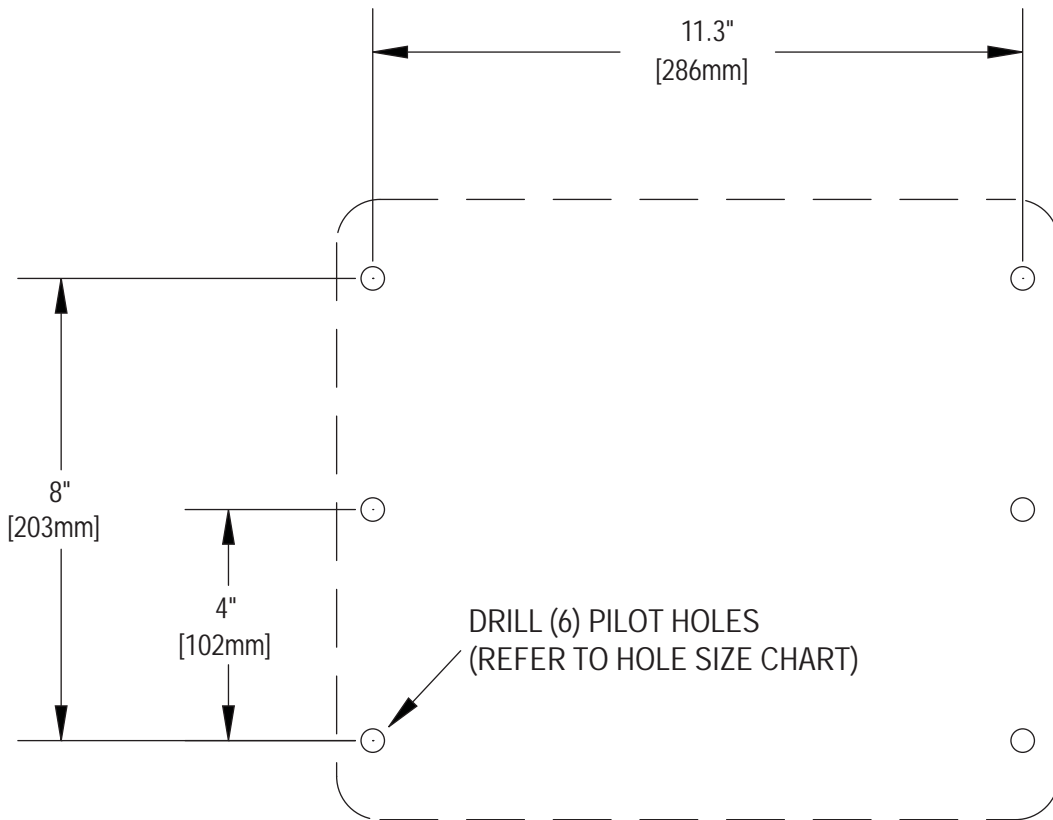
The storage bracket is supplied with (6) stainless steel self-tapping screws. Make sure the area on the back side of the mounting surface is clear of obstructions. The bracket will require 12.5" X 11.1" (317.5 mm X 281.9 mm) of panel space and adequate clearance should be allowed for the valve and release lever. See the hole size chart for recommended pilot hole sizes.

HOLE SIZE CHART FOR SELF TAPPING SCREWS								
Screw Size	ALUMINUM				STEEL			
	Material Thickness	Hole Size		Use Drill	Material Thickness	Hole Size		Use Drill
		Inches	mm			Inches	mm	
1/4"	3/32	0.206	5.2	#5	5/64-3/32	0.213	5.4	#3
	1/8	0.213	5.4	#3	1/8	0.221	5.6	#2
	3/16	0.221	5.6	#2	3/16	0.228	5.8	#1
3/8"	1/8	0.328	8.3	21/64	1/8	0.339	8.6	R
	3/16	0.339	8.6	R	3/16	0.348	8.8	S

FOR MOUNTING WHERE THE BACK OF THE MOUNTING SURFACE IS ACCESSIBLE

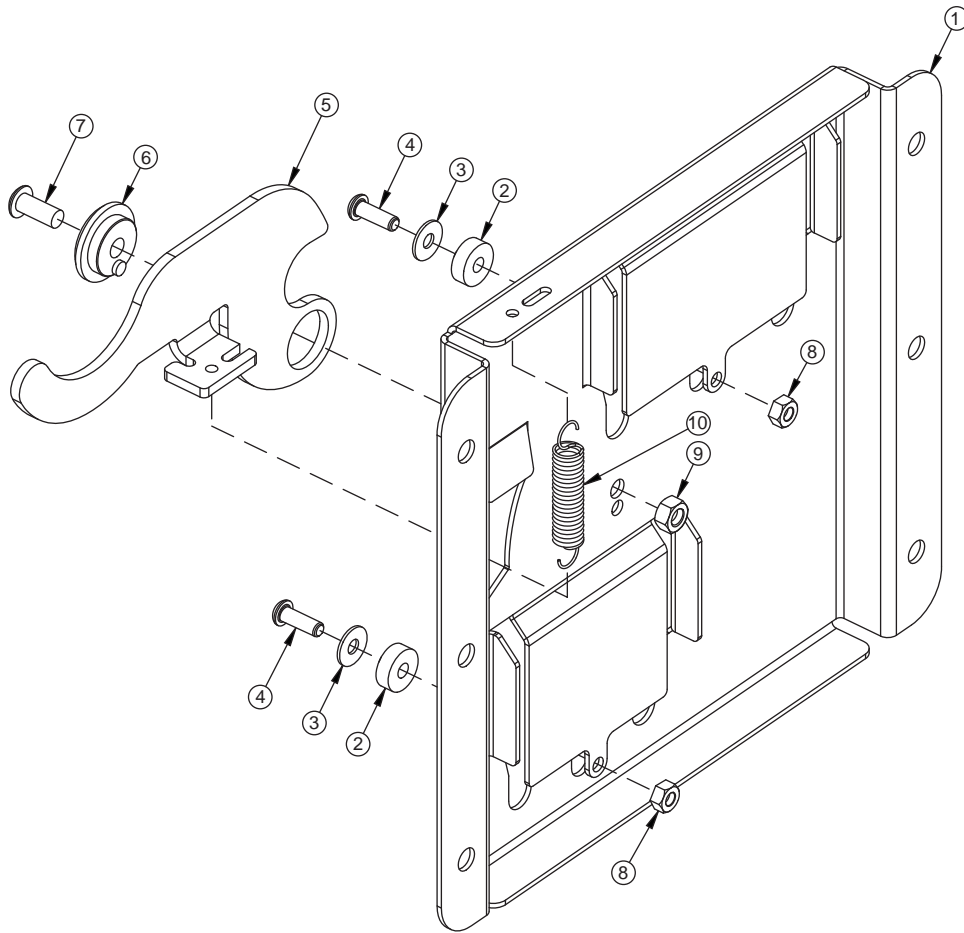
Lay out the sheet metal bracket in the area where the valve will be mounted. The end of the bracket with the latch goes toward the valve outlet. Make sure there is enough clearance to get the valve in and out of the bracket and that it does not interfere with other equipment on the truck.

Make sure the material beneath the bracket is substantial enough to hold the weight of the valve. Make sure the area on the other side of the mounting surface is clear. Using the brackets for a pattern, drill one hole (1/4" (.250-6.4mm) for 1/4" bolts or one 3/8" (.375-9.5mm) for 3/8" bolts) through each bracket and bolt the bracket to the mounting surface from the backside. Put the lock washers on the side with the nut. While the first screw holds the bracket from moving, drill the remaining holes and screw in the remaining screws, nuts and washers.



MOUNT BRACKET WITH (6) SELF-TAPPING SCREWS. TIGHTEN SECURELY.

AR BRACKET PARTS LIST



INDEX #	DESCRIPTION	QTY	PART #
1	STORAGE BRACKET FRAME	1	A2051 (OASIS) A2151 (HYDRANT MASTER)
2	SPACER	2	A2054
3	FLAT WASHER	2	VW687E259-50
4	1/4-20 X 3/4 BUTTON HEAD SCREW	2	VT25-20BH750
5	LATCH	1	A2052
6	LATCH PIVOT	1	A2053
7	5/16-18 X 3/4 BUTTON HEAD SCREW	1	VT31E18BH750
8	1/4-20 HEX NUT	2	VT25-20NT
9	5/16-18 HEX NUT	1	VT31-18NT
10	EXTENSION SPRING	1	A2055

8.0 WARRANTY

Task Force Tips, Inc., 3701 Innovation Way, Valparaiso, IN 46383-9327 (*TFT*) warrants to the original purchaser of its Storage Bracket (*equipment*), and to anyone to whom it is transferred, that the equipment shall be free from defects in material and workmanship during the five (5) year period from the date of purchase.

TFT's obligation under this warranty is specifically limited to replacing or repairing the equipment (or its parts) which are shown by TFT's examination to be in a defective condition attributable to TFT. To qualify for this limited warranty, the claimant must return the equipment to TFT, at 3701 Innovation Way, Valparaiso, IN 46383-9327, within a reasonable time after discovery of the defect. TFT will examine the equipment. If TFT determines that there is a defect attributable to it, TFT will correct the problem within a reasonable time. If the equipment is covered by this limited warranty, TFT will assume the expenses of repair.

If any defect attributable to TFT under this limited warranty cannot be reasonably cured by repair or replacement, TFT may elect to refund the purchase price of the equipment, less reasonable depreciation, in complete discharge of its obligations under this limited warranty. If TFT makes this election, claimant shall return the equipment to TFT free and clear of any liens and encumbrances.

This is a limited warranty. The original purchaser of the equipment, any person to whom it is transferred, and any person who is an intended or unintended beneficiary of the equipment, shall not be entitled to recover from TFT any consequential or incidental damages for injury to person and/or property resulting from any defective equipment manufactured or assembled by TFT. It is agreed and understood that the price stated for the equipment is in part consideration for limiting TFT's liability. Some states do not allow the exclusion or limitation of incidental or consequential damages, so the above may not apply to you.

TFT shall have no obligation under this warranty if the equipment is, or has been, misused or neglected (including failure to provide reasonable maintenance) or if there have been accidents to the equipment or if it has been repaired or altered by someone else.

THIS IS A LIMITED EXPRESS WARRANTY ONLY. TFT EXPRESSLY DISCLAIMS WITH RESPECT TO THE EQUIPMENT ALL IMPLIED WARRANTIES OF MERCHANTABILITY AND ALL IMPLIED WARRANTIES OF FITNESS FOR A PARTICULAR PURPOSE. THERE IS NO WARRANTY OF ANY NATURE MADE BY TFT BEYOND THAT STATED IN THIS DOCUMENT.

This limited warranty gives you specific legal rights, and you may also have other rights which vary from state to state.