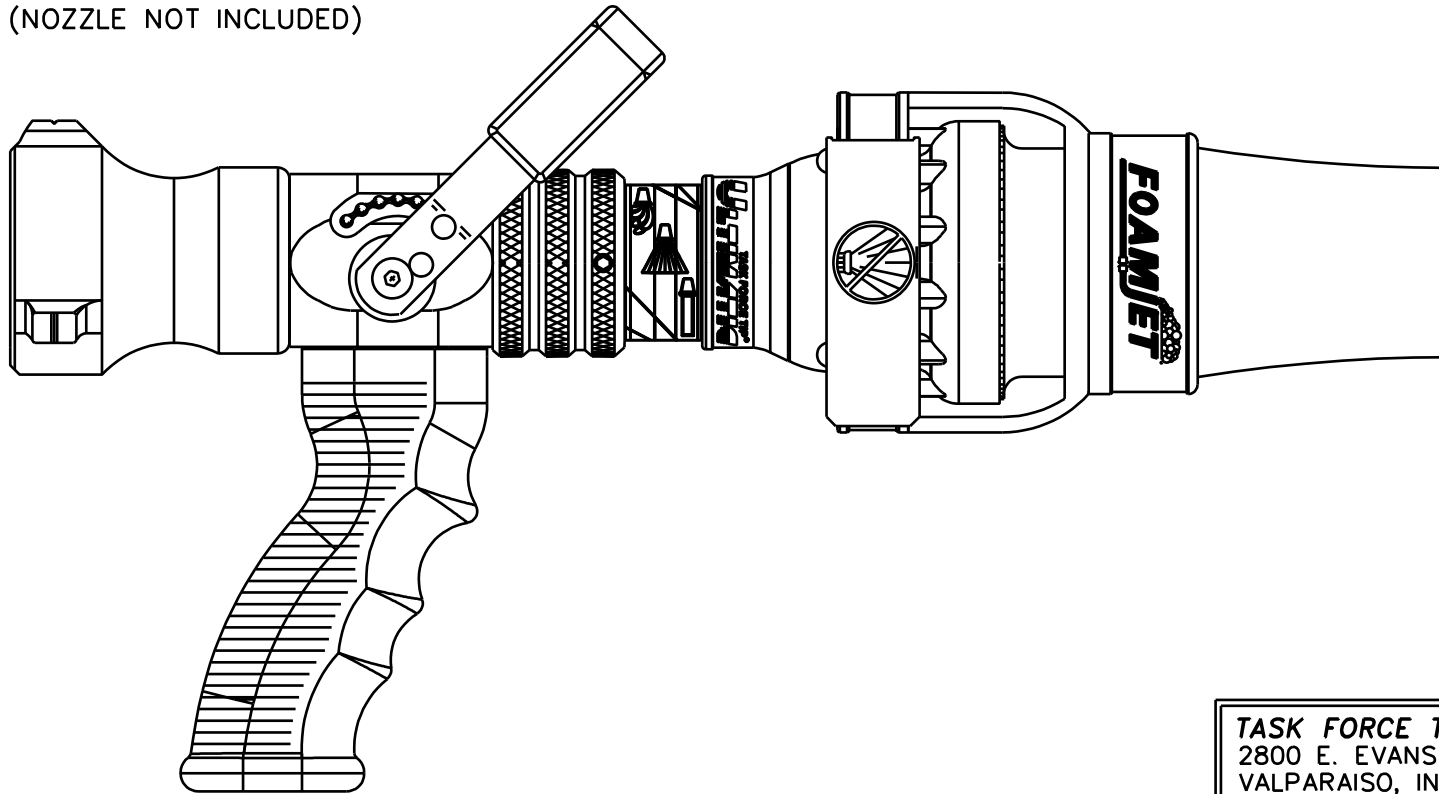


(NOZZLE NOT INCLUDED)



**TASK FORCE TIPS, INC.**  
 2800 E. EVANS AVE.  
 VALPARAISO, IN 46383  
 219-462-6161



REV	DATE	INITIALS

SCALE: 1/2x

PRINT DRAWN

8/31/99 BMH

PRINT APPROVED

9/29/99 RWB

DESIGN ENGINEER

*Robert W. Steingass*

DIMENSIONS IN 'INCHES' UNLESS SPECIFIED OTHERWISE

FILE: F\FIN & SUB\FJ-U

F04-0052-01 REV. 00

PART NUMBER: FJ-U

SHEET  
1 OF 1

DESCRIPTION: FOAMJET - ULTIMATIC - RUBBER

EXTRA DESC: LOW EXPANSION ASPIRATING ATTACHMENT