

EXPLODED VIEW AND PARTS LIST

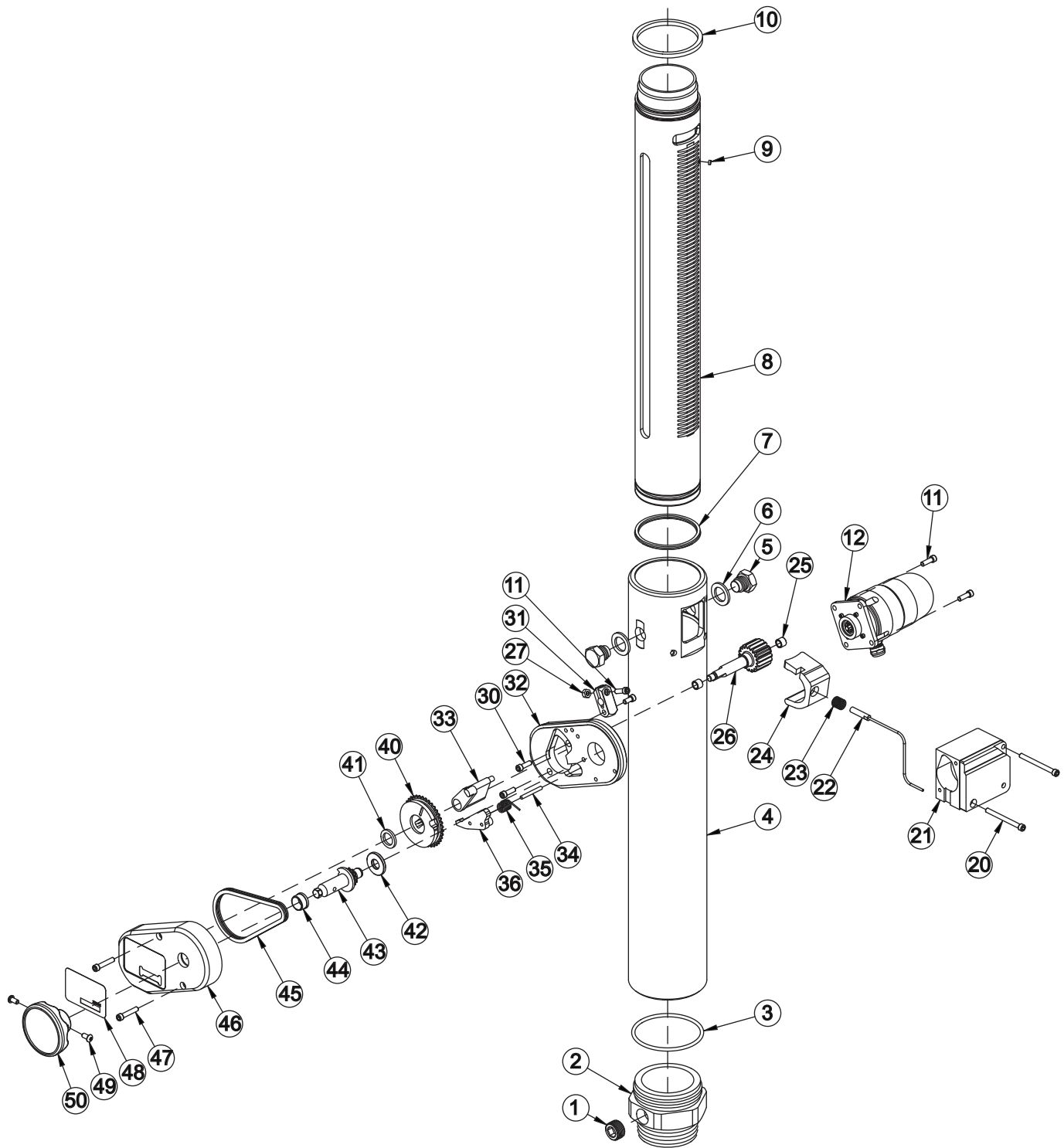


Fig 15

EXTEND-A-GUN RC3 & RC4

ITEM	PART DESCRIPTION	PART #	QTY
1	3/4"NPTM HEX SOCKET PLUG	XG410	1
2	INLET 3.0"NPT MALE	XG405PL	1
	INLET 3.0"BSP MALE (NOT SHOWN)	XG405BL	
	INLET 3.0"VICTAULIC MALE (NOT SHOWN)	XG405VL	
	MALE INLET 4.0"NPT (NOT SHOWN)	XGE505PP	
	MALE INLET 4.0"BSPM (NOT SHOWN)	XGE505BP	
	MALE INLET 4.0" VICTAULIC (NOT SHOWN)	XGE505VP	
3	O-RING-VO-343 3-3/4 ID 3/16 C/S (RC3)	VO-343	1
	O-RING-VO-351 4-3/4 ID X 3/16 C/S (RC4)	VO-351	
4	3" OUTER TUBE 12" TRAVEL	XGE608	1
	3" OUTER TUBE 18" TRAVEL	XGE606	
	4" OUTER TUBE 18" TRAVEL	XGE601	
5	TRUNNION-STATIONARY	XGE610	2
6	WASHER 304 STAINLESS (RC3 ONLY)	VW1.3X88-125	2
7	CUP SEAL 3/16 X 3.375 X 3.750 (RC3)	XG125	1
	CUP SEAL 4.25 X 4.75 X 1/4 (RC4)	XGE380	
8	3" INNER TUBE 12" TRAVEL	XGE607	1
	3" INNER TUBE 18" TRAVEL	XGE605	
	4" INNER TUBE 18" TRAVEL	XGE600	
9	MAGNET	VM4170	1
10	CUP SEAL 3.50"ID X 4.00"OD X 1/4" (RC3)	XGE613	1
	CUP SEAL 4.50"ID X 5.00"OD X 1/4" (RC4)	XGE614	
11	1/4-20 X 3/4 SOCKET HEAD SCREW	VT25-20SH750	4
12	GEAR MOTOR; EXTEND-A-GUN - SUBASSEMBLY	XGA950	1
20	1/4-20 X 2 3/4 SOCKET HEAD SCREW (RC3)	VT25-20SH2.7	2
	1/4-20 X 2 1/2 SOCKET HEAD SCREW (RC4)	VT25-20SH2.5	
21	MOUNTING BLOCK	XGE620	1
22	REED SWITCH	XGE695-KIT	1
23	LATCH SPRING	XGE625	1
24	DOWN LATCH	XGE621	1
25	BUSHING NYLON	X252	2
26	SHAFT WITH GEAR	XGE622	1
27	1/4-20 HEX NUT	VT25-20NT	1
30	1/4-20 X 1/2 SOCKET HEAD SCREW	VT25-20SH500	3
31	3/8 LOOP CLAMP	XGE638	1
32	REDUCER HOUSING	XGE630	1
33	RELEASE LEVER	XGE623	1
34	PIVOT PIN	XX535	1
35	HANDLE TORSION SPRING	A4263	1
36	UP LATCH	XGE633	1
40	SPROCKET 38 TEETH	XGE632	1
41	THIN WASHER	A1530	1
42	BUSHING	XGE637	1
43	DRIVING SPROCKET 12 TEETH	XGE635	1
44	SHORT HEADED BUSHING	XGE634	1
45	58 LINK ROLLER CHAIN	XGE636	1
46	REDUCER COVER	XGE631	1
47	1/4-20 X 1-1/4 SOCKET HEAD SCREW	VT25-20SH1.25	2
48	NAME LABEL: RC3 EXTEND-A-GUN	XGEL630	1
	NAME LABEL: RC4 EXTEND-A-GUN	XGEL640	
49	1/4-20 X 1/2 BUTTON HEAD SCREW	VT25-20BH500	2
50	KNOB	Z245	1